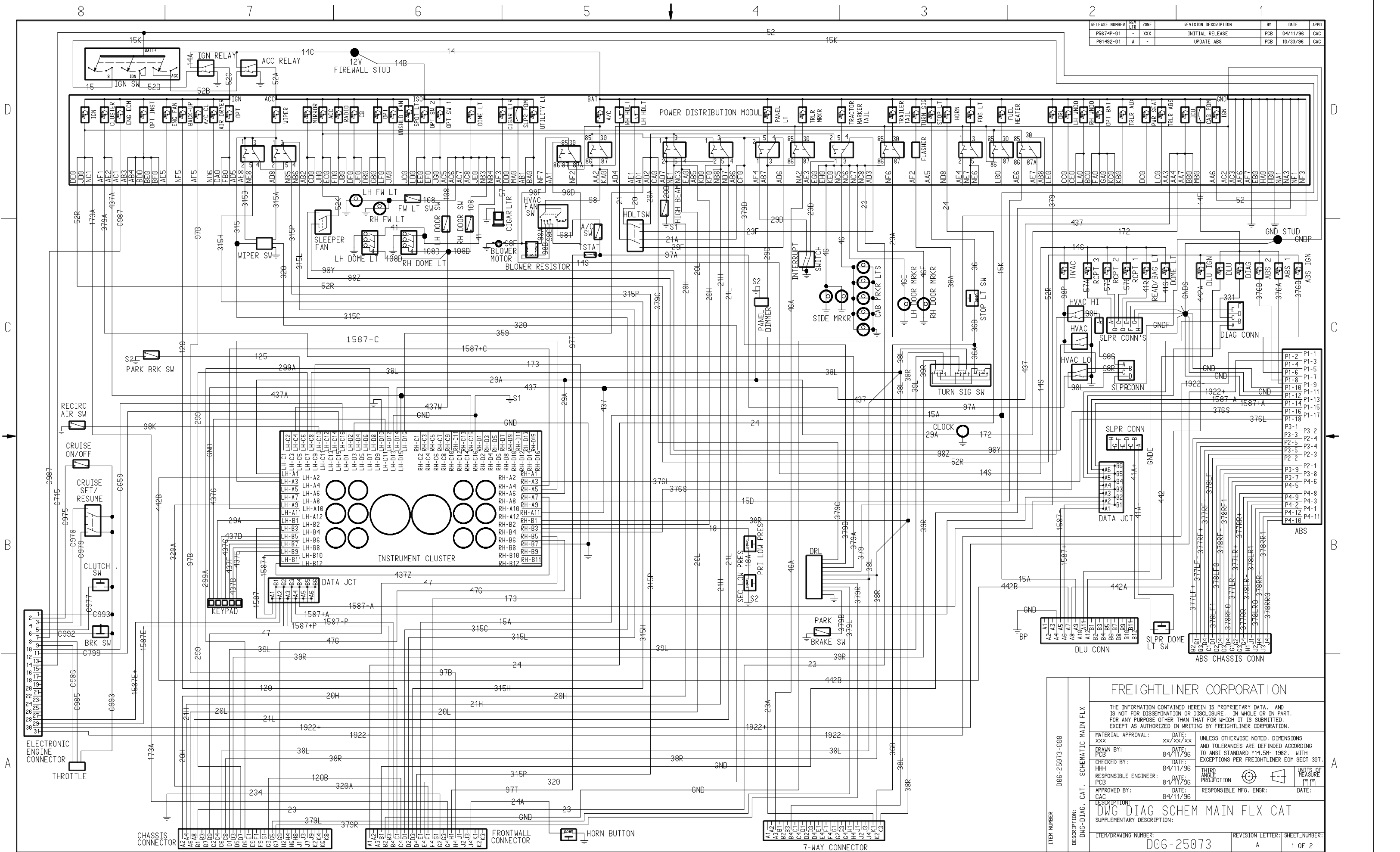


RELEASE NUMBER	REV LTR	ZONE	REVISION DESCRIPTION	BY	DATE	APPD
P5674P-01	-	XXX	INITIAL RELEASE	PCB	04/11/96	CAC
P01492-01	A	-	UPDATE ABS	PCB	10/30/96	CAC



FREIGHTLINER CORPORATION

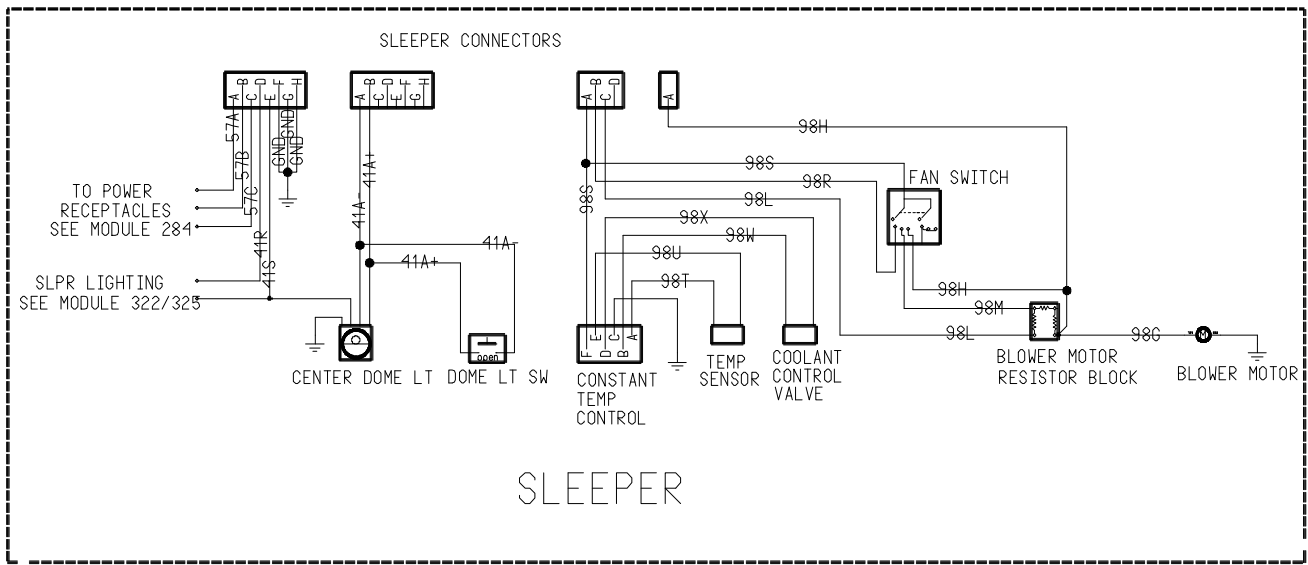
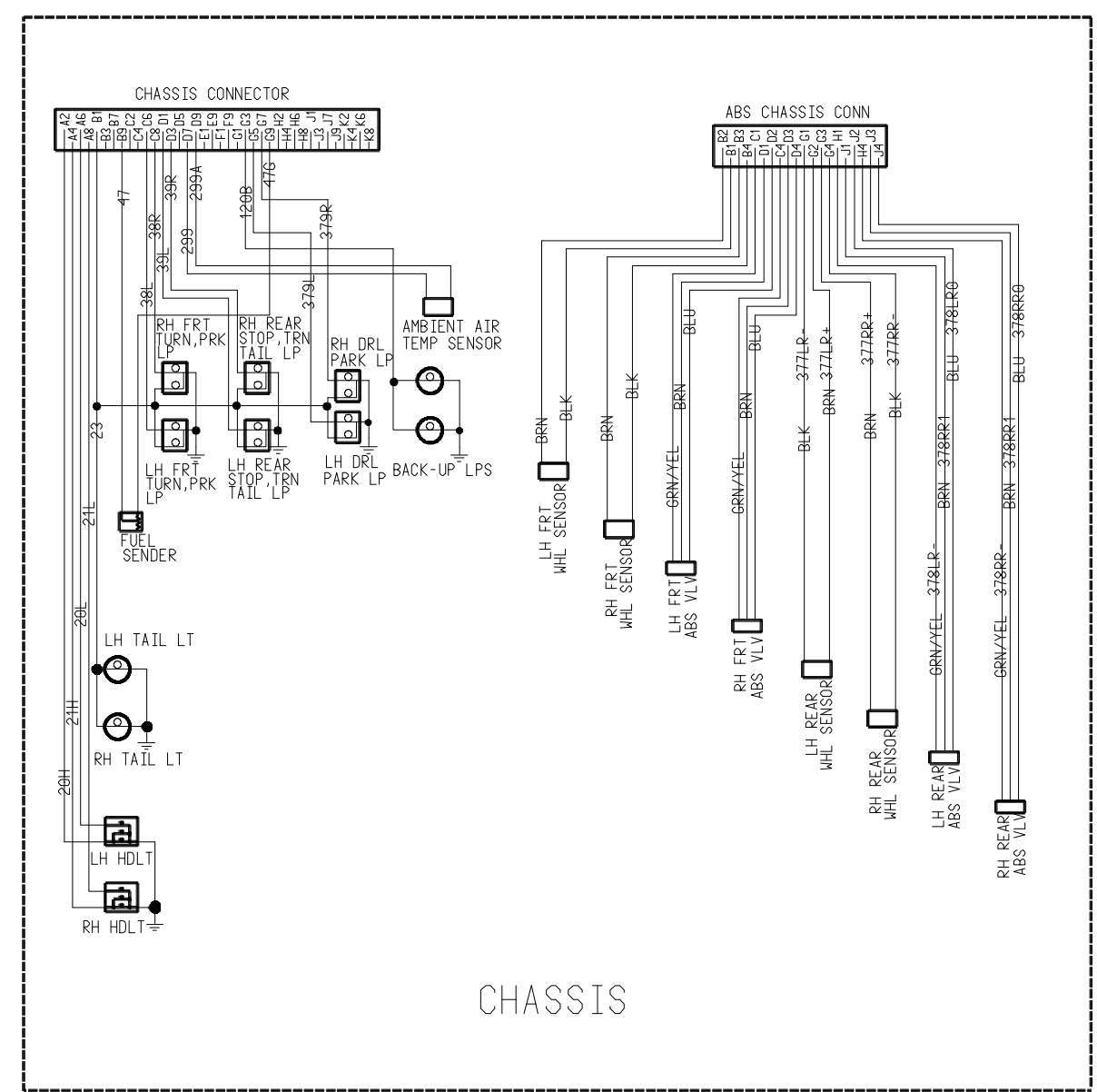
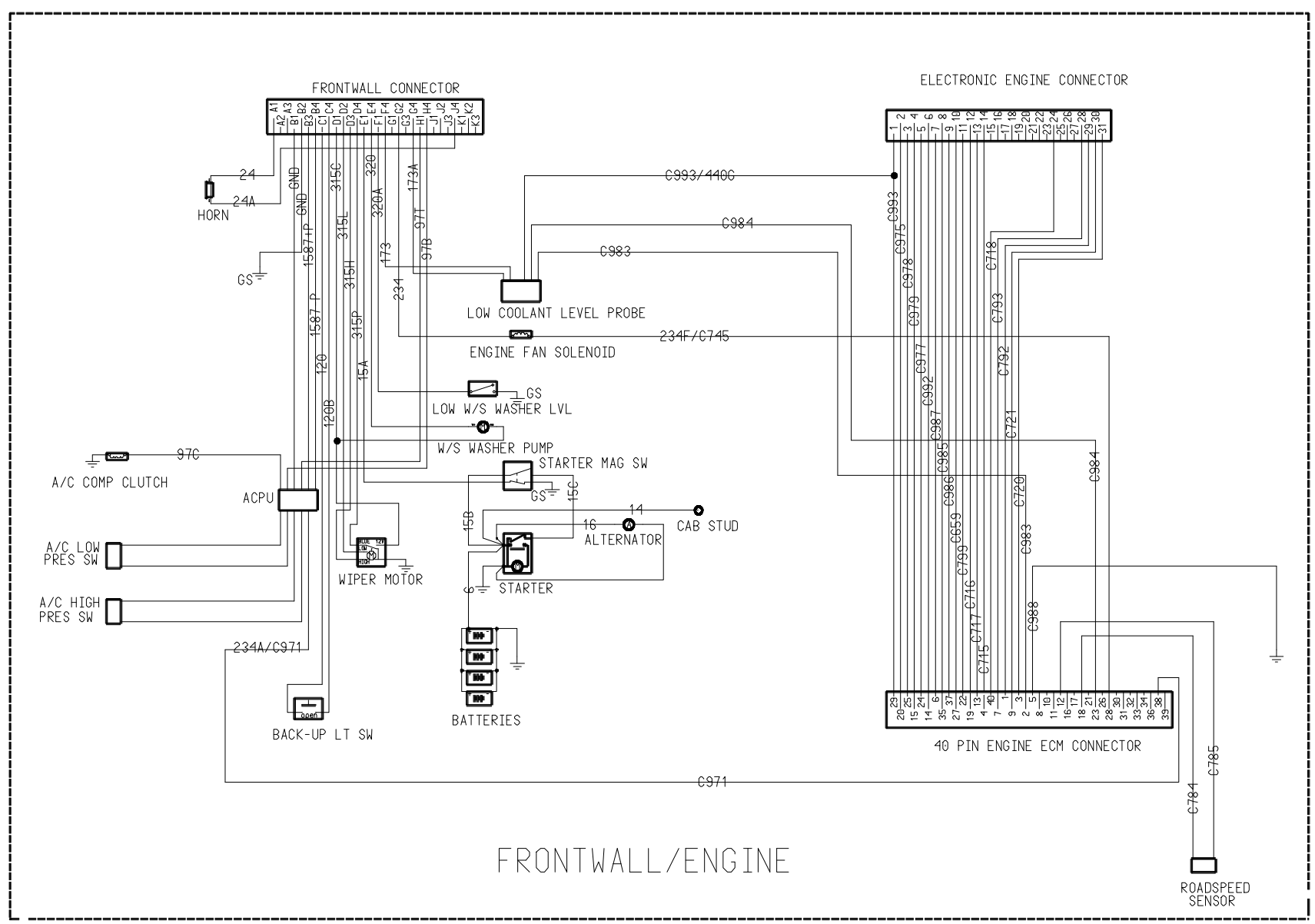
THE INFORMATION CONTAINED HEREIN IS PROPRIETARY DATA, AND IS NOT FOR DISSEMINATION OR DISCLOSURE, IN WHOLE OR IN PART, FOR ANY PURPOSE OTHER THAN THAT FOR WHICH IT IS SUBMITTED, EXCEPT AS AUTHORIZED IN WRITING BY FREIGHTLINER CORPORATION.

MATERIAL APPROVAL:	DATE:	UNLESS OTHERWISE NOTED, DIMENSIONS AND TOLERANCES ARE DEFINED ACCORDING TO ANSI STANDARD Y14.5M-1982, WITH EXCEPTIONS PER FREIGHTLINER EOM SEC 307.
xxx	xx/xx/xx	
DRAWN BY:	DATE:	
PCB	04/11/96	
CHECKED BY:	DATE:	
HHH	04/11/96	
RESPONSIBLE ENGINEER:	DATE:	THIRD ANGLE PROJECTION
PCB	04/11/96	
APPROVED BY:	DATE:	RESPONSIBLE MFG. ENGR:
CAC	04/11/96	

DESCRIPTION: DWG-DIAG, CAT, SCHEMATIC MAIN FLX
 DWG DIAG SCHEM MAIN FLX CAT
 SUPPLEMENTARY DESCRIPTION:

ITEM/DRAWING NUMBER: **D06-25073** REVISION LETTER: SHEET NUMBER: **A** 1 OF 2

RELEASE NUMBER	REV LTR	ZONE	REVISION DESCRIPTION	BY	DATE	APPD
P5674P-01	-	XXX	INITIAL RELEASE	PCB	04/11/96	CAC
P1492-01	A	-	UPDATE ABS	PCB	10/30/96	CAC



ITEM NUMBER 066-25073-000	DESCRIPTION: DWG-DIAG, CAT, SCHEMATIC MAIN FLX		FREIGHTLINER CORPORATION	
	THE INFORMATION CONTAINED HEREIN IS PROPRIETARY DATA, AND IS NOT FOR DISSEMINATION OR DISCLOSURE, IN WHOLE OR IN PART, FOR ANY PURPOSE OTHER THAN THAT FOR WHICH IT IS SUBMITTED, EXCEPT AS AUTHORIZED IN WRITING BY FREIGHTLINER CORPORATION.			
	MATERIAL APPROVAL:	DATE:	UNLESS OTHERWISE NOTED, DIMENSIONS AND TOLERANCES ARE DEFINED ACCORDING TO ANSI STANDARD Y14.5M-1982, WITH EXCEPTIONS PER FREIGHTLINER EOM SECT 307.	
	DRAWN BY: HHH	DATE: 04/11/96	THIRD ANGLE PROJECTION	UNITS OF MEASURE: MM
CHECKED BY: PCB	DATE: 04/11/96	RESPONSIBLE ENGINEER: CAC	DATE: 04/11/96	RESPONSIBLE MFG. ENGR: DATE:
DESCRIPTION: DWG-DIAG, CAT, SCHEMATIC MAIN FLX				
ITEM/DRAWING NUMBER: 066-25073		REVISION LETTER: SHEET NUMBER: A 2 of 2		

DO NOT SCALE COPIES OF THIS DRAWING