

Service Manual Trucks

Group **37**
Wiring Diagram
F10, F12, F16 LHD

Contents

Component wiring diagram index.....	1-2
Component wiring diagrams	5-47
Cable harnesses	126-127
Circuit card, electrical centre	130
Fuses	130, 131
Connectors	131, 133
List of components	132, 134-135

The contents of this Manual replace the following service bulletins:

T-37 0-69
37 0-72
37 0-77
37 0-83

Supplement date 08.91
Correction date 09.91

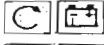
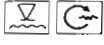





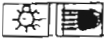





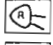
















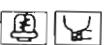











Order number: TSP 23688/1

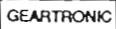




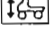


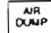

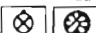



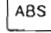



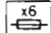
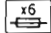




© 1996 Volvo Truck Corporation, Göteborg, Sweden

All rights reserved. No part of this publication may be reproduced, stored in a retrieval system, or transmitted in any forms by any means, electronic, mechanical, photocopying, recording or otherwise, without the prior written permission of the Volvo Truck Corporation.

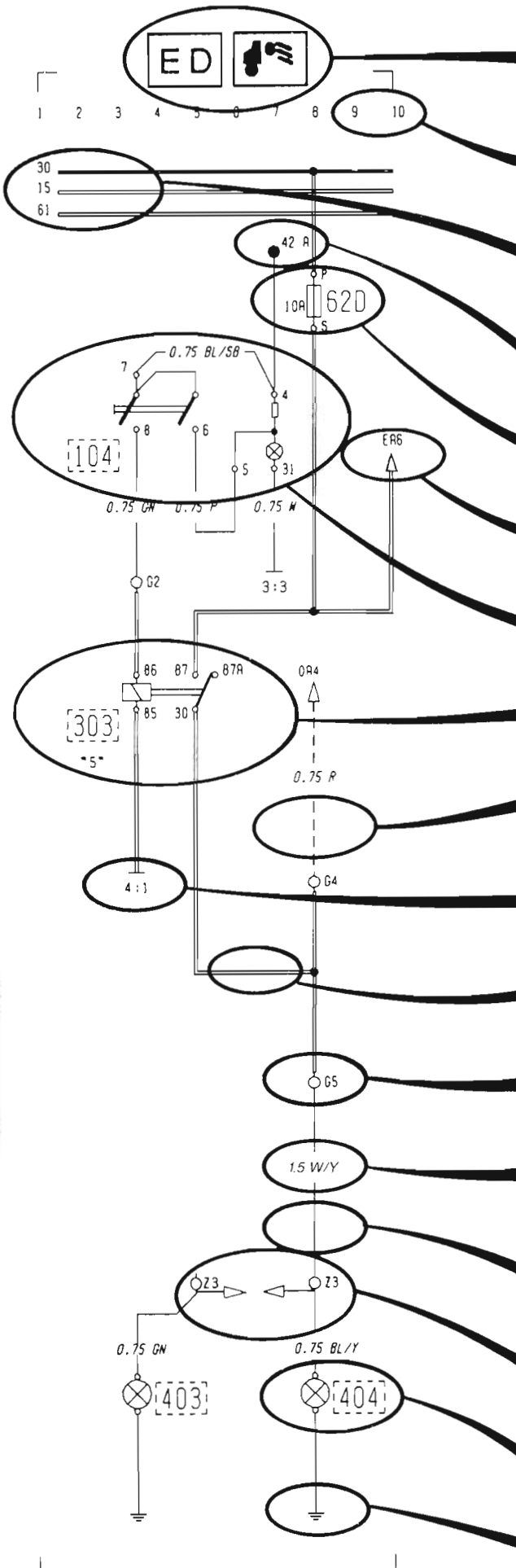
Component wiring diagram

F 10, F 12, F 16, LHD

	AA	Starter motor, alternator, 24 V	5
  	BB	Coolant level, preheating, exhaust pressure governor, exhaust brake, range inhibitor, interval wiping	6
	BG	Engine switch-off	7
	BK	Speed limiter	7
	BN	EDC, electronically controlled fuel injection	8
 	CE	Parking, sidemarking, roof and rear lights Full beams and dipped beams, spot lights	10
	a	– Dim-Dip (only RHD)	
	CG	Fog lights	11
	CK	Brake lights	11
	a	– With ABS	
	b	– Without ABS	
 	CN	Direction indicators, hazard warning lights	11
	EA	Reversing lights	11
	ED	Loading light, fifth wheel light	12
	EG	Rear fog lights	12
	EK	Roof sign (high cab)	12
	EN	Rotating warning lights	12
	ER	Interior lighting, low cab	13
	a	– Sleeper cab, 1 bunk	
	b	– Day cab, 2 bunks	
	ET	Interior lighting, high cab	14
	a	– Extra bunk	
 	EV	Ashtray lighting, cigarette lighter	14
	FA	Horn	14
 	GA	Windscreen wiper with washer, headlamp wiper with washer	15
 	HA	Climat unit (air conditioning)	16–17
	a	– AC, ATC	
	b	– ATC	
	c	– With heater, without AC or ATC	
 	HC	Parking heater DW80	19
  	HG	Heated rearview mirror, heated seat, air dryer	20
	a	– Twin-tower air dryer	
	b	– Single-tower air dryer	
	JA	Radio, communications radio and loudspeakers	20
	KA	Electrical window winder	21
	KD	Seat belt	22
	KH	Central lock	22
	LC	Speed indicator, Korea	23
	LD	Power take-off	23
	LE	Power take-off, clutch-independent	24
 	LG	Diff. lock	24
	a	– 6×4, 8×4	
	LJ	Lock, self-steered axle	25

	LO Geartronic	26–27
	MA Bogie lift (hydraulic)	28
	MD Bogie lift (hydraulic), with axle load limiter	29
	MG Bogie lift (air-operated)	29
	MK Bogie lift (air-operated), with axle load limiter	30
	MN Air suspension	31
	a – Air suspension, rear	
	b – Complete air suspension	
	c – With driver information	
	d – Without driver information	
	e – Bogie lift, air suspension 15 tonnes	
	f – Bogie lift, air suspension < 15 tonnes	
	MP Bogie lift, air suspension < 15 ton	32
	MS Bogie lift, air suspension 15 ton	33
	MV Drive axle load-increase	34
	MX Bogie-lift, 6x4 air suspension	35
	NA Combined instrument	36
	a – Without tachograph	
	ND Indicator lamps	37
	a – Without driver information	
	b – With driver information	
	NG Instrument, buzzer, rheostat	38
	a – 6×4, 8×4	
	NK Driver information system	39
	a – Without driver information	
	OA Anti-lock brakes (ABS)	40
	OB Anti-lock brakes (ABS),	
	6-channel	41
	OD Electro-magnetic brake	42
	OG Hydrodynamic brakes	43
	PA Level control headlights	43
	XA 6-unit fuse holder	44
	XB 6-unit fuse holder for superstructure	44
	XD Connection, extra equipment	45
	XF Connection for extra equipment (connector MD)	45
	ZA Earth connections	46
	ZD Joint sleeve	47–48

EXAMPLE OF CIRCUIT DIAGRAM



Refer to the list of contents for the designation and symbol of the circuit diagram. If the circuit diagram designation is boxed in with broken lines this means that the circuit diagram is not standard on all markets or vehicle models.

Seek column

30 Always voltage
15 Voltage with starting key in drive position
61 Voltage when alternator charges (only FL)

Connector A

Fuse (D)

Reference arrow (for circuit diagram EA, seek column 6).

Switch (104)

Relay (303)

If the line is broken this means the cable is not standard on all markets or vehicle models.

Earth terminal no. 1. at earth connection point no. 4. (see circuit diagram ZA).

Double lines, conductor on circuit card

Connector (G, terminal 5)

Cable area and colour (1.5 mm² white/yellow)

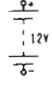
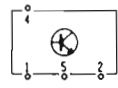




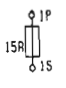


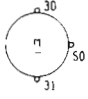

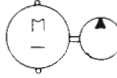

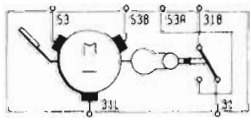



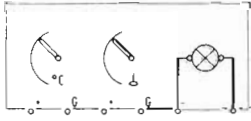
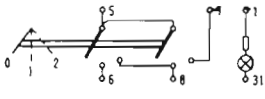
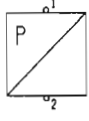
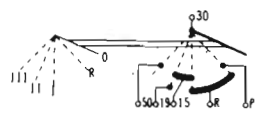





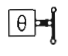

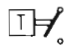
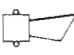

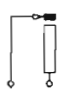
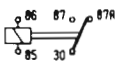
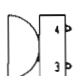
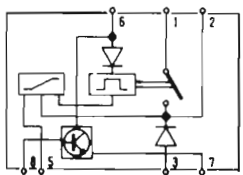
Single lines, cables

Arrows indicate that component 404 or 403 is connected up

Bulb (404)
A broken line box round the component number shows that the component is not standard on all markets or vehicle models.

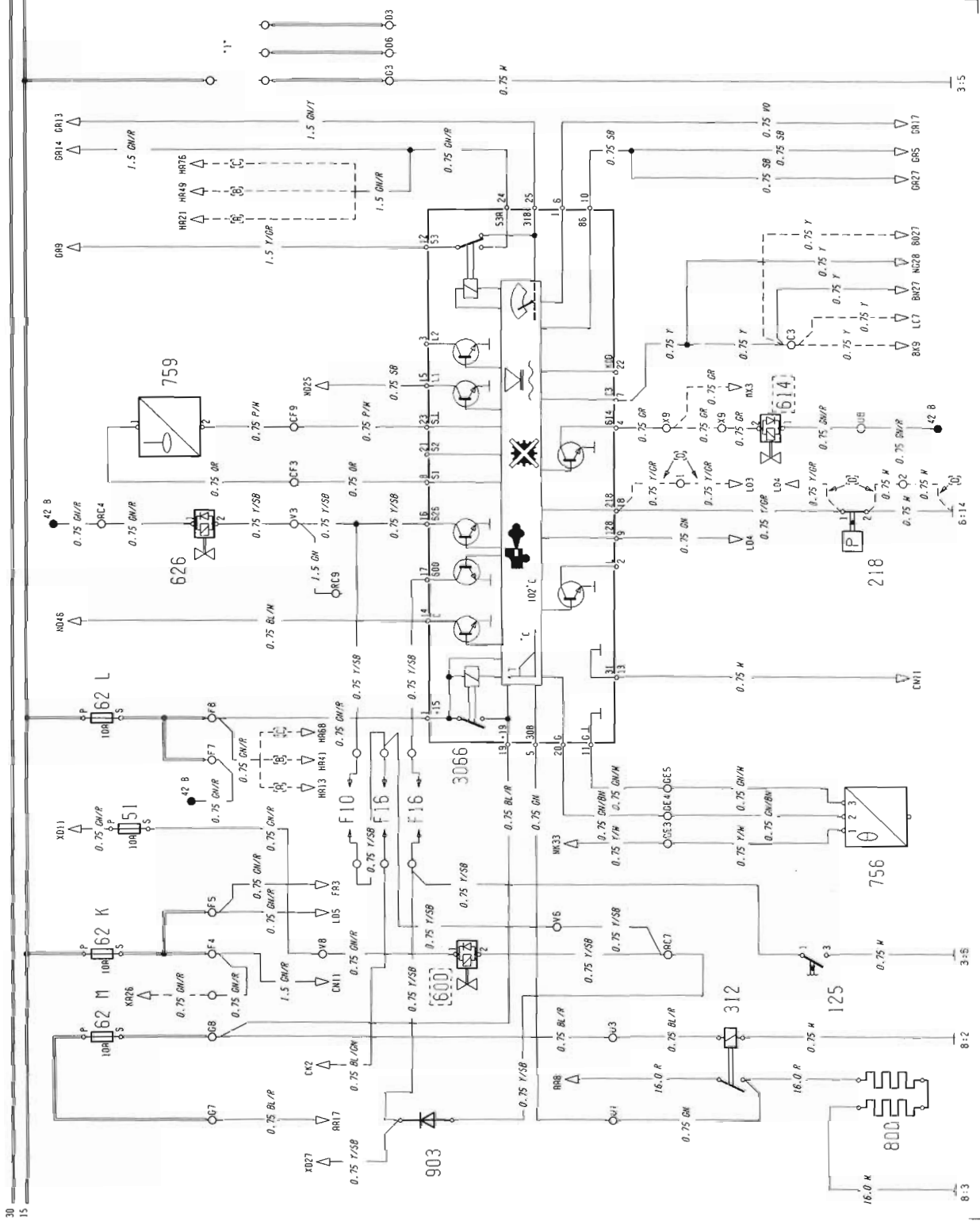
Earth connection without cable

EXAMPLES OF SYMBOLS ON WIRING DIAGRAM

	Battery		Relay, electronic
	Connector		Bulb
	Junction		Bulb, full beams and dipped beams
	Fuse		Alternator
	Joint sleeve		Starter motor
	Cable		Washer motor
	Conductor on circuit card		Windscreen wiper motor
	Earth connection and cable		Solenoid valve with diode
	Earth connection without cable		Instrument, temperature and level
	Switch		Pressure sensor
	Switch, starting switch		Temperature sender
	Closing contact		Level sender
	Closing contact, pressure-regulated		Starting heater
	Break contact, temperature-regulated		Cigarette lighter
	Closing contact, time-regulated		Horn
	Slip contact, horn		Rheostat
	Relay		Buzzer
	Relay with internal circuit diagram		



1 2 3 4 5 6 7 8 9 10 11 12 13 14 15 16 17 18 19 20 21 22 23 24 25 26 27 28 29 30 31 32 33 34 35 36 37 38 39 40 41 42 43 44 45

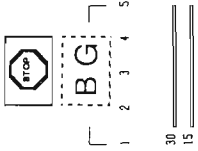


3:5

3:5

8:2

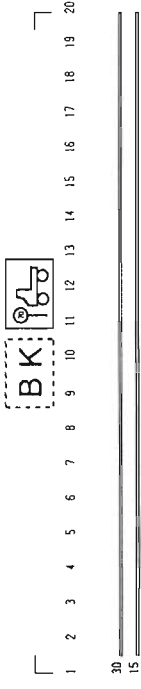
8:3



1 2 3 4 5

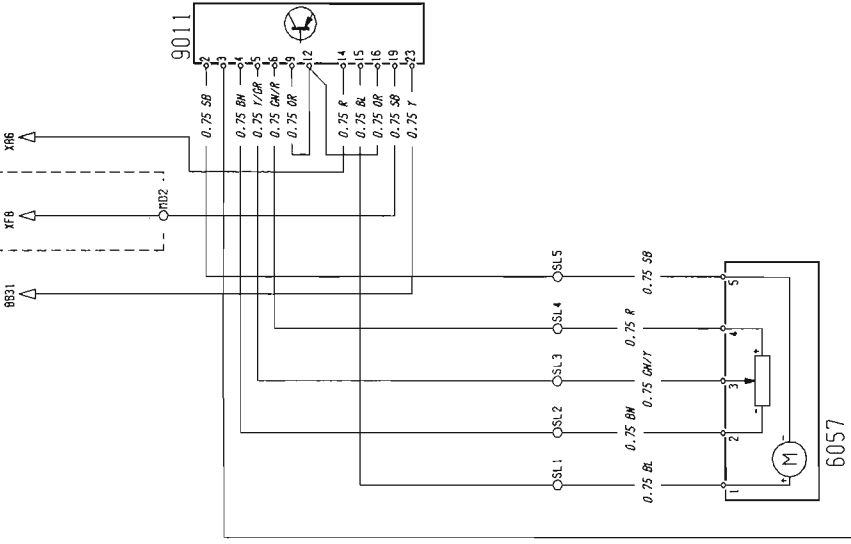
30
15

1:4:1

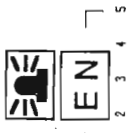


1 2 3 4 5 6 7 8 9 10 11 12 13 14 15 16 17 18 19 20

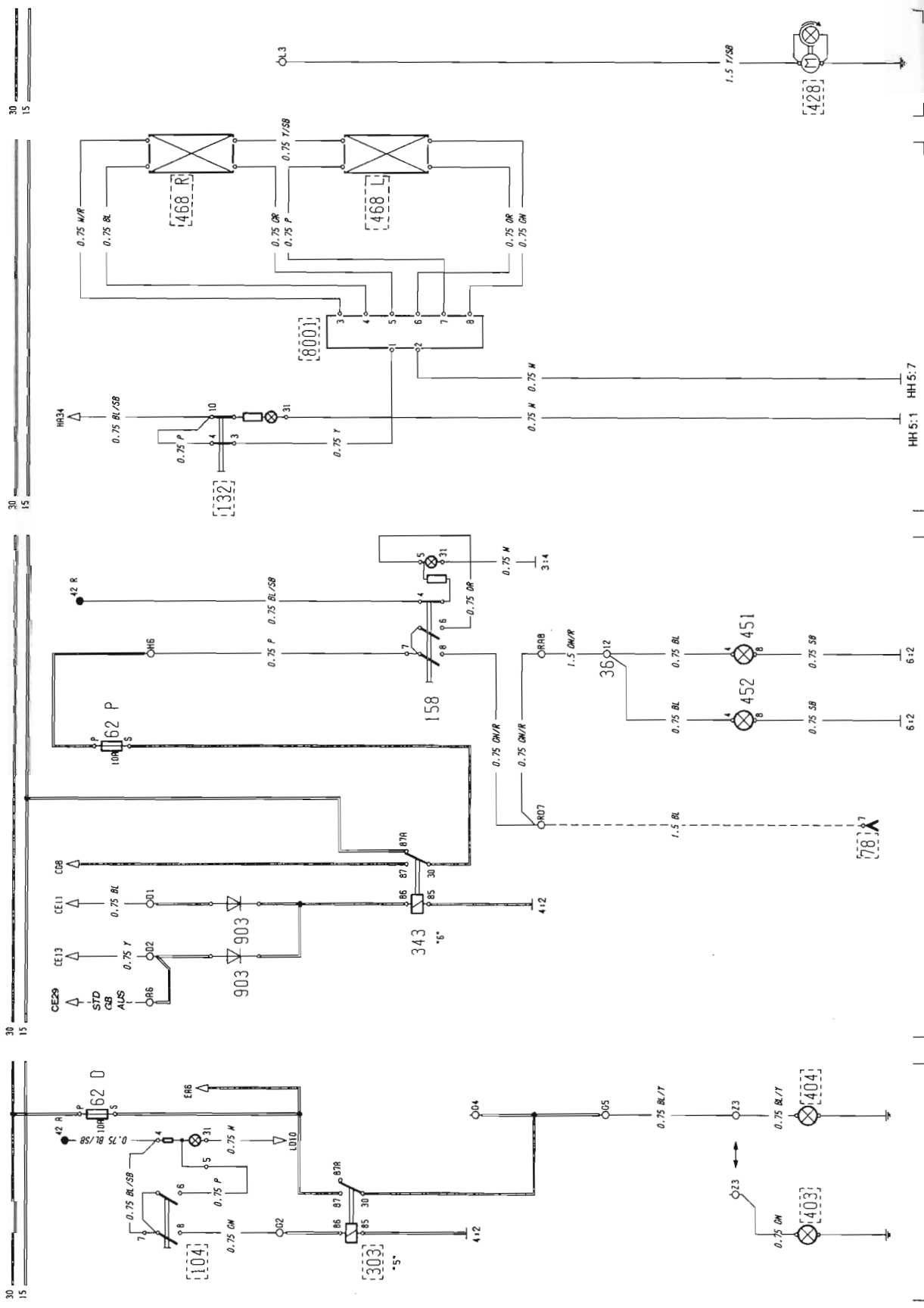
30
15

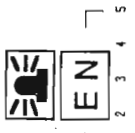


$0.75\ M$
15:1

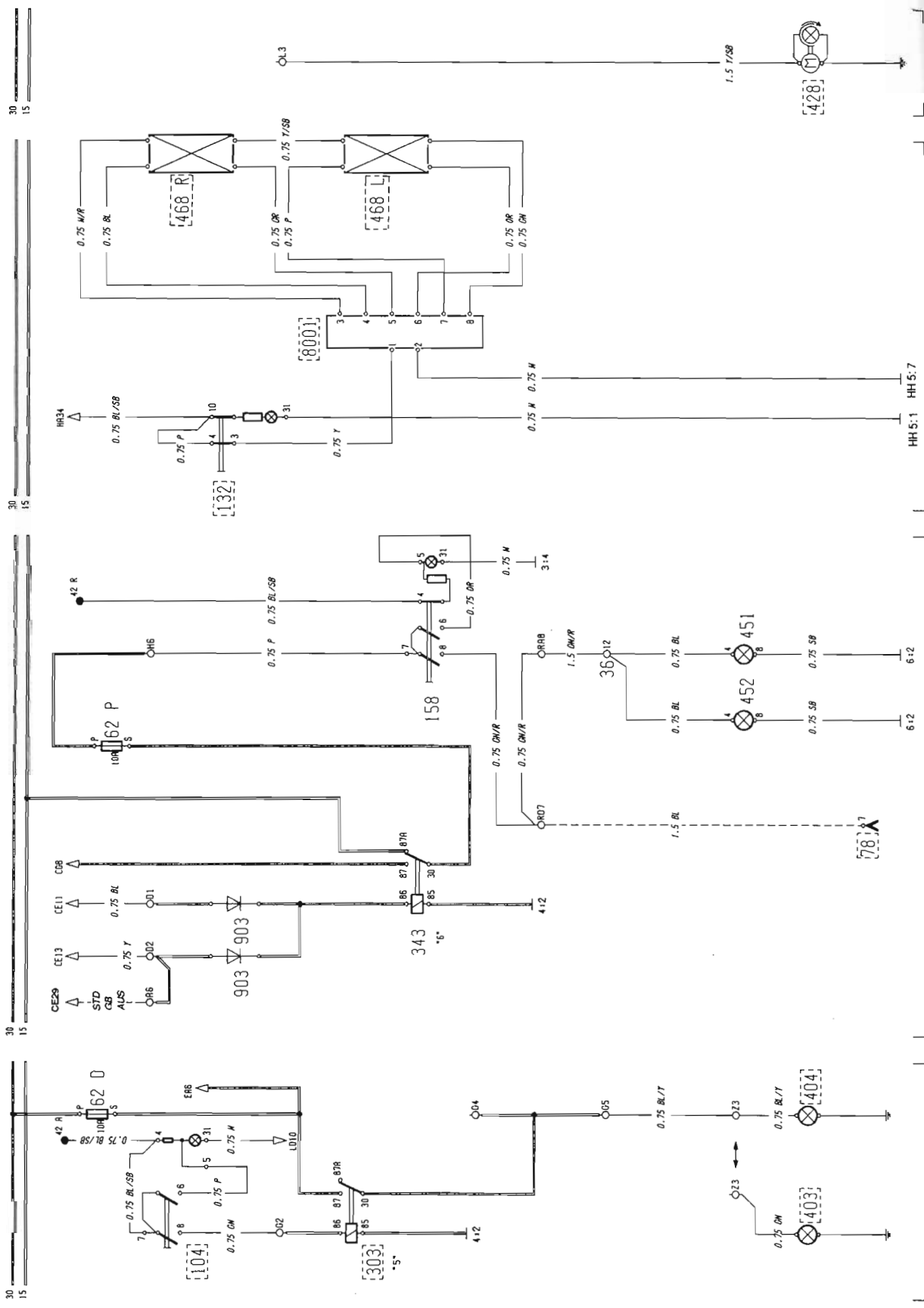


1 2 3 4 5 6 7 8 9 10 11 12 13 14 15 16 17 18 19 20 30 15





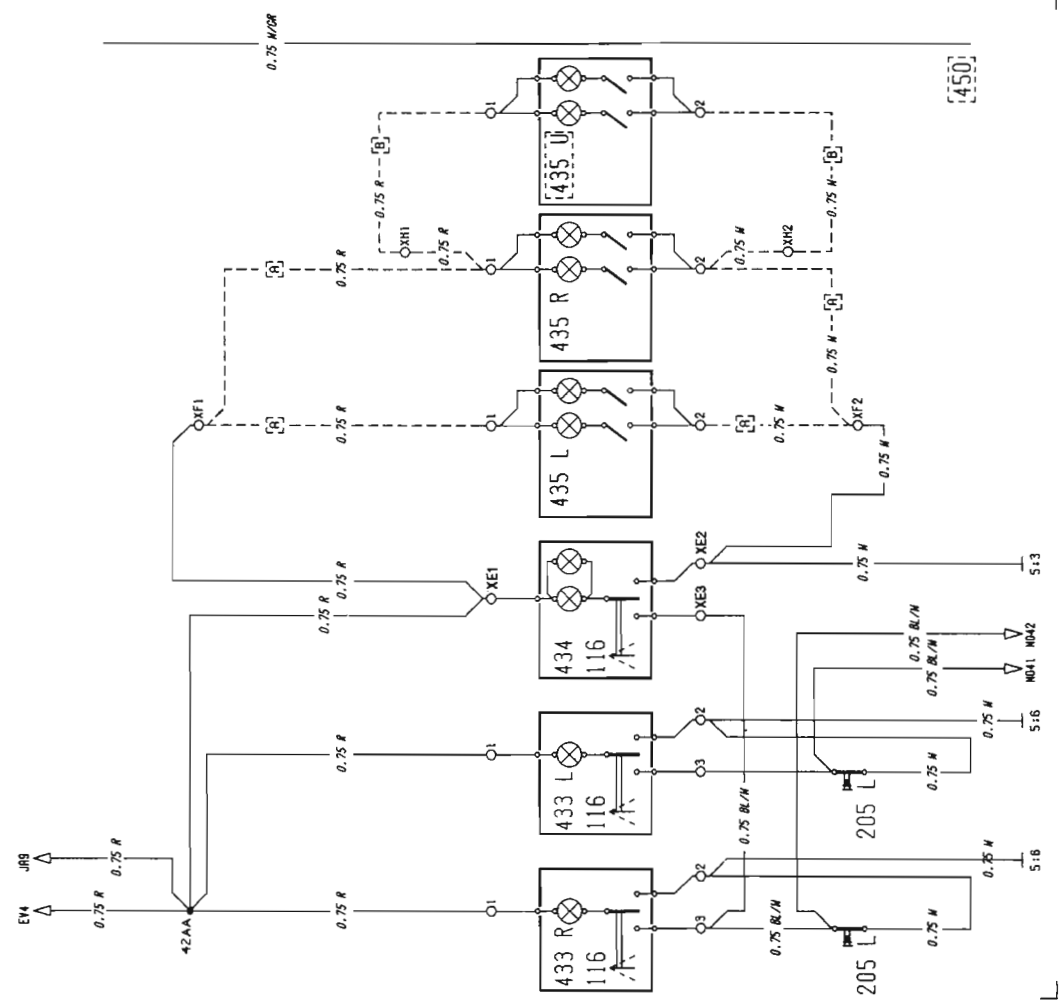
1 2 3 4 5 6 7 8 9 10 11 12 13 14 15 16 17 18 19 20 30 15





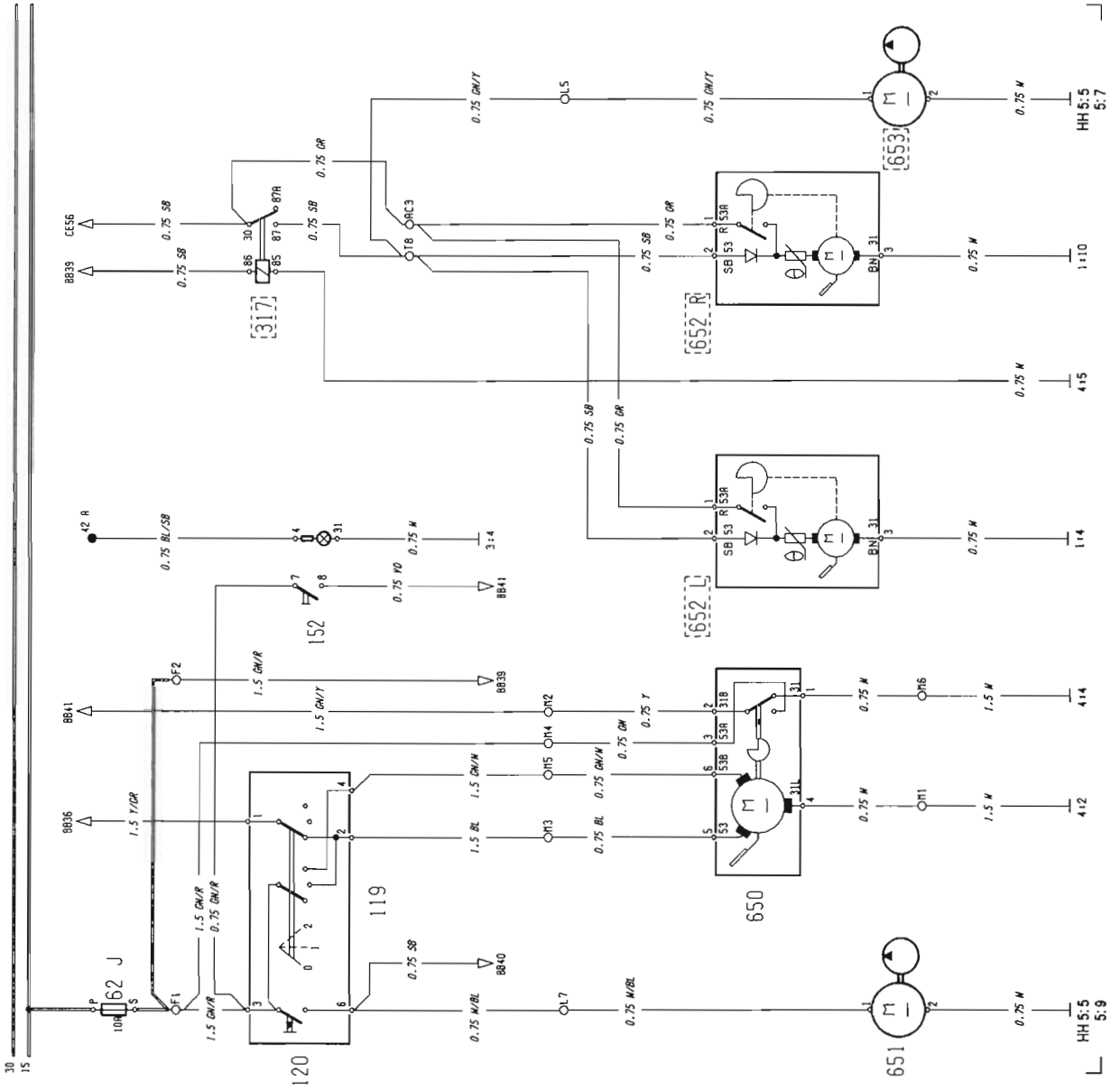
1 2 3 4 5 6 7 8 9 10 11 12 13 14 15 16 17 18 19 20 21 22 23 24 25 26 27 28 29 30

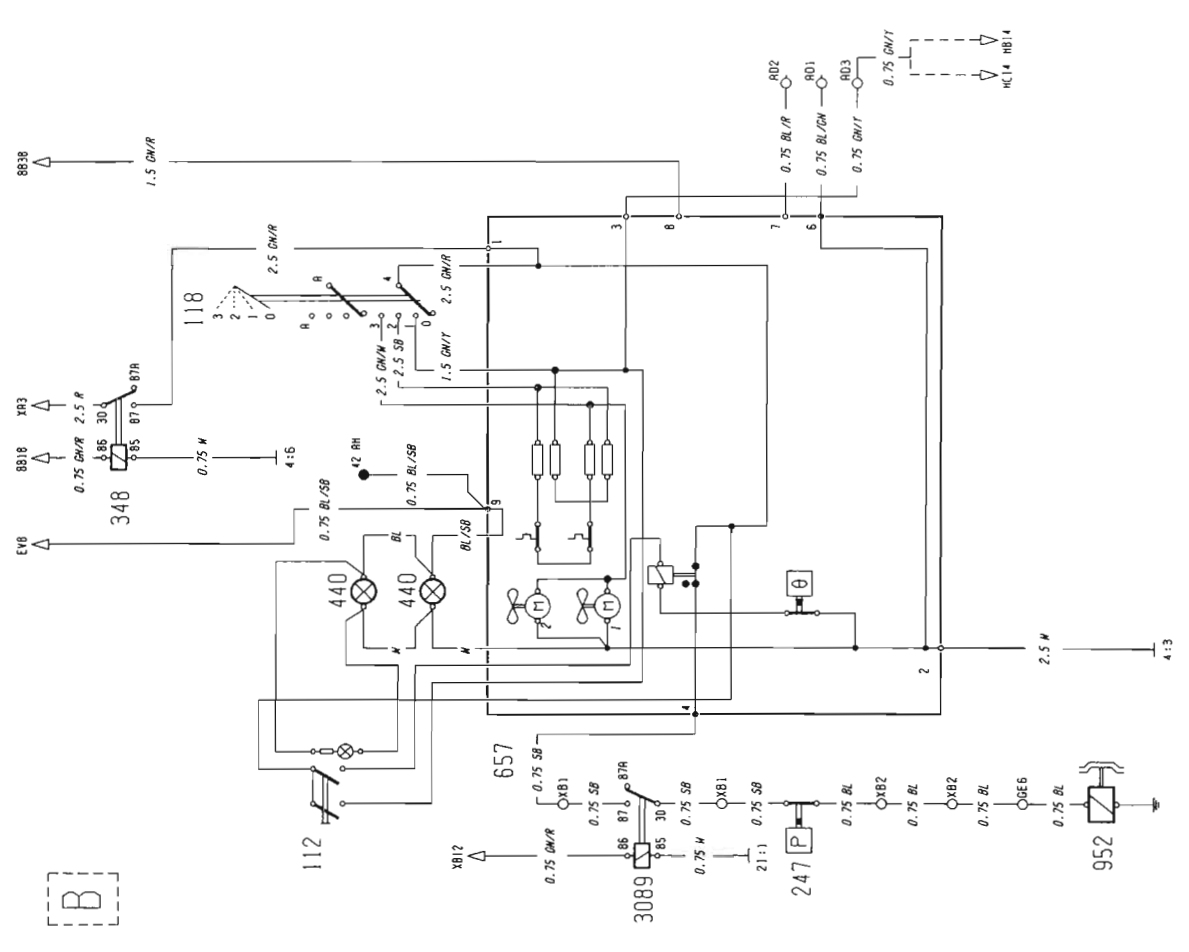
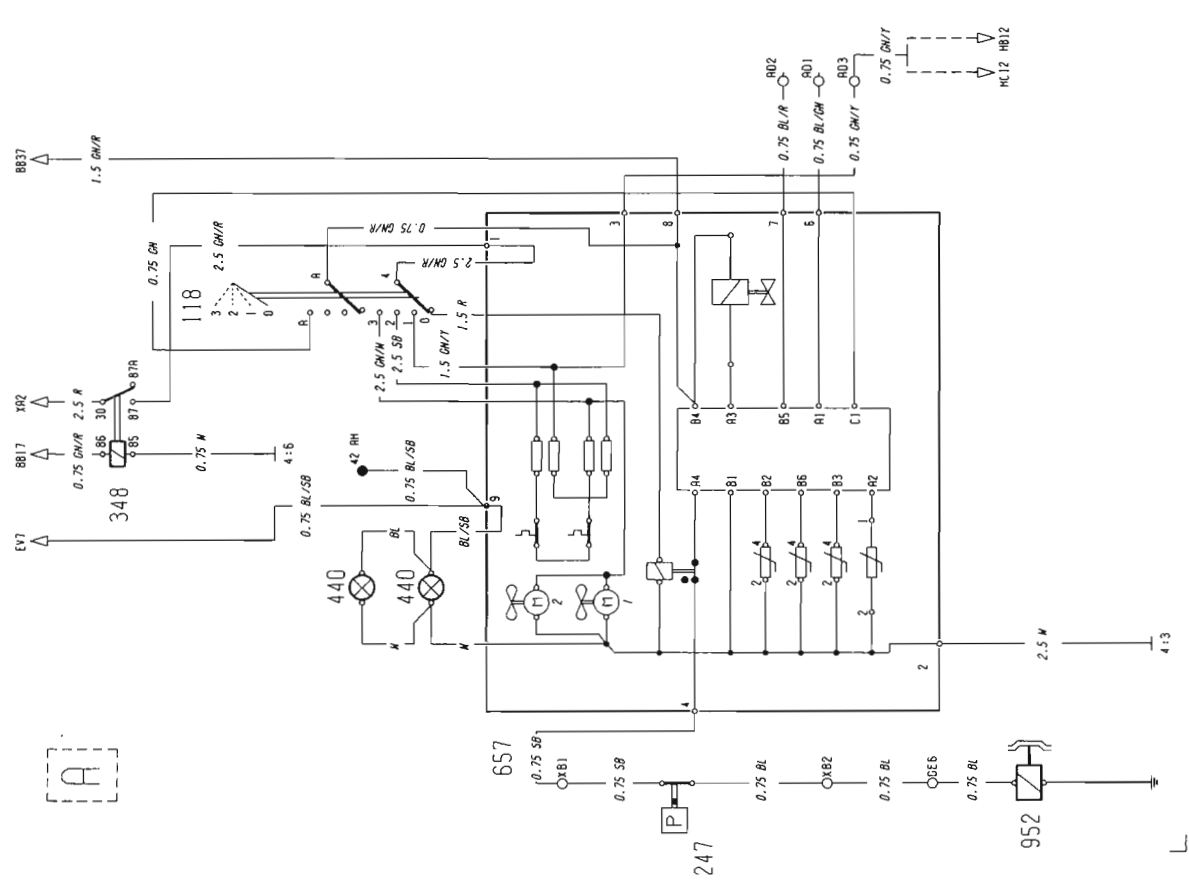
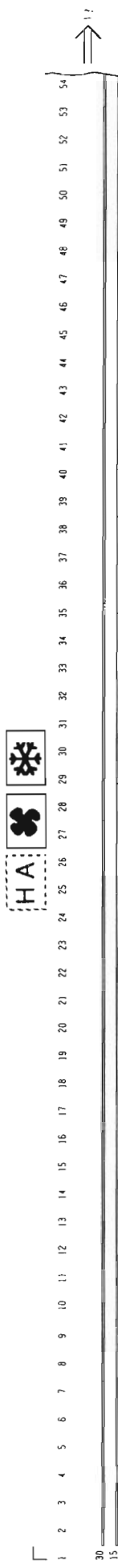
30
15

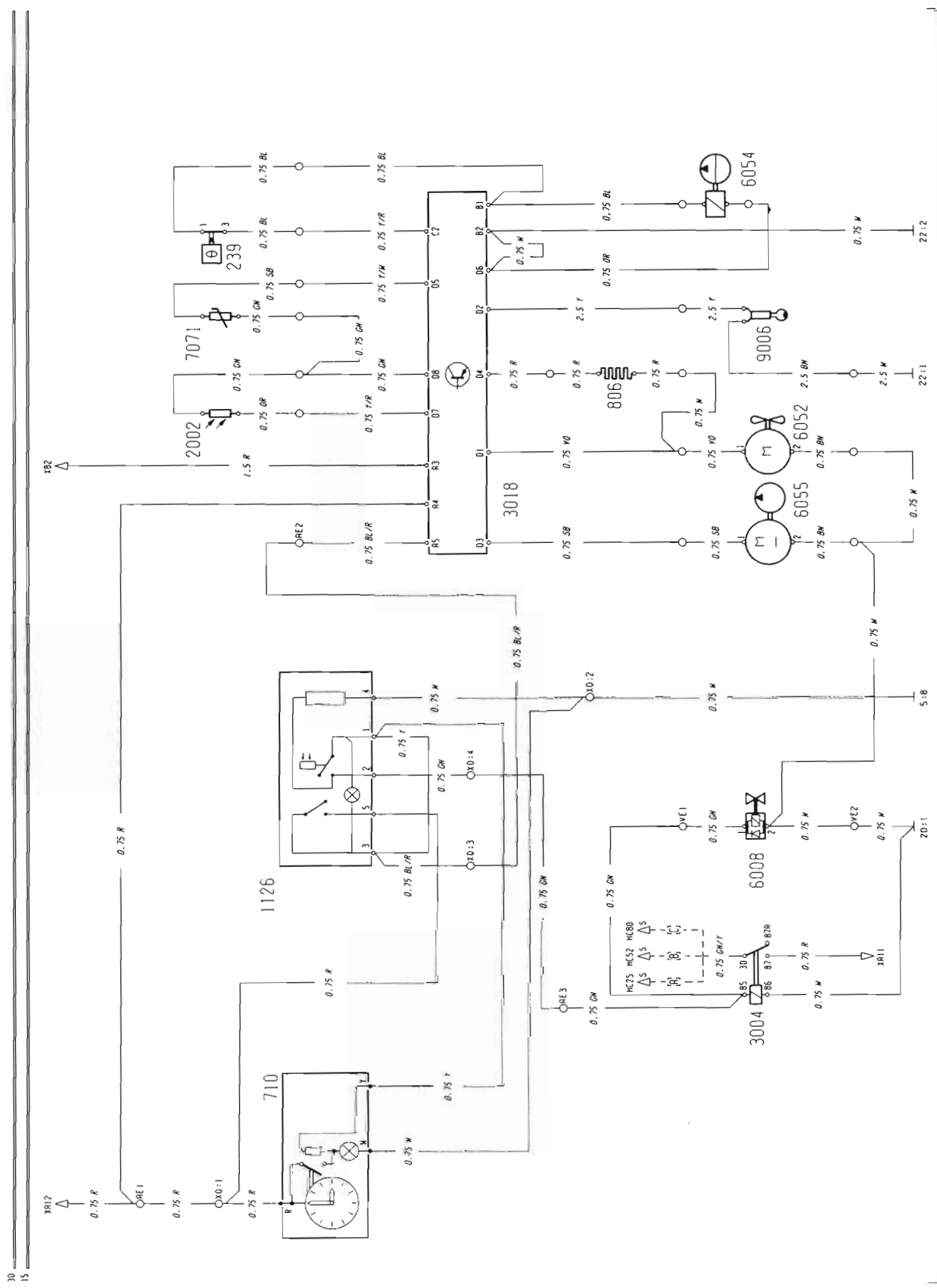


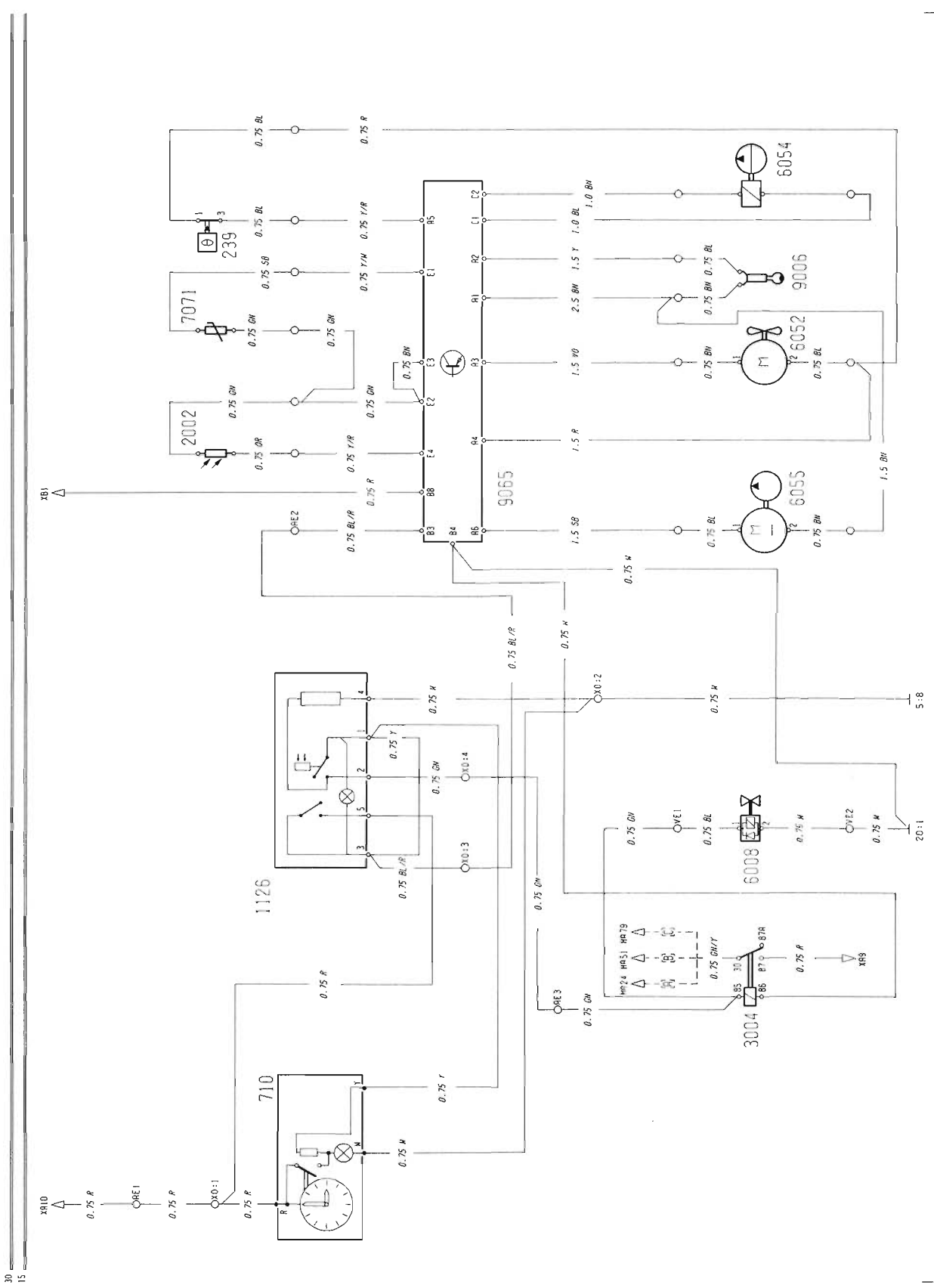


1 2 3 4 5 6 7 8 9 10 11 12 13 14 15 16 17 18 19 20 21 22 23 24 25 26 27 28 29 30 31 32 33 34 35







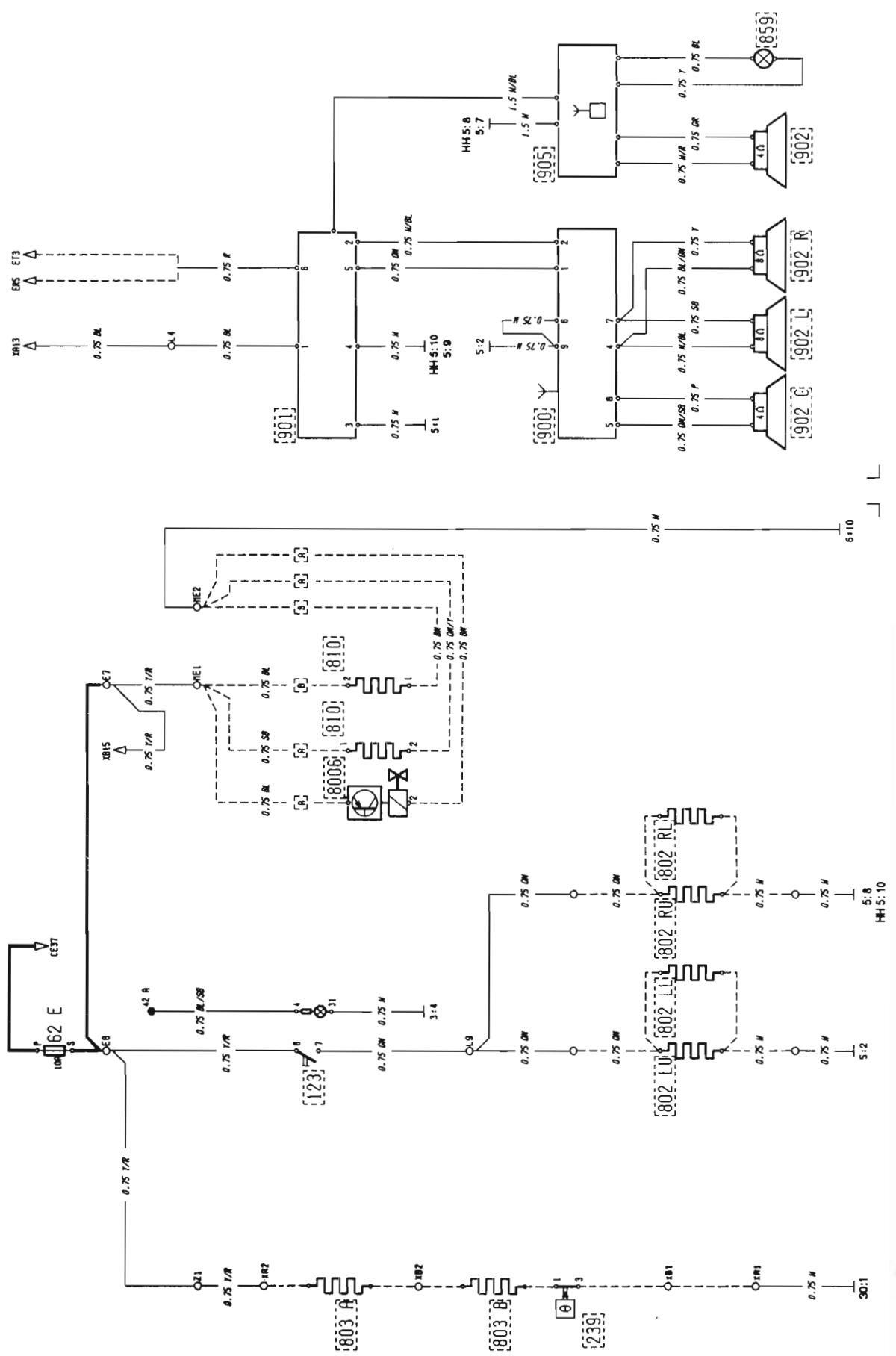




1 2 3 4 5 6 7 8 9 10 11 12 13 14 15 16 17 18 19 20 21 22 23 24 25 26 27 28 29 30 31 32 33 34 35

30
15

30
15

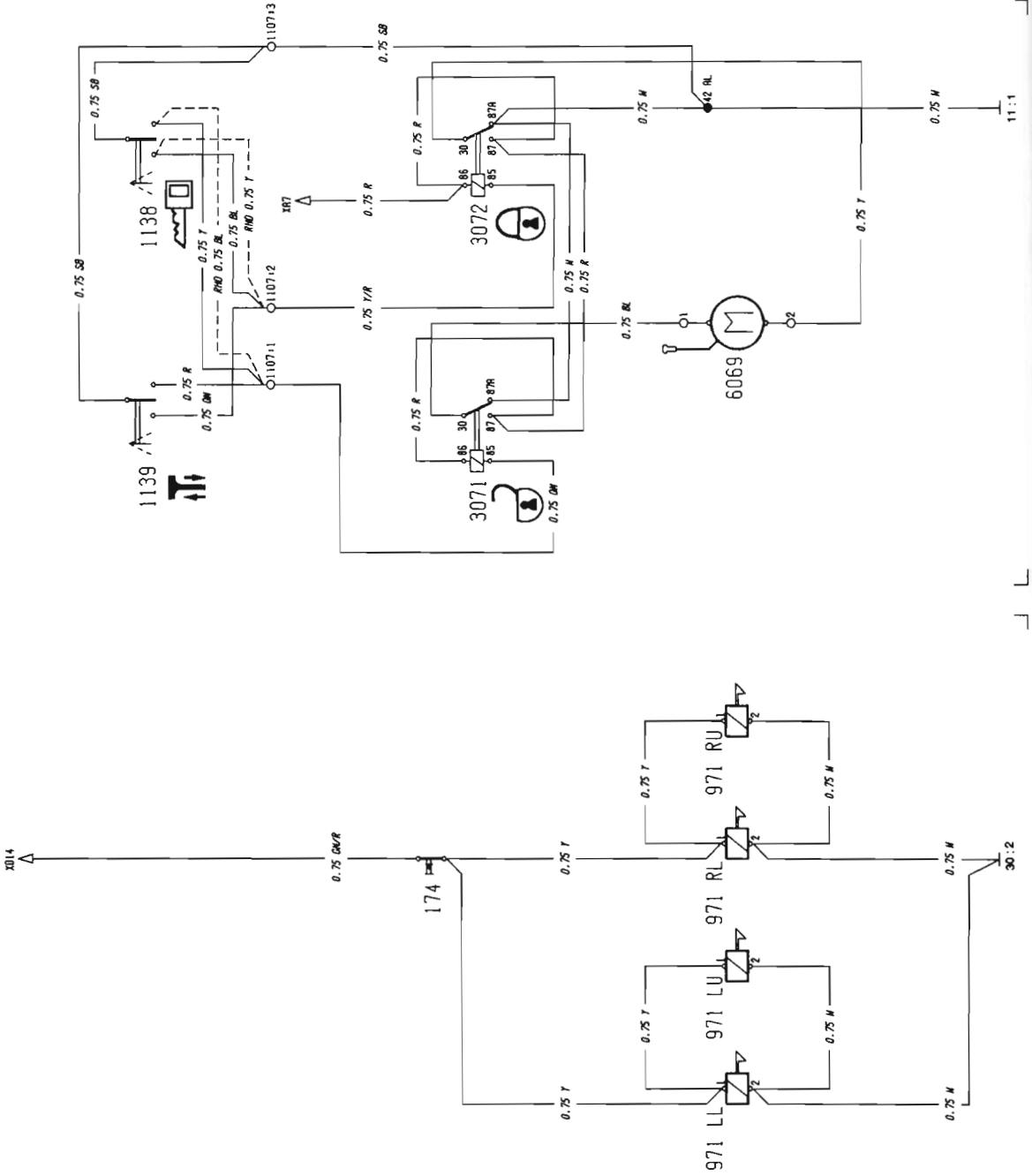




1 2 3 4 5 6 7 8 9 10 11 12 13 14 15 16 17 18 19 20

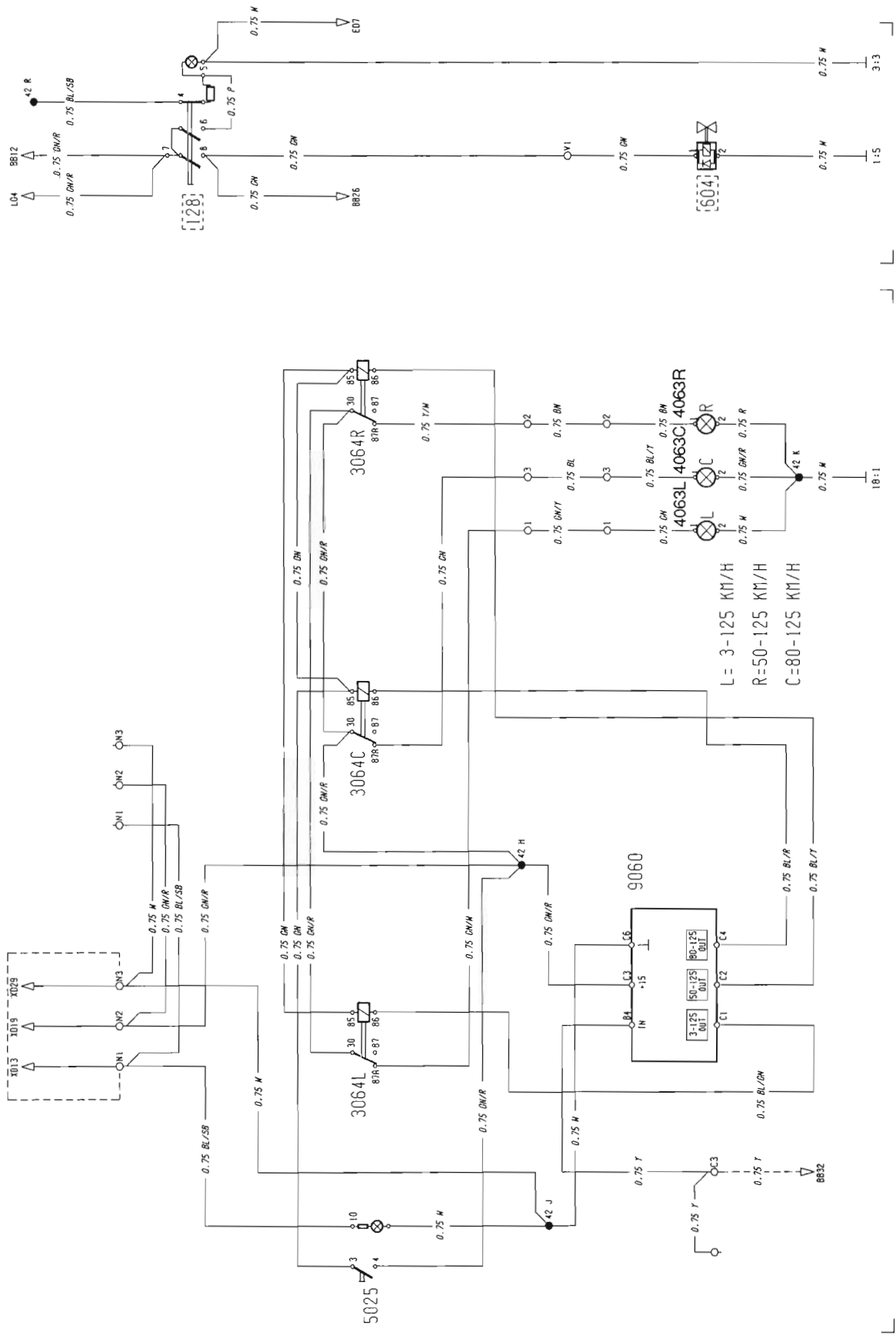
30

15



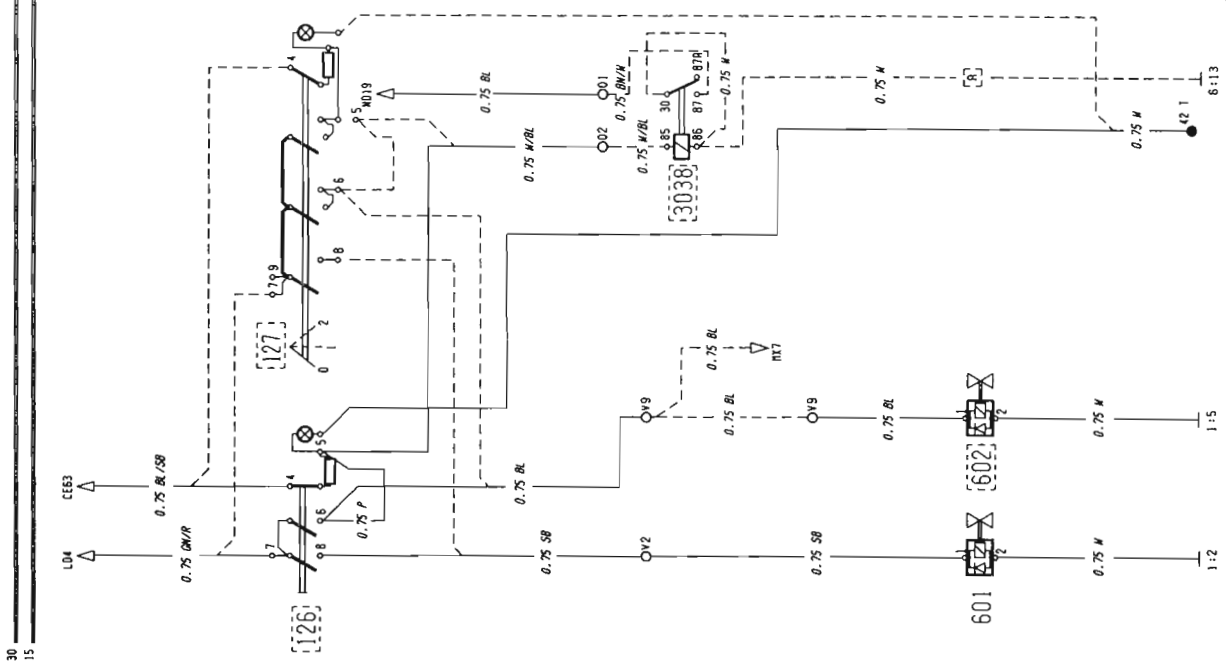
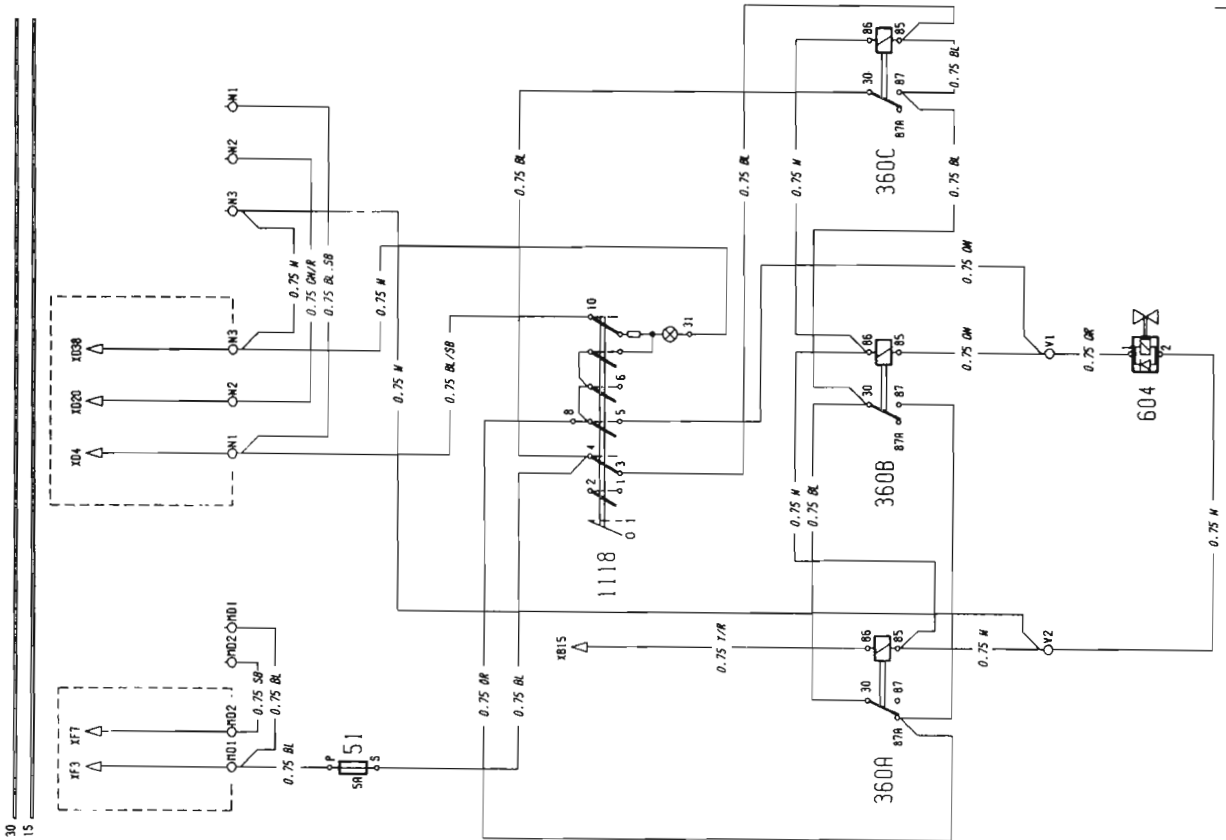
11:1

30:2





1 2 3 4 5 6 7 8 9 10 11 12 13 14 15 16 17 18 19 20 21 22 23 24 25 30

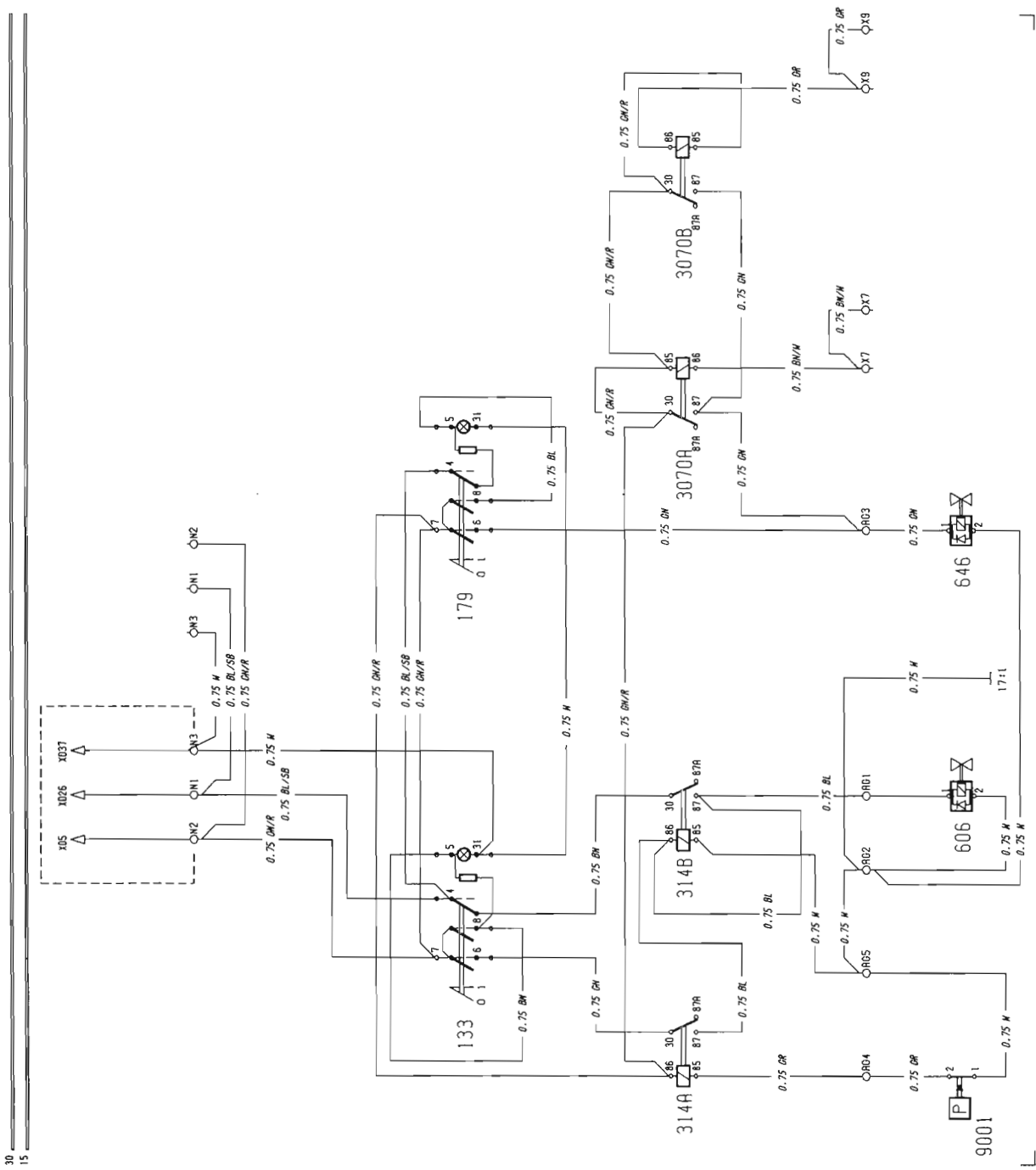


30 15

30 15

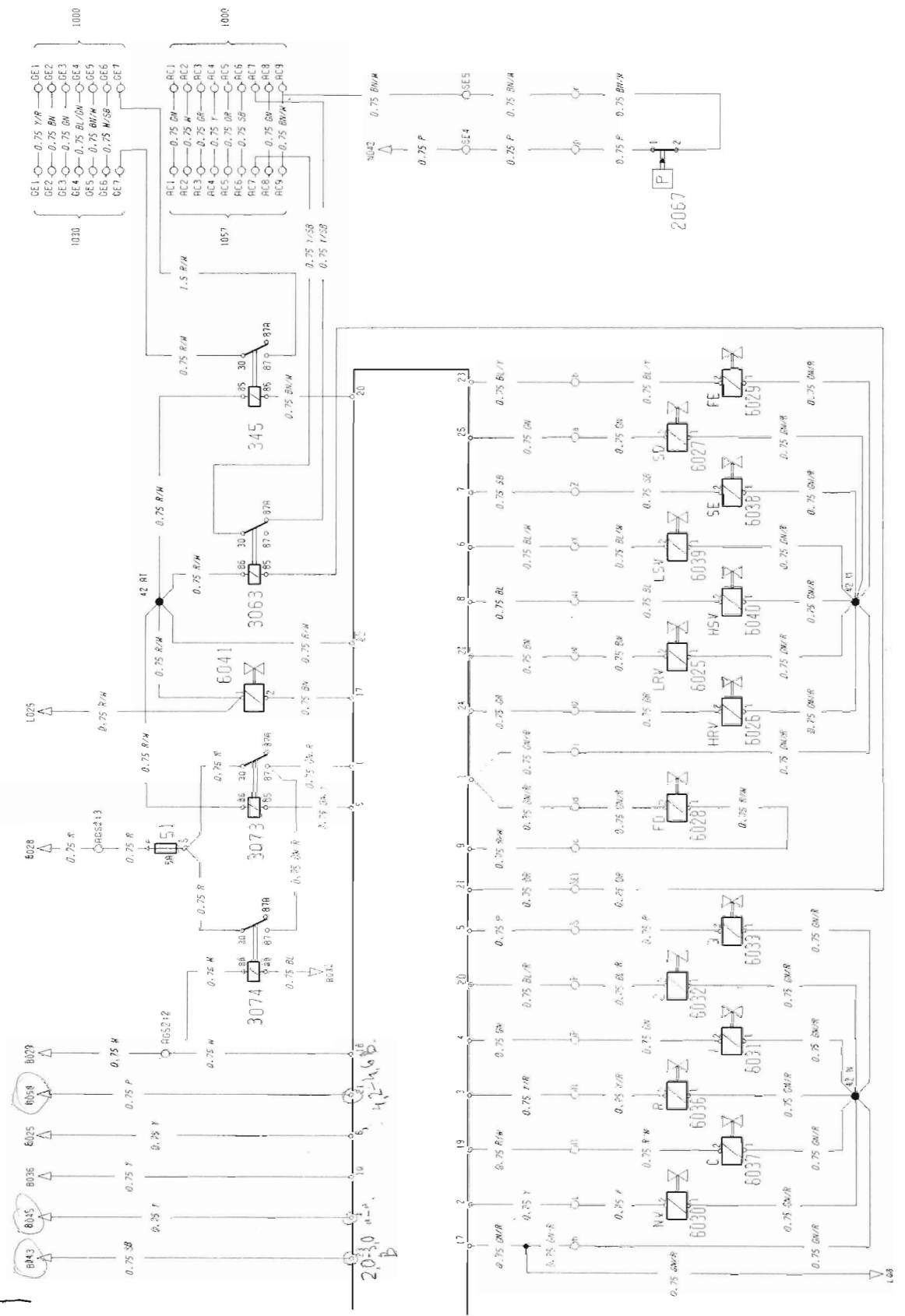
LJ 

1 2 3 4 5 6 7 8 9 10 11 12 13 14 15 16 17 18 19 20 21 22 23 24 25 26 27 28 29 30 31 32 33 34 35 36 37 38 39 40



53 54 55 56 57 58 59 60 61 62 63 64 65 66 67 68 69 70 71 72 73 74 75 76 77 78 79 80 81 82 83 84 85 86 87 88 89 90 91 92 93 94 95 96 97 98 99

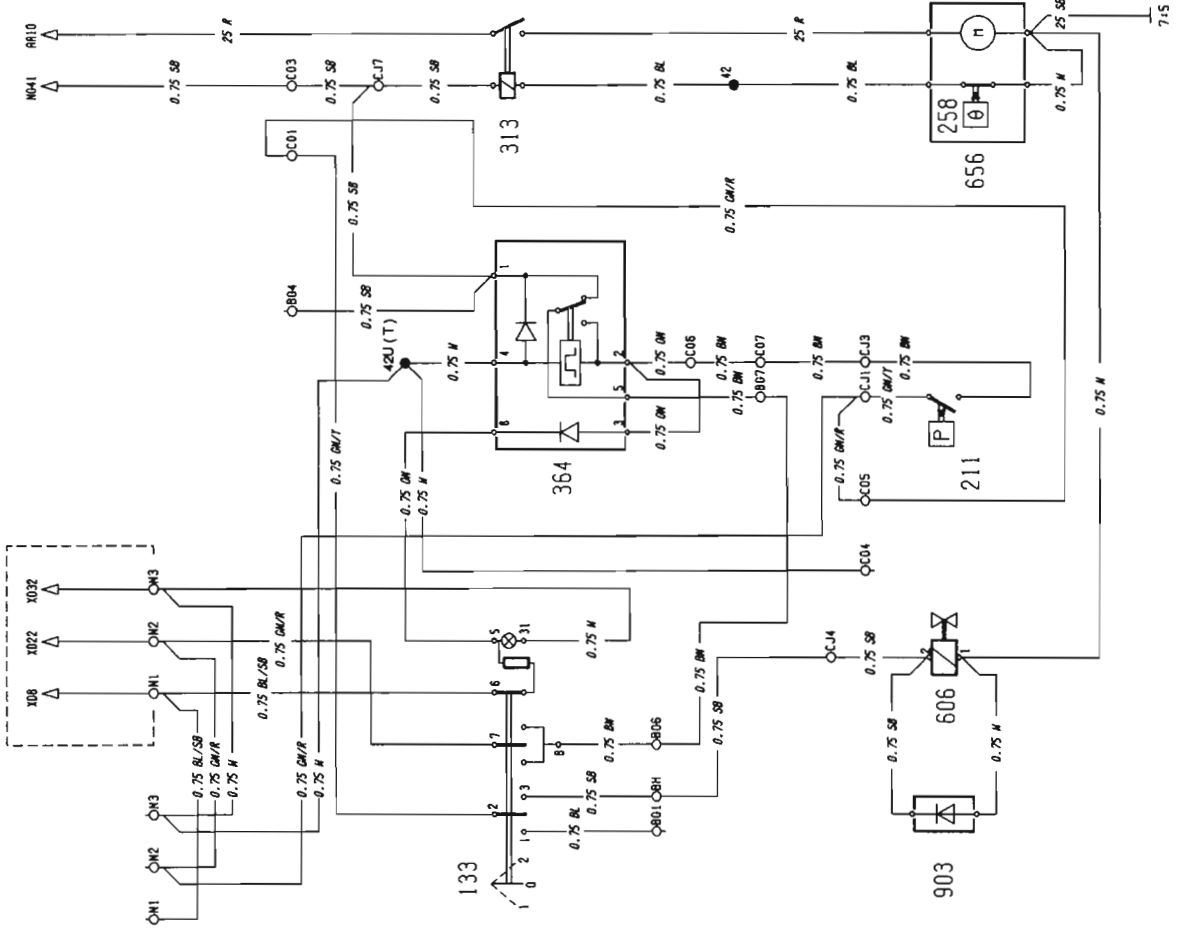
26





1 2 3 4 5 6 7 8 9 10 11 12 13 14 15 16 17 18 19 20 21 22 23 24 25 26 27 28 29 30

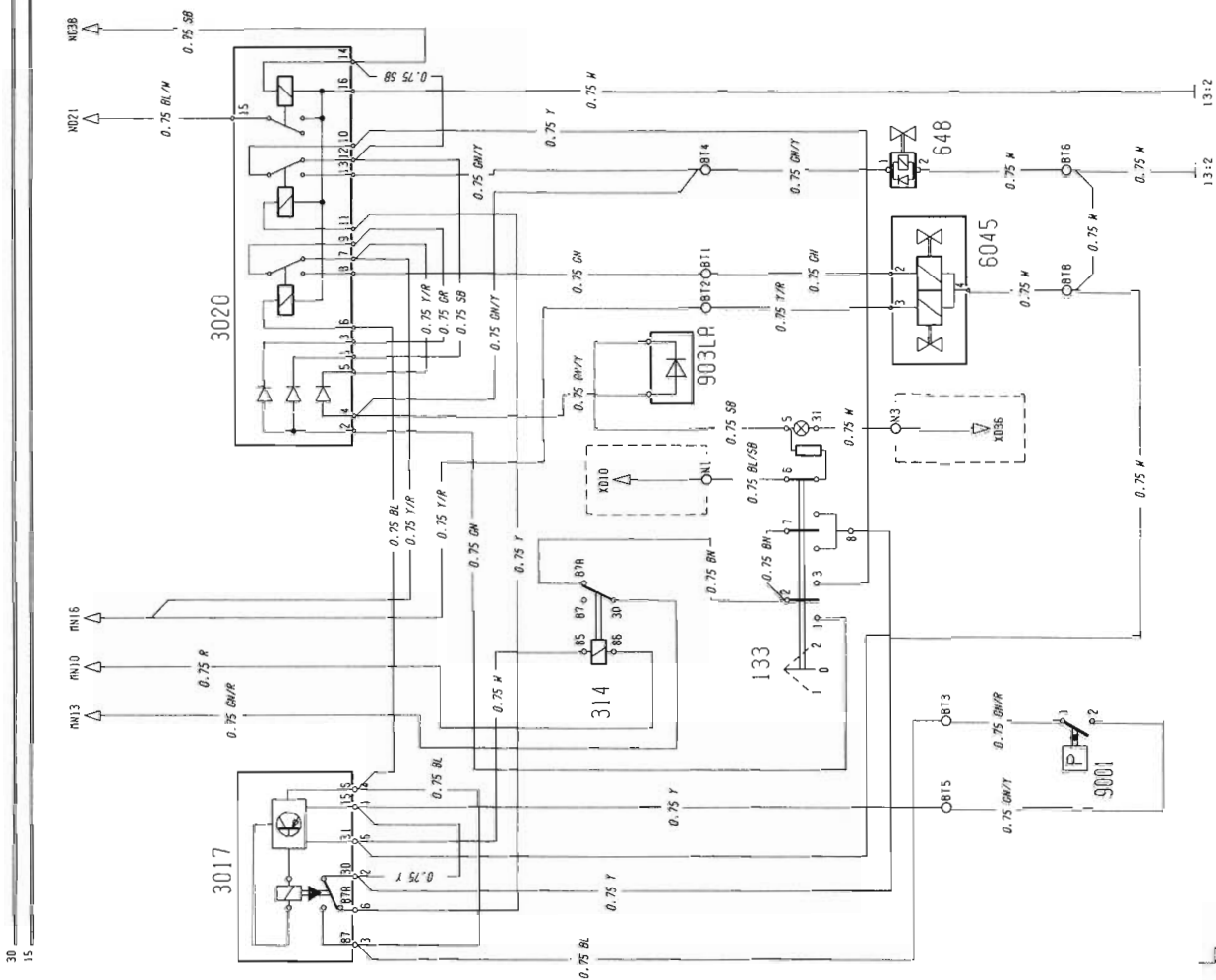
30
15



7:5

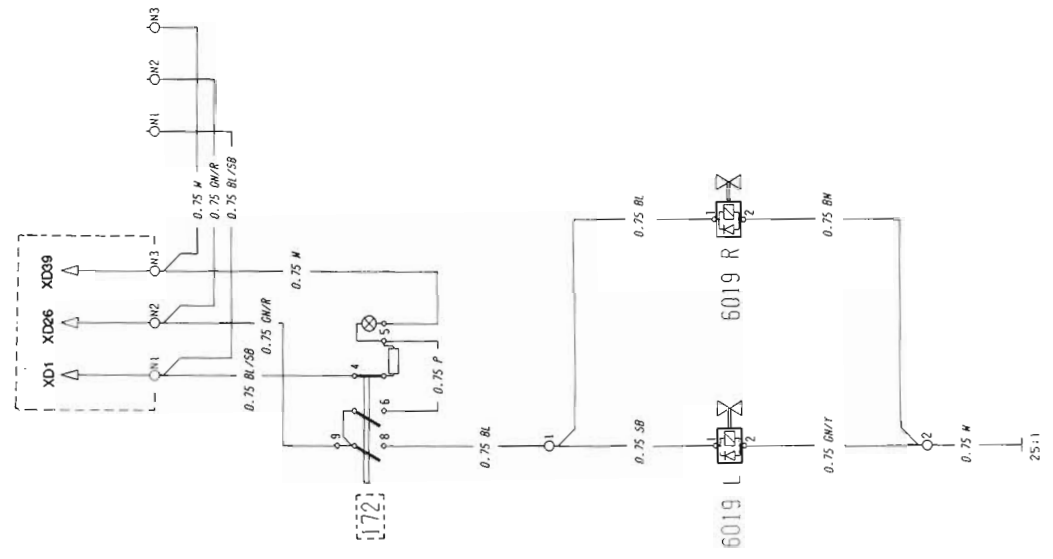


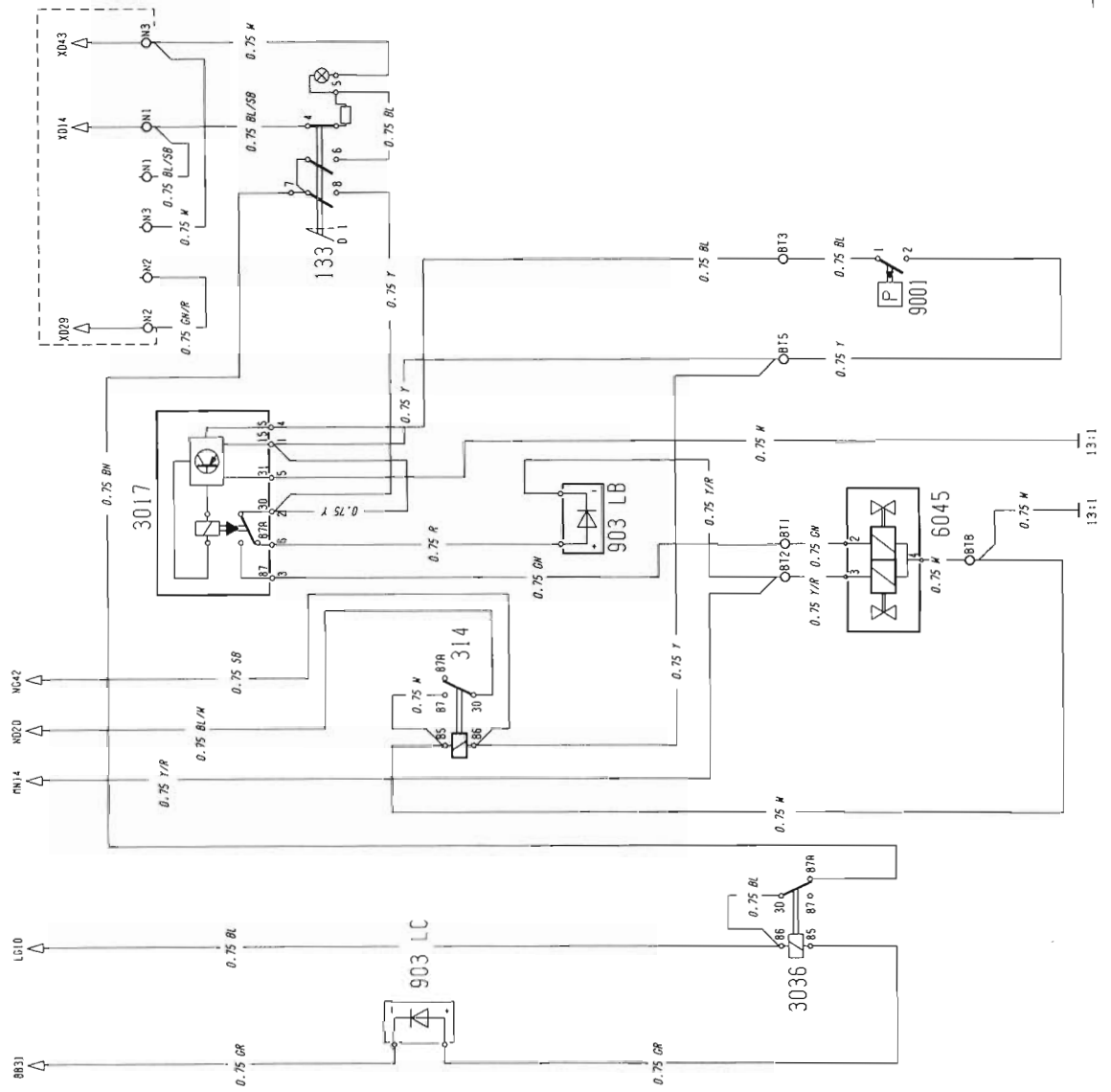
1 2 3 4 5 6 7 8 9 10 11 12 13 14 15 16 17 18 19 20 21 22 23 24 25 26 27 28 29 30



M V AIR DUMP

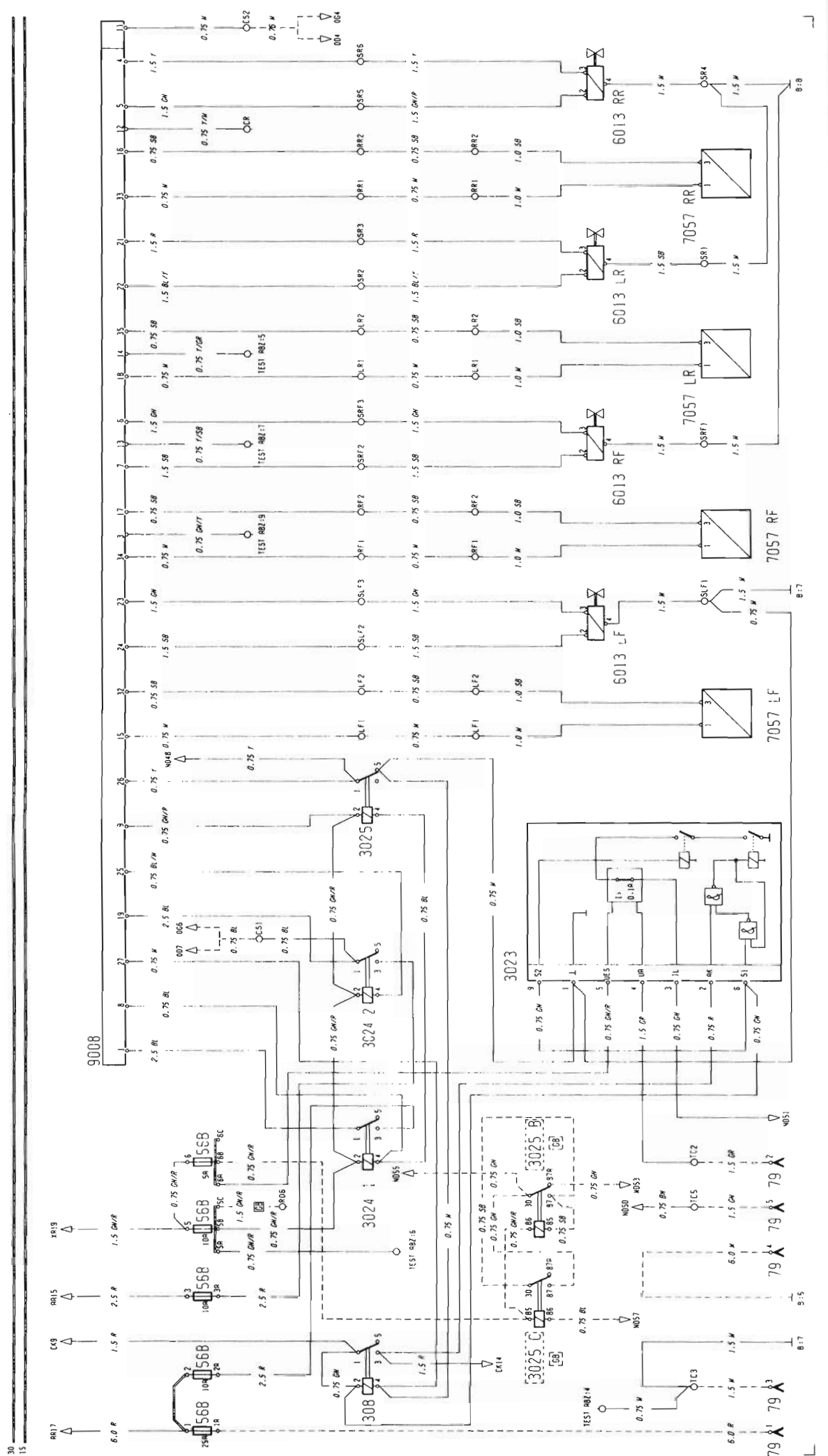
1 2 3 4 5 6 7 8 9 10 11 12 13 14 15 16 17 18 19 20





O A ABS 4

1 2 3 4 5 6 7 8 9 10 11 12 13 14 15 16 17 18 19 20 21 22 23 24 25 26 27 28 29 30 31 32 33 34 35 36 37 38 39 40 41 42 43 44 45 46 47 48 49 50 51 52 53 54 55 56 57 58 59 60 61 62 63 64 65

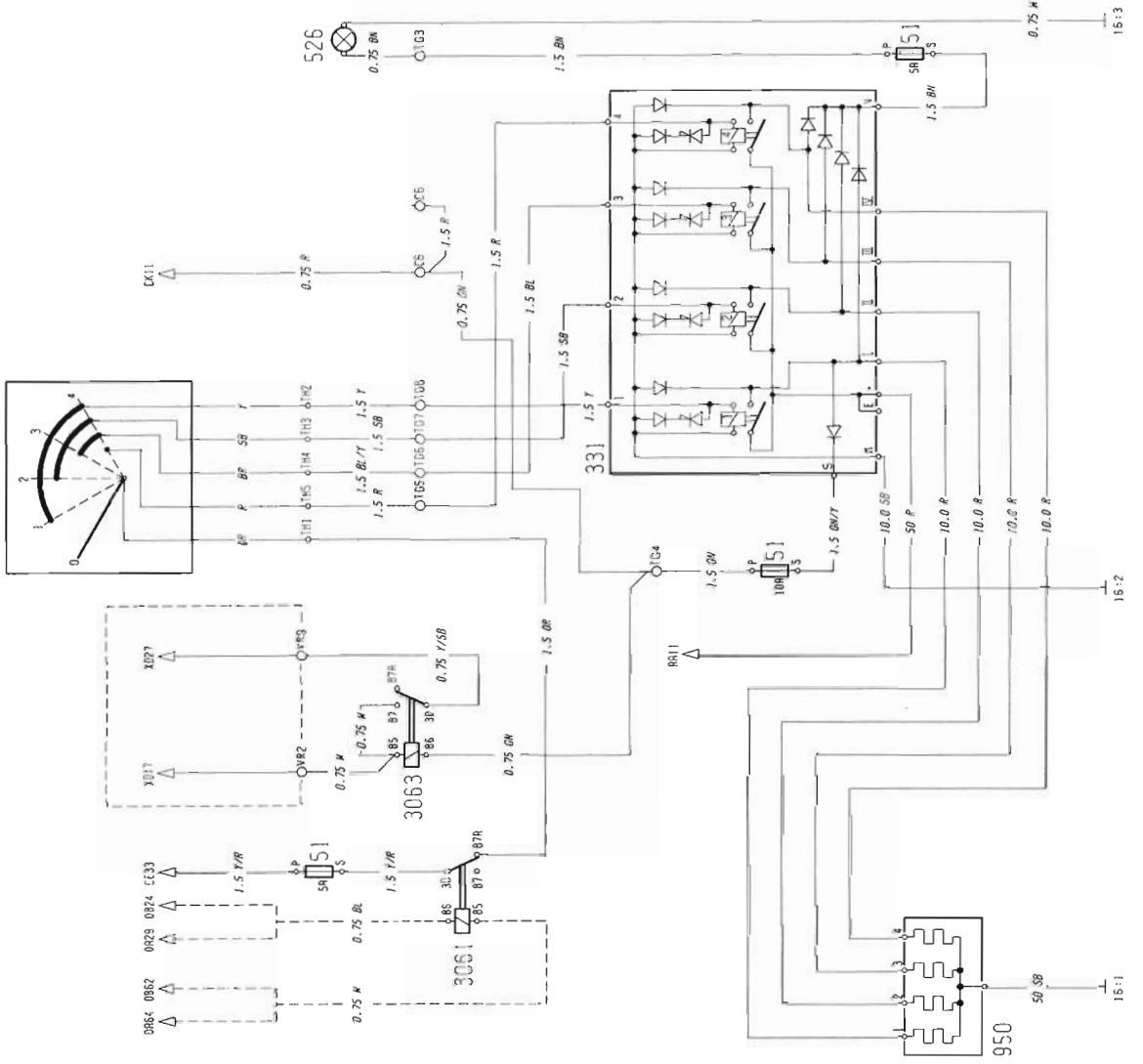




1 2 3 4 5 6 7 8 9 10 11 12 13 14 15 16 17 18 19 20 21 22 23 24 25 26 27 28 29 30 31 32 33 34 35

30
15

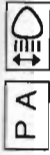
607



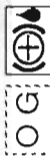
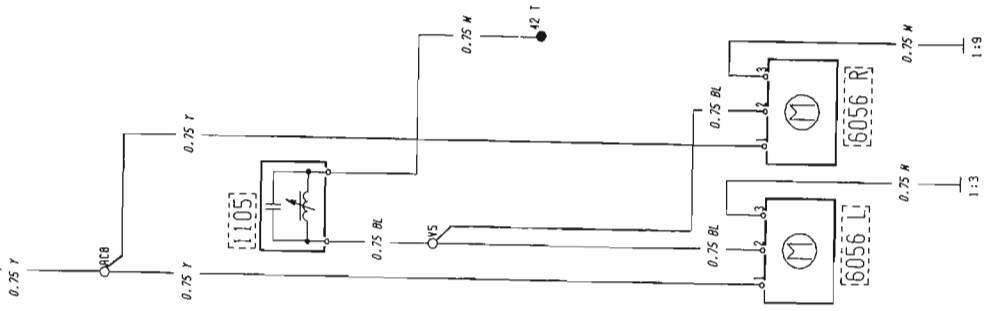
15:3

15:2

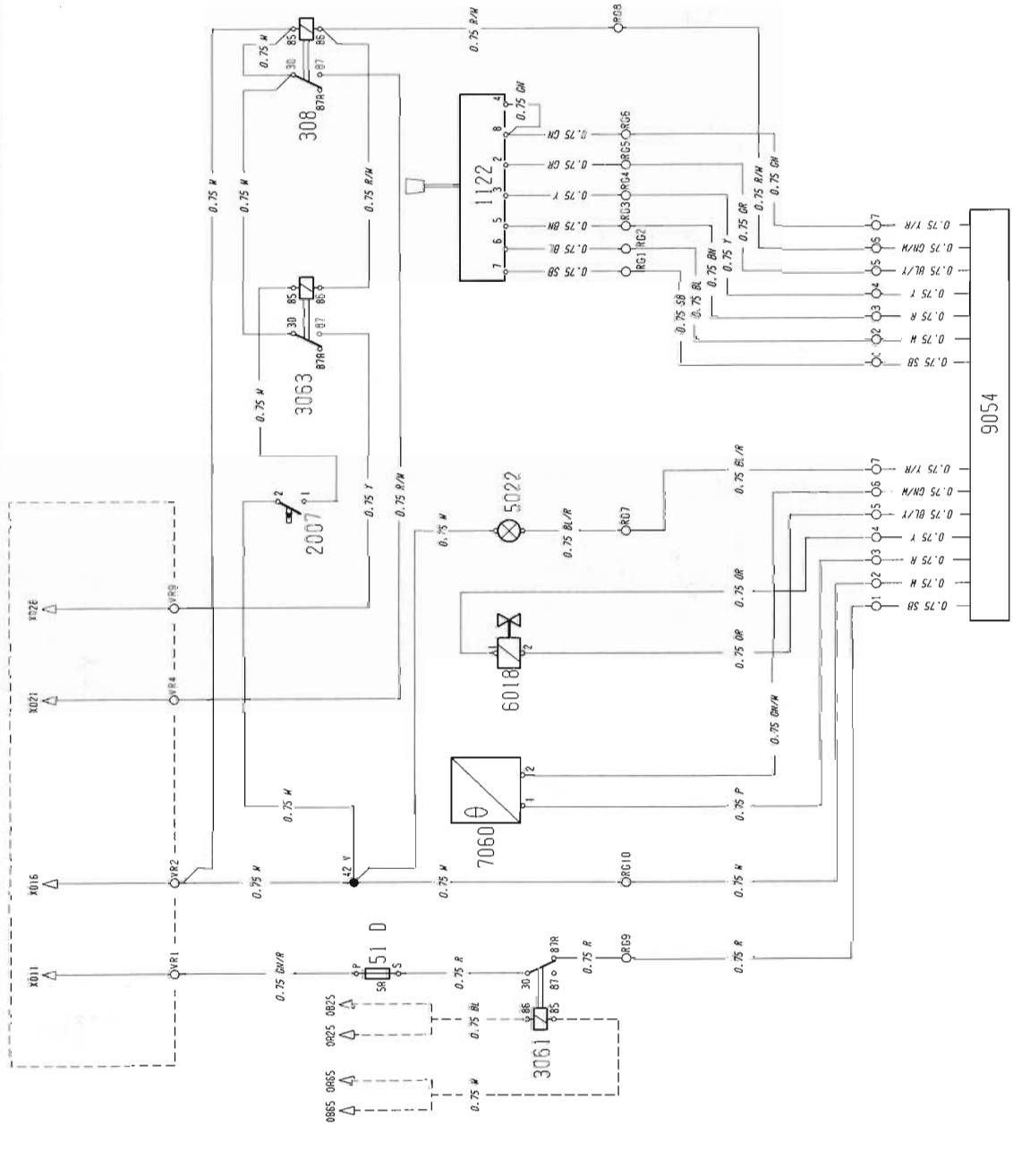
15:1

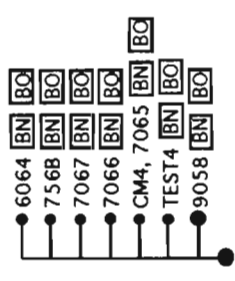
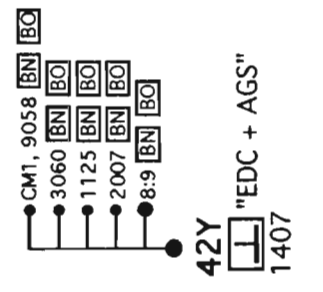
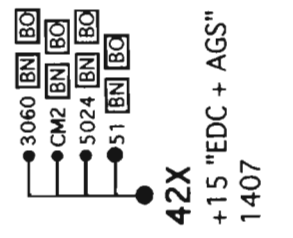
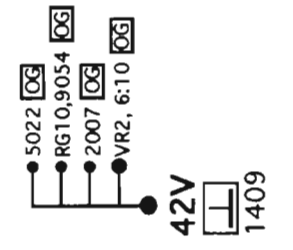
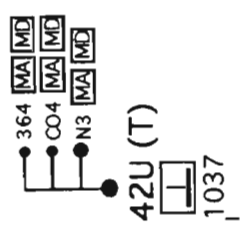
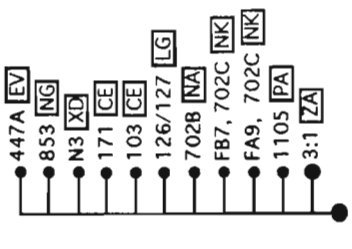
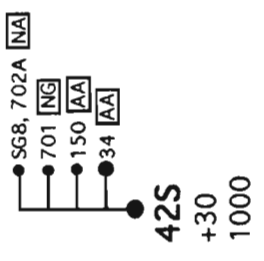
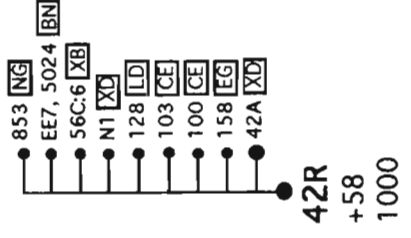
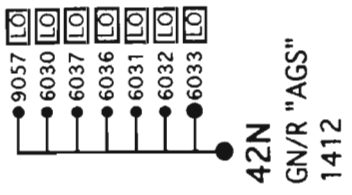
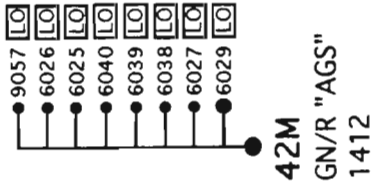
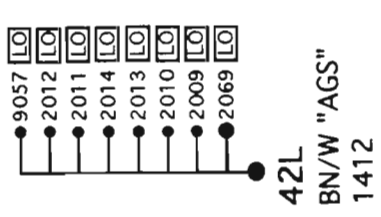
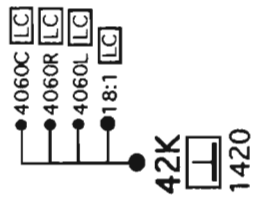
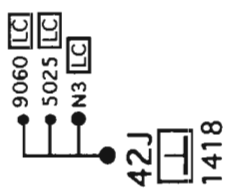
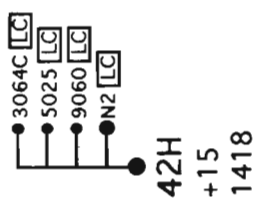
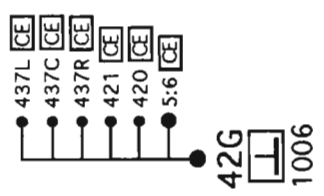
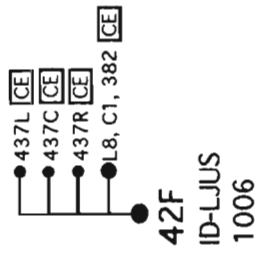
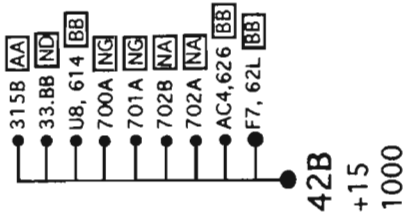
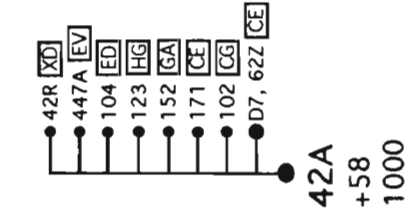


1 2 3 4 5 6 7 8 9 10

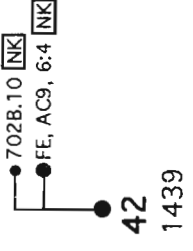
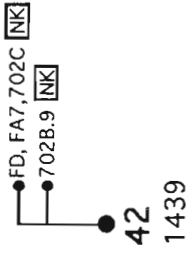
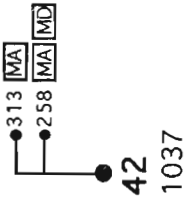
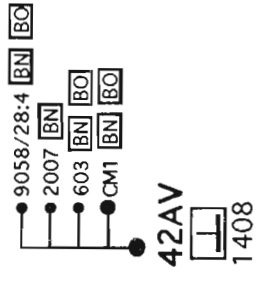
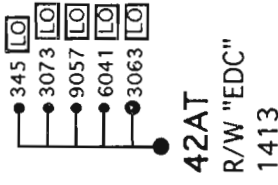
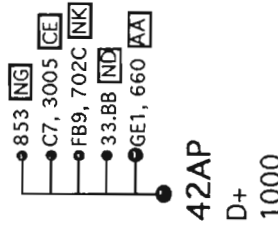
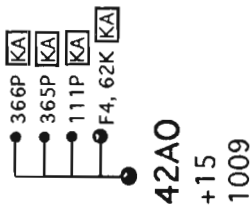
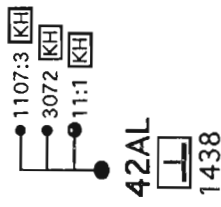
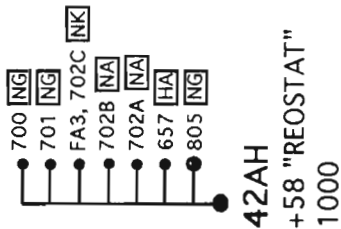
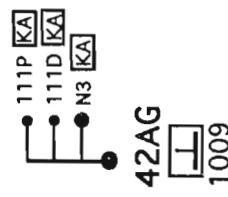
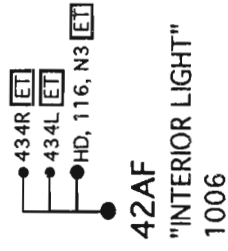
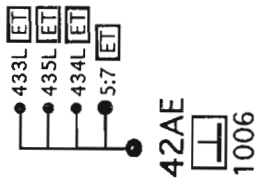
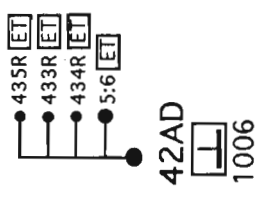
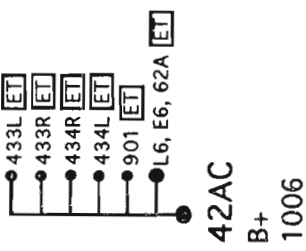
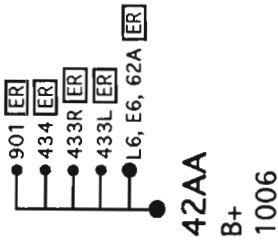


1 2 3 4 5 6 7 8 9 10 11 12 13 14 15 16 17 18 19 20 21 22 23 24 25 26 27 28 29 30 31 32 33 34 35 36 37 38 39 40

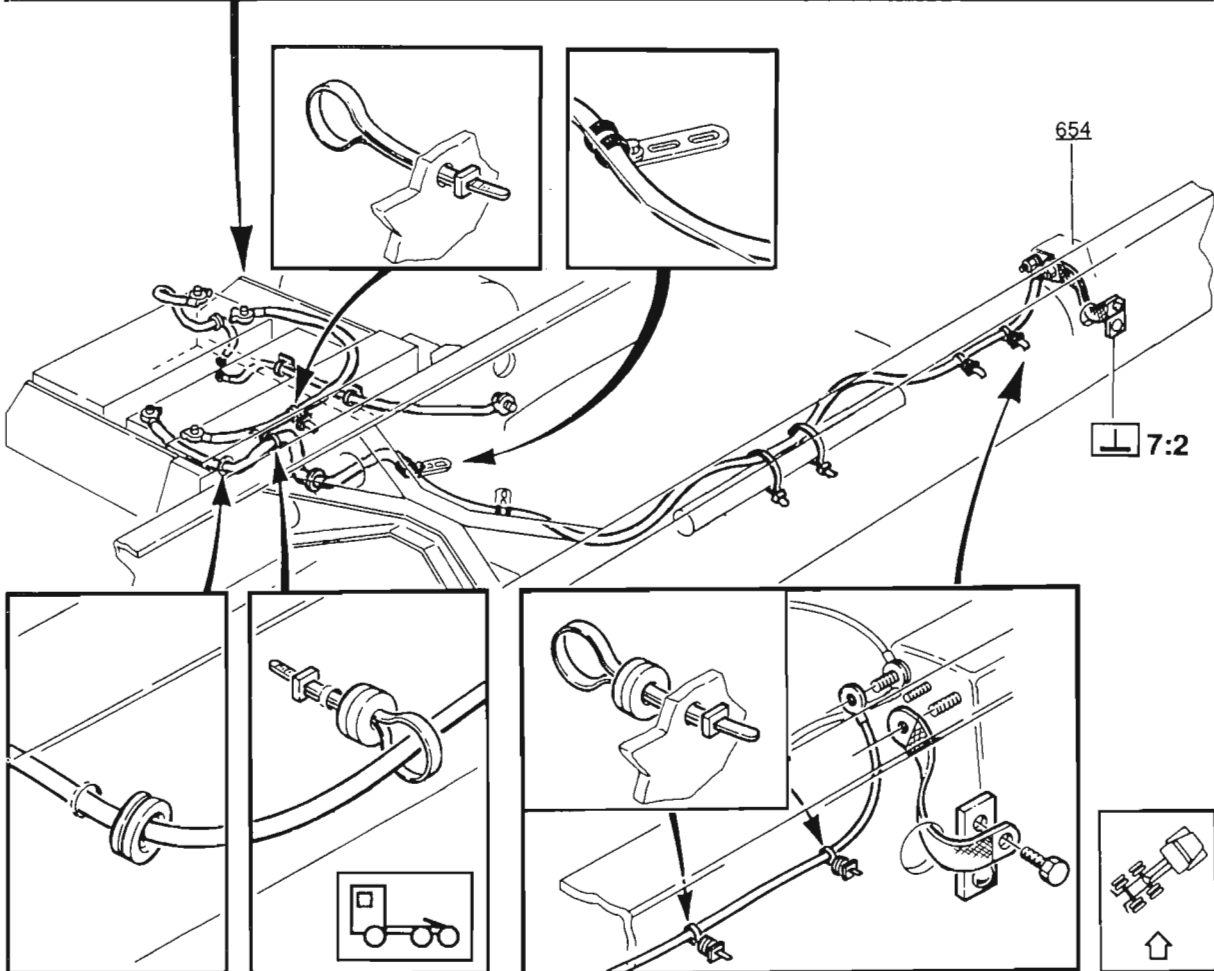
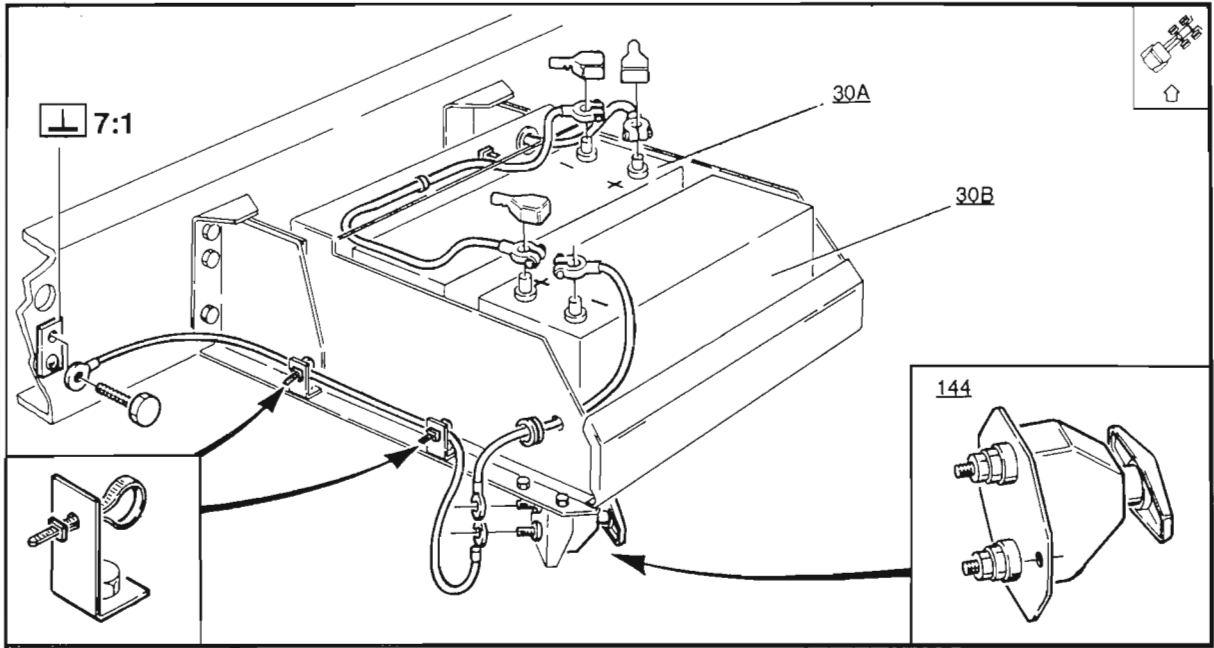




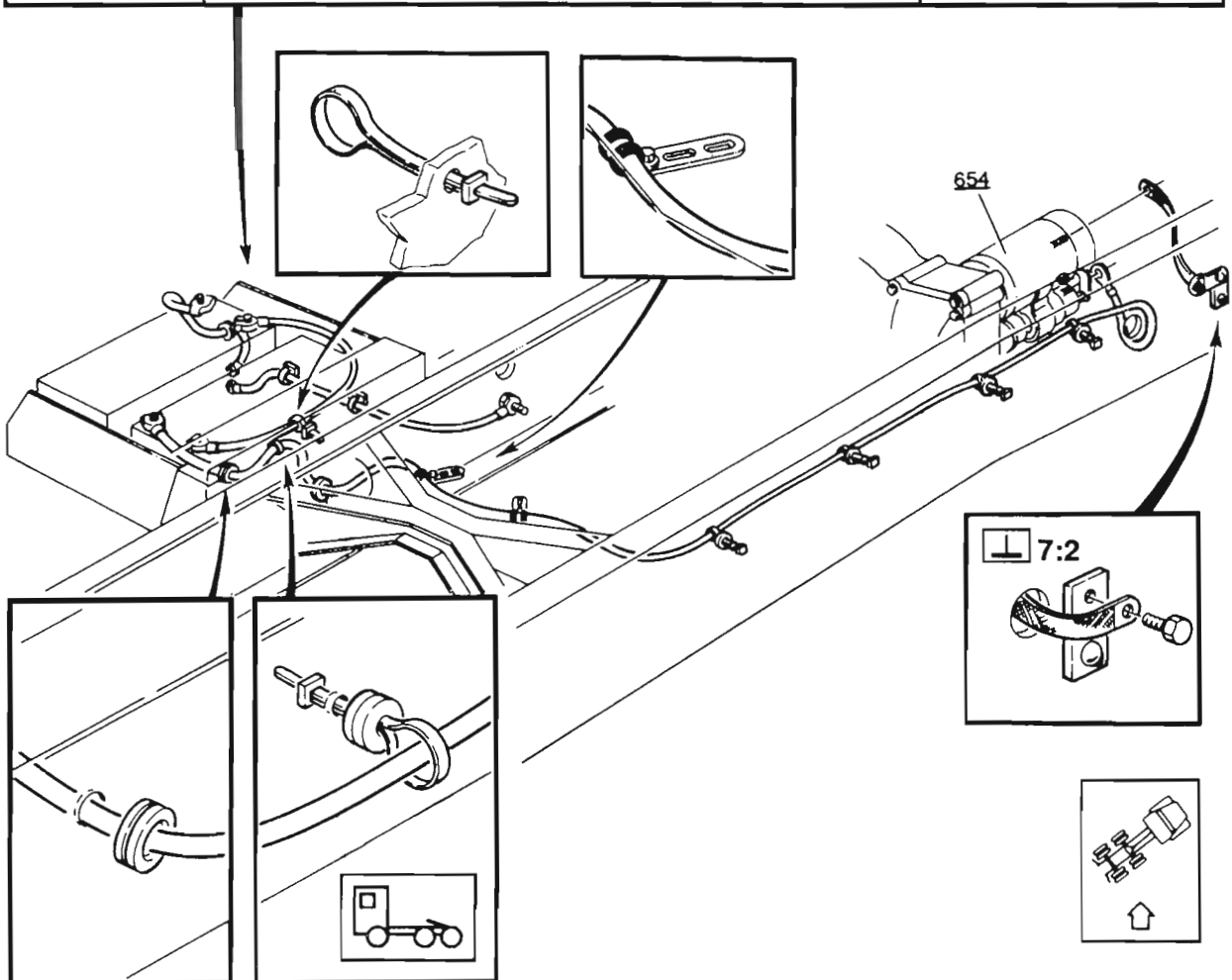
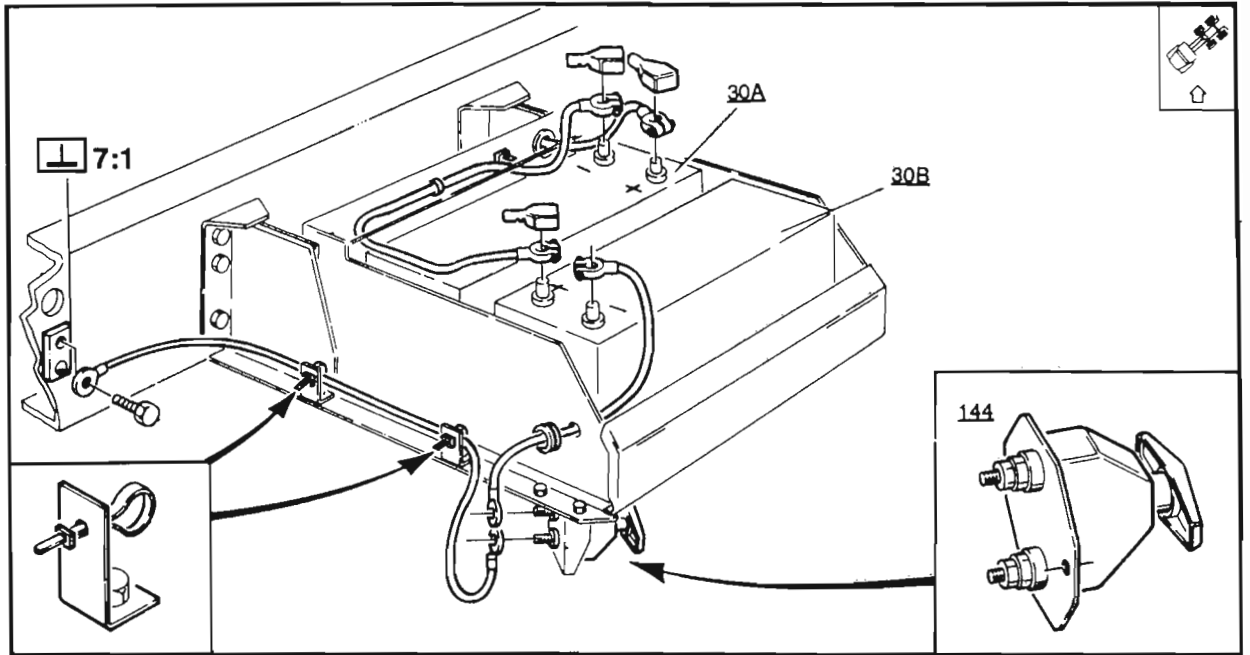
1 2 3 4 5 6 7 8 9 10 11 12 13 14 15 16 17 18 19 20 21 22 23 24 25 26 27 28 29 30 31 32 33 34 35 36 37 38 39 40 41 42 43 44 45 46 47 48 49 50 51 52 53 54 55 56 57 58 59 60 61 62 63 64 65



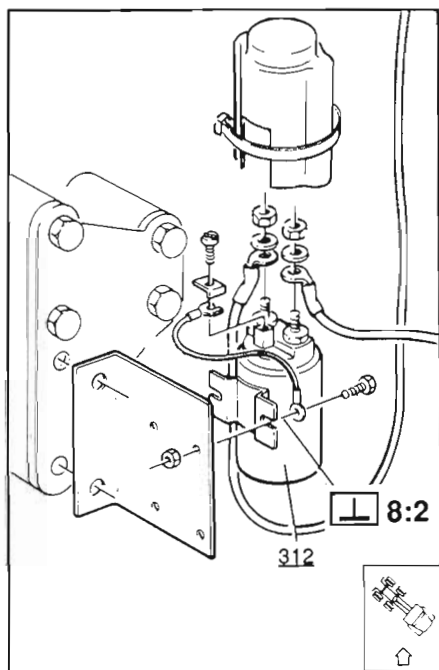
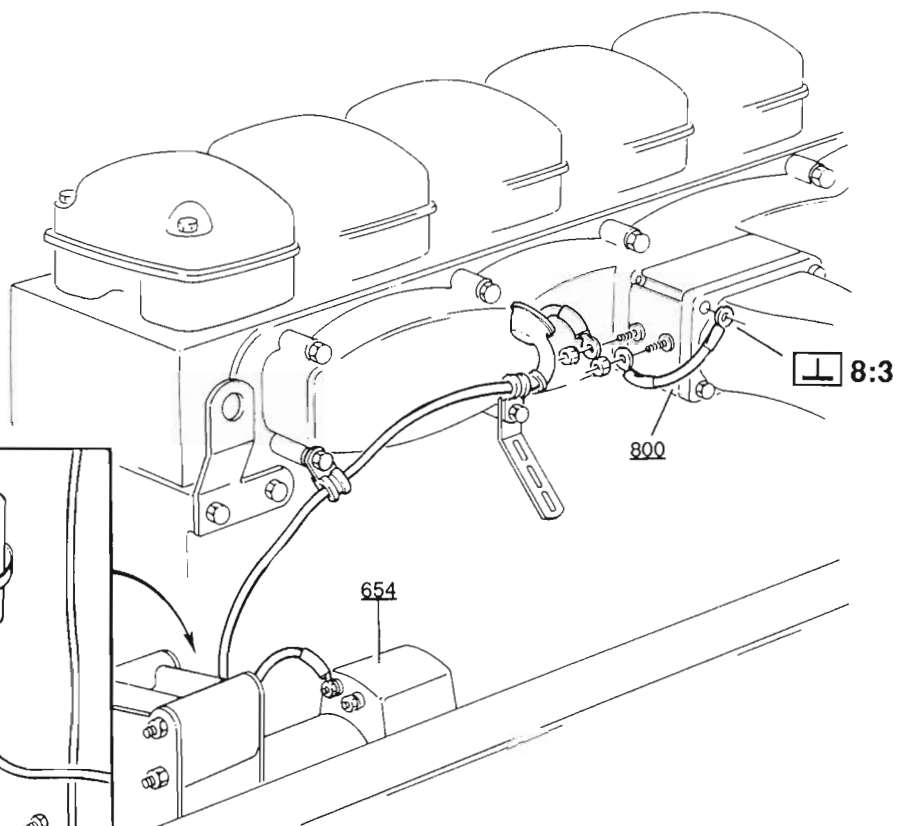
F10, F12



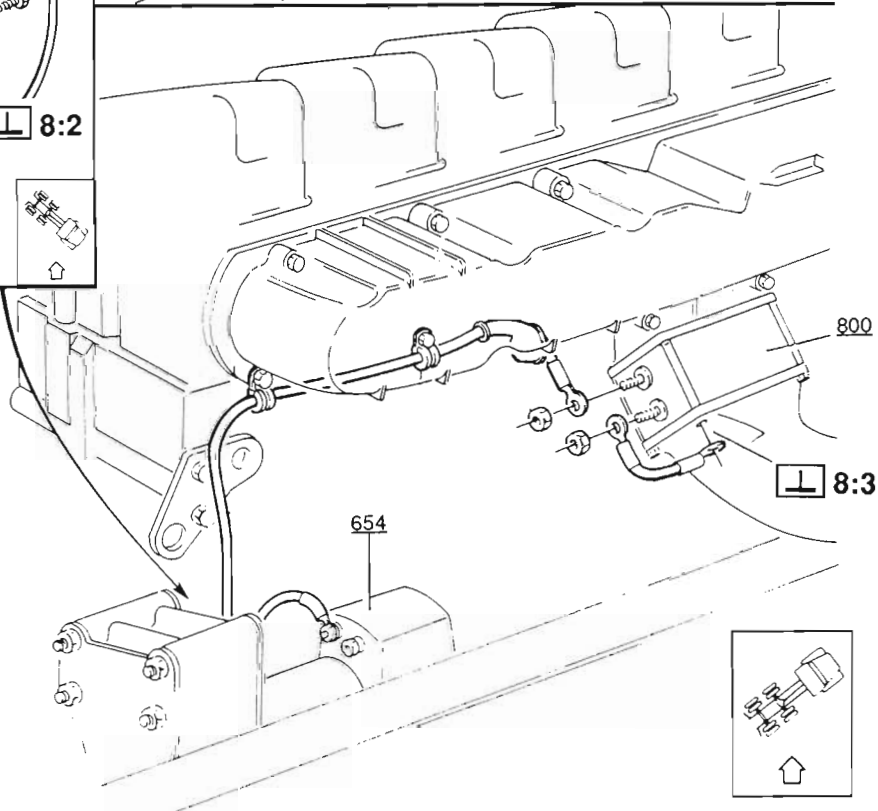
F16



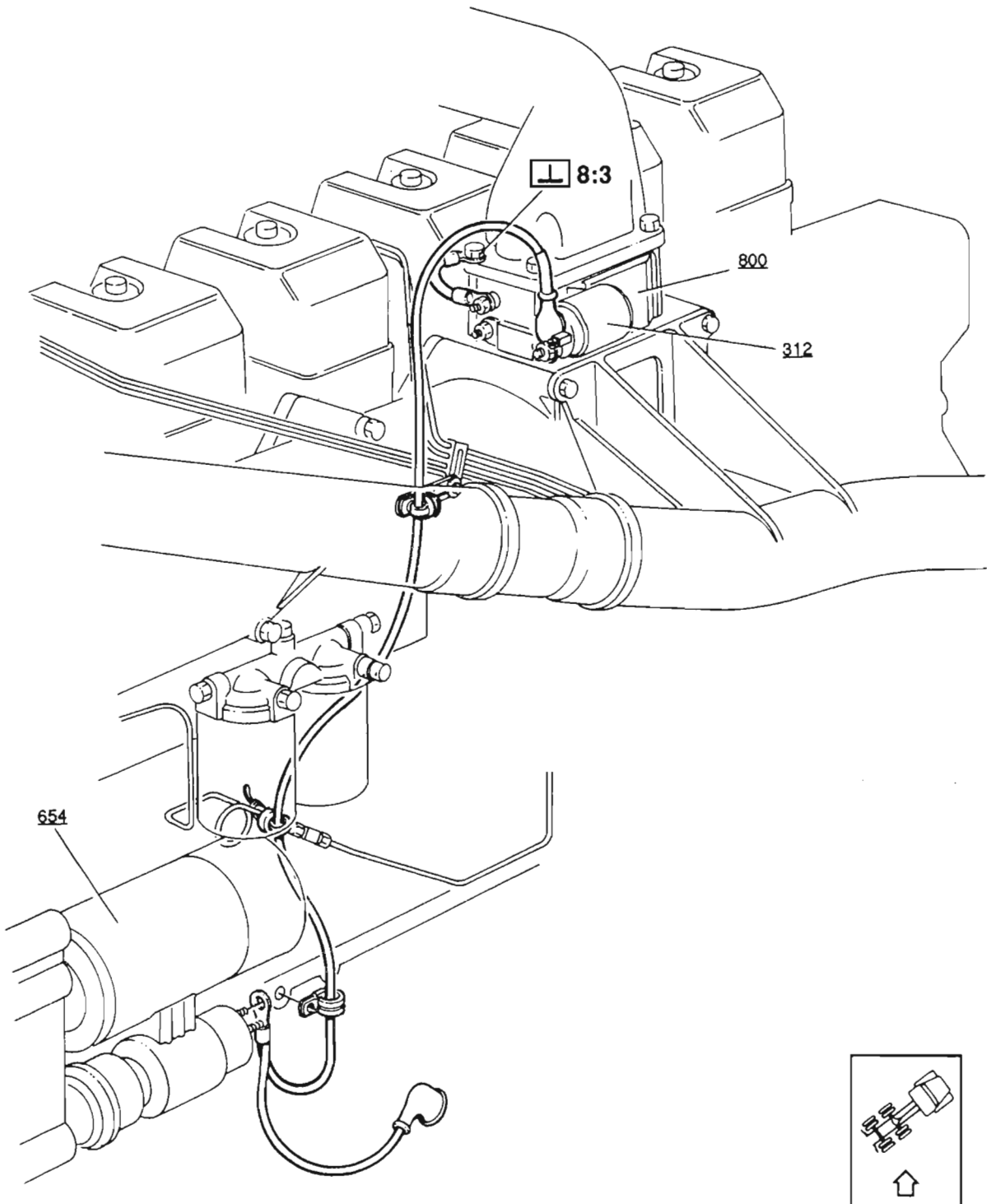
F10



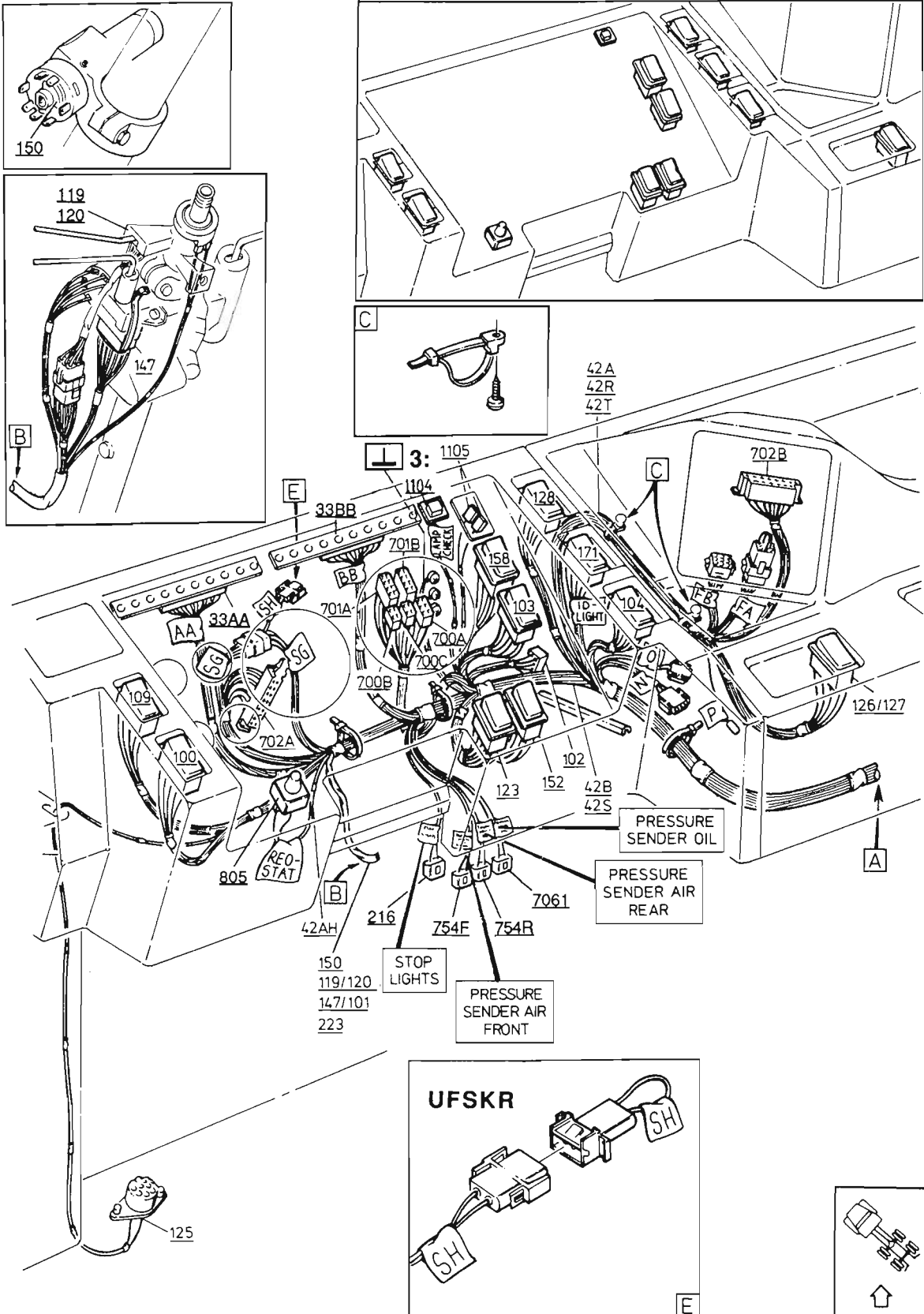
F12

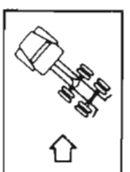
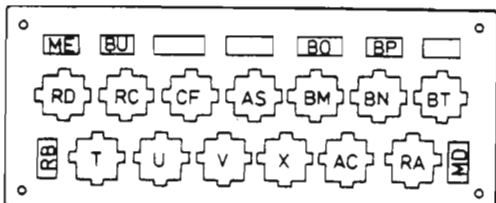
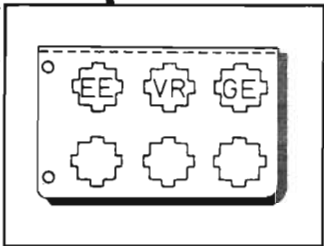
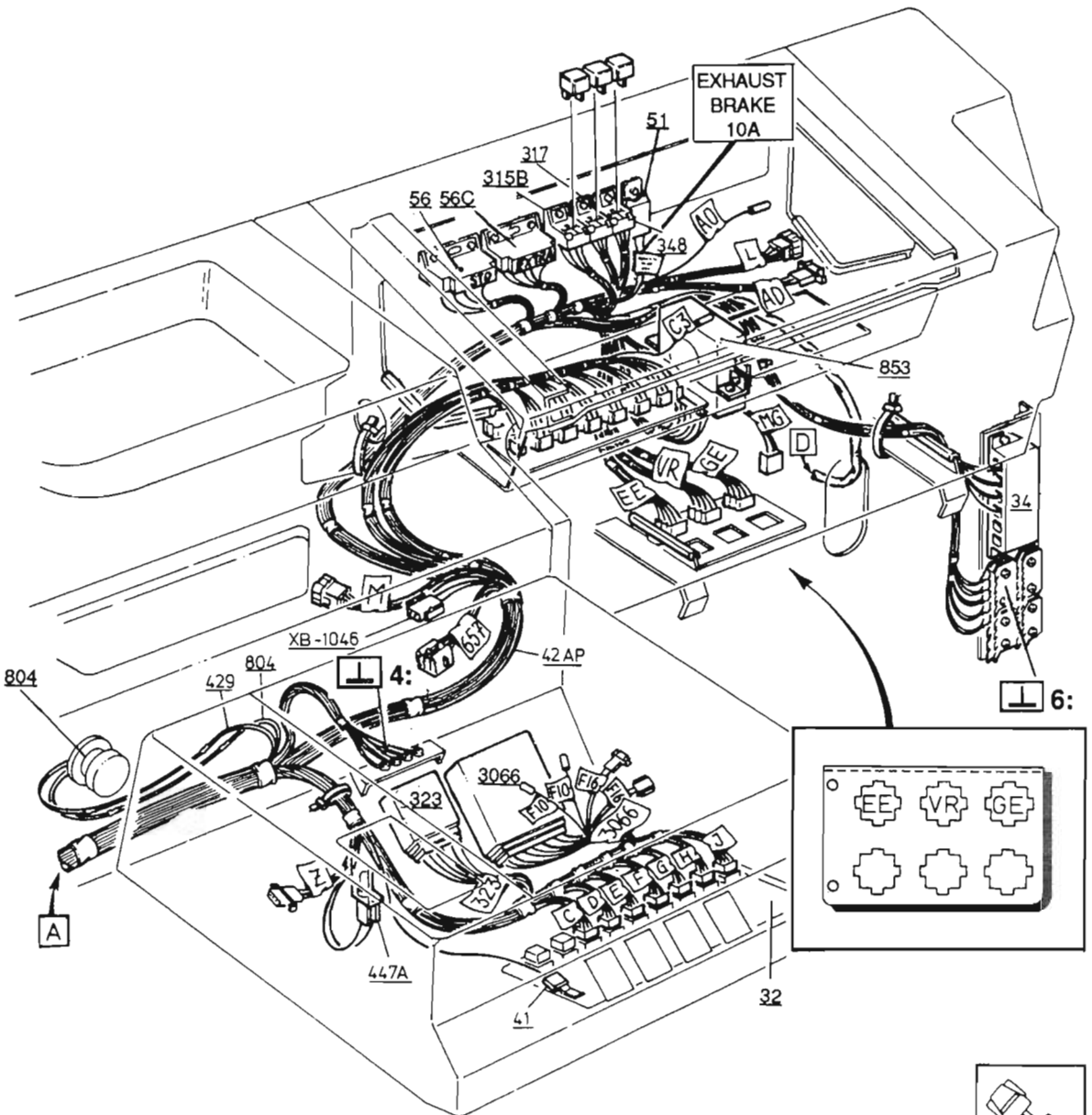
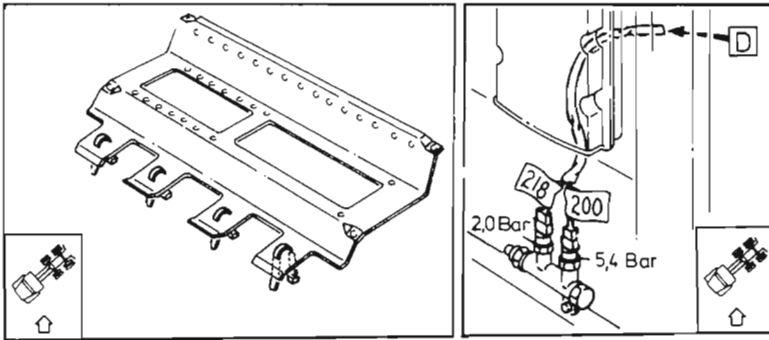


F16



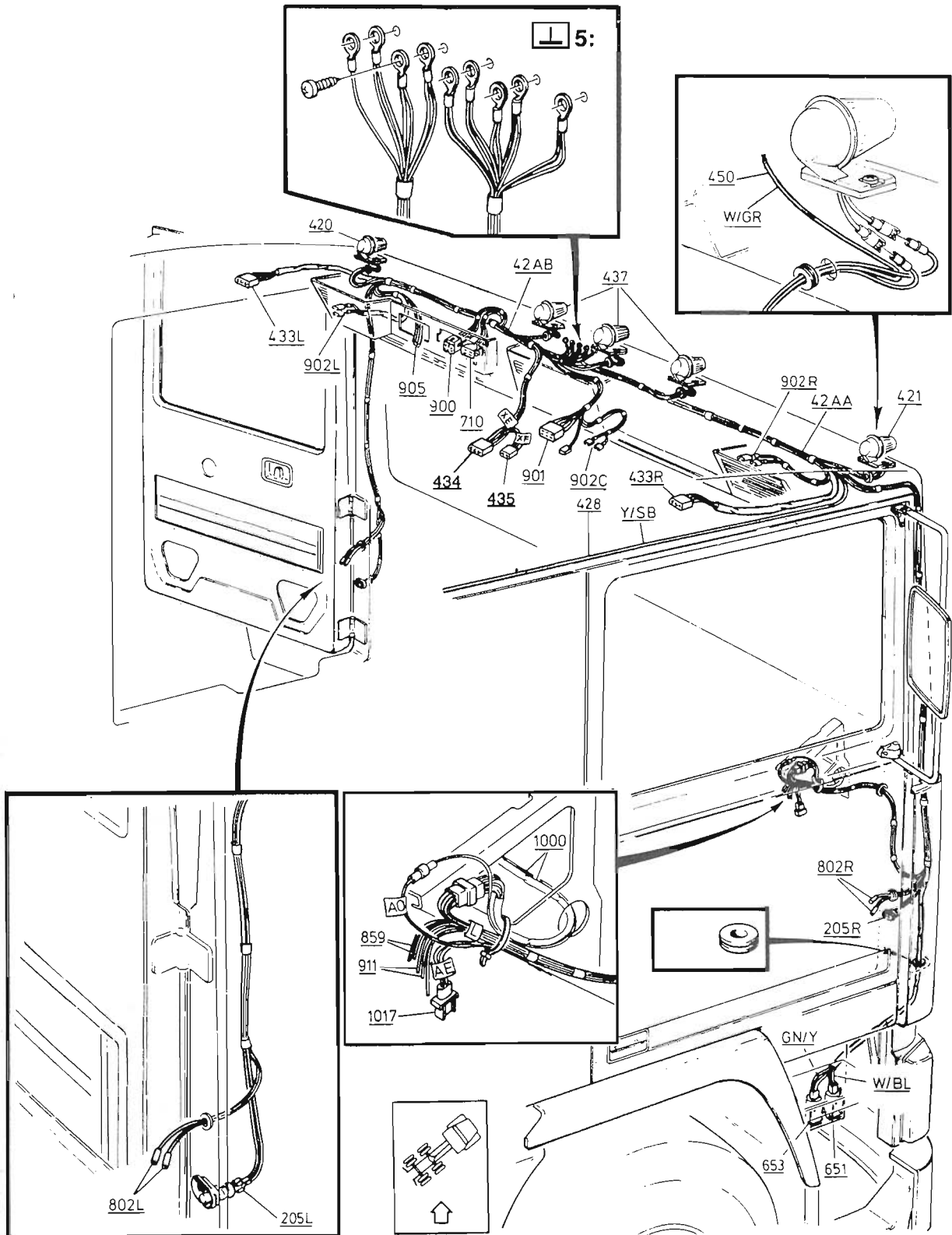
1000



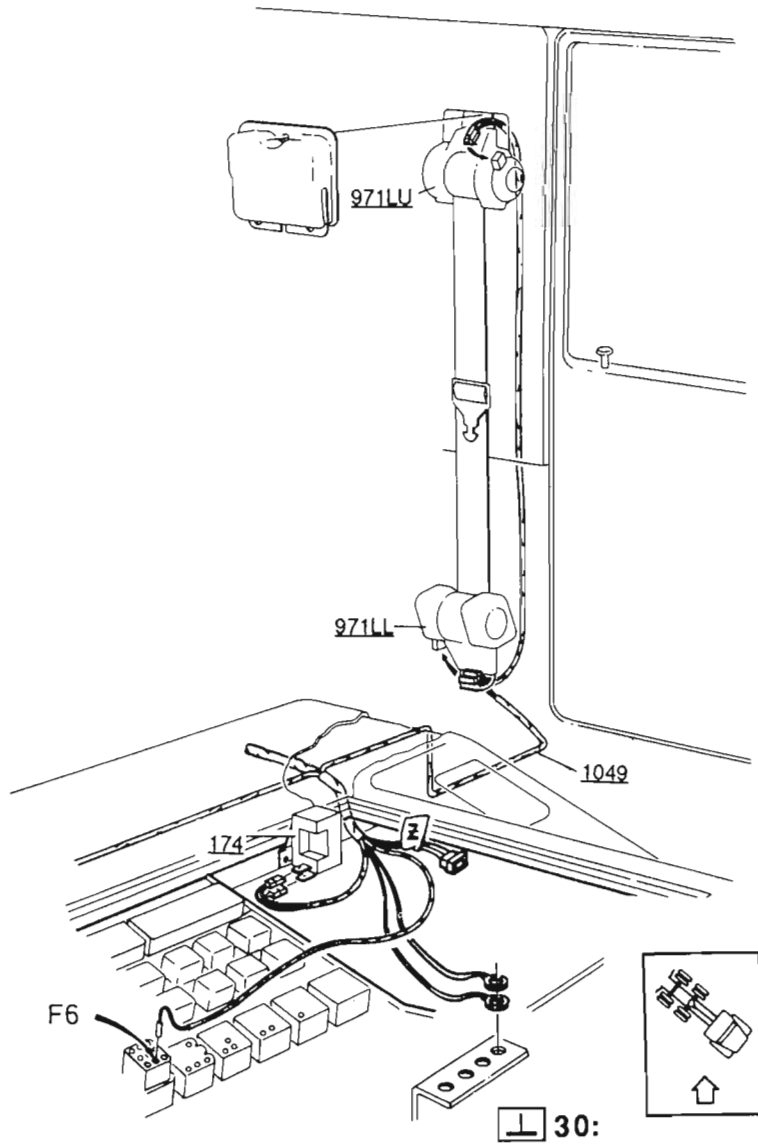
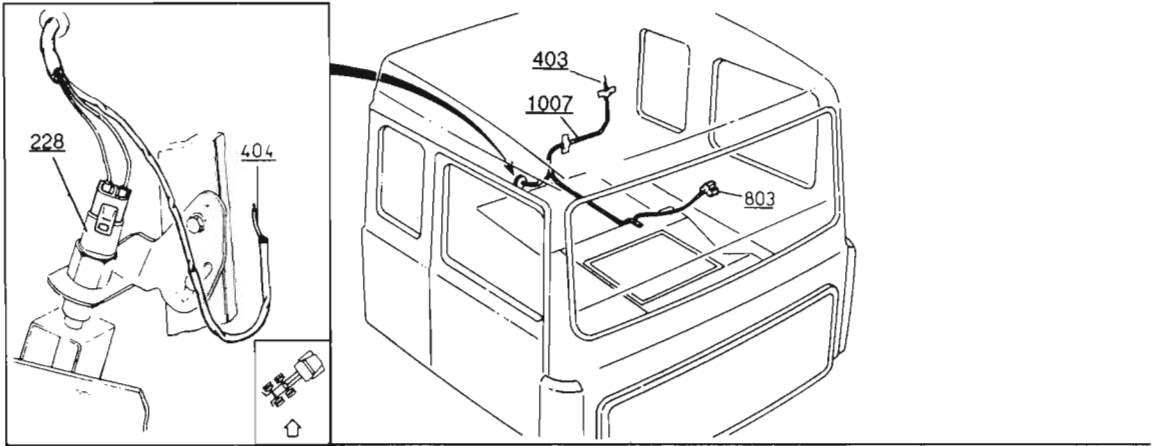


1006

KH/LH

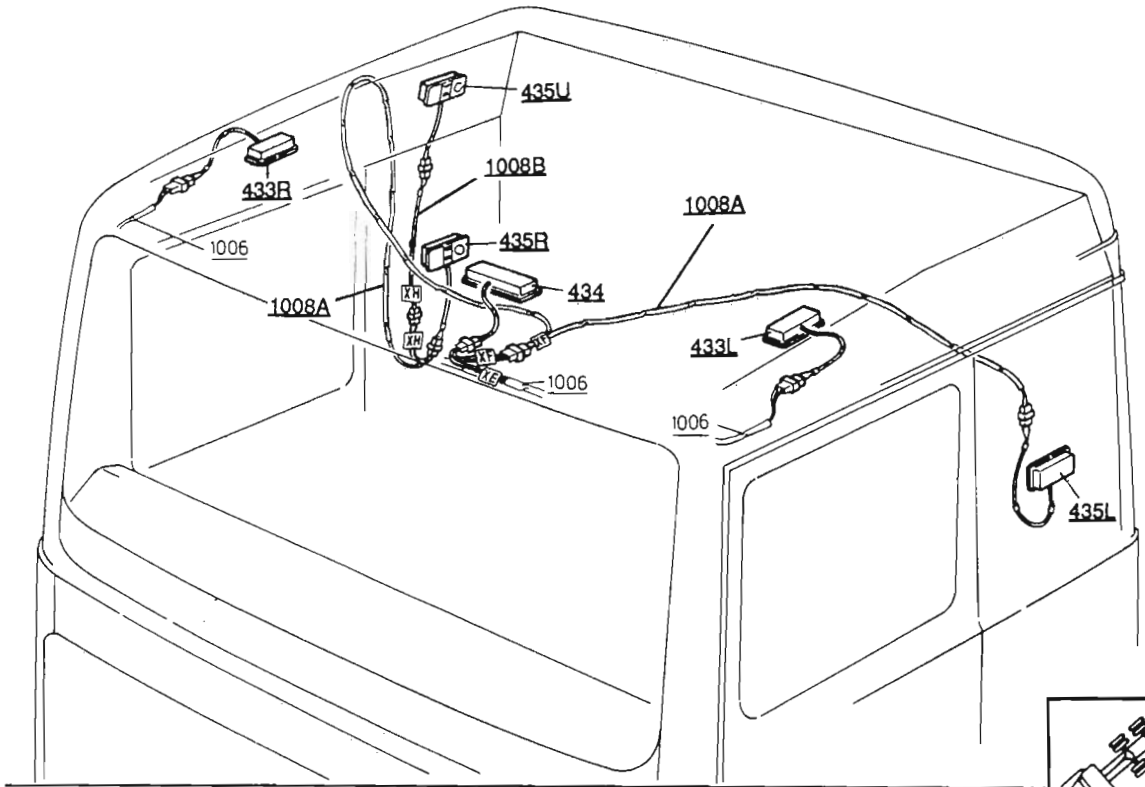


1007, 1049



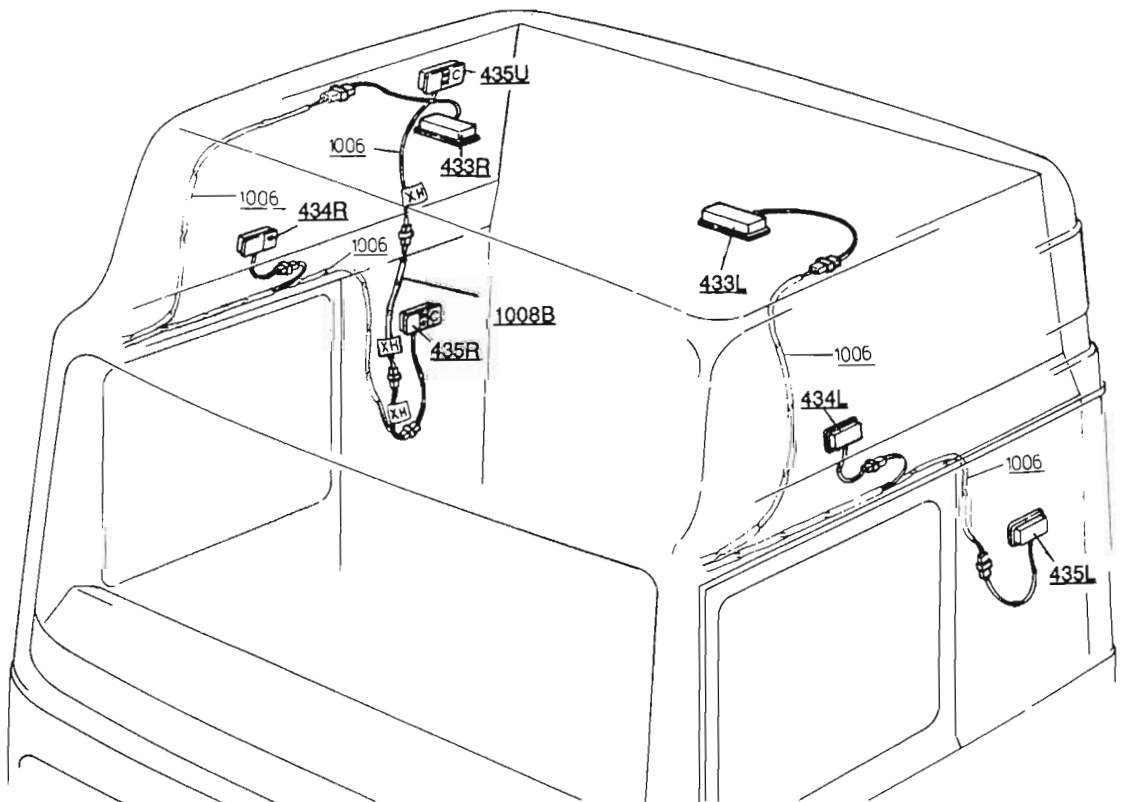
1008A, 1008B

KH/LH



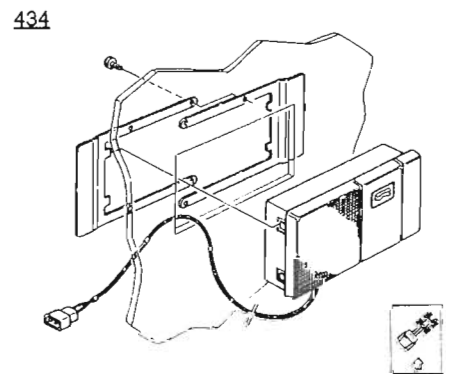
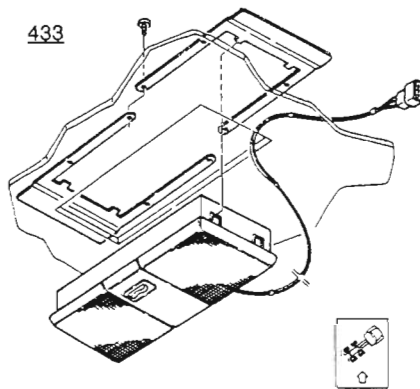
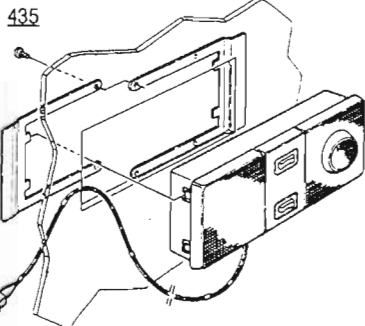
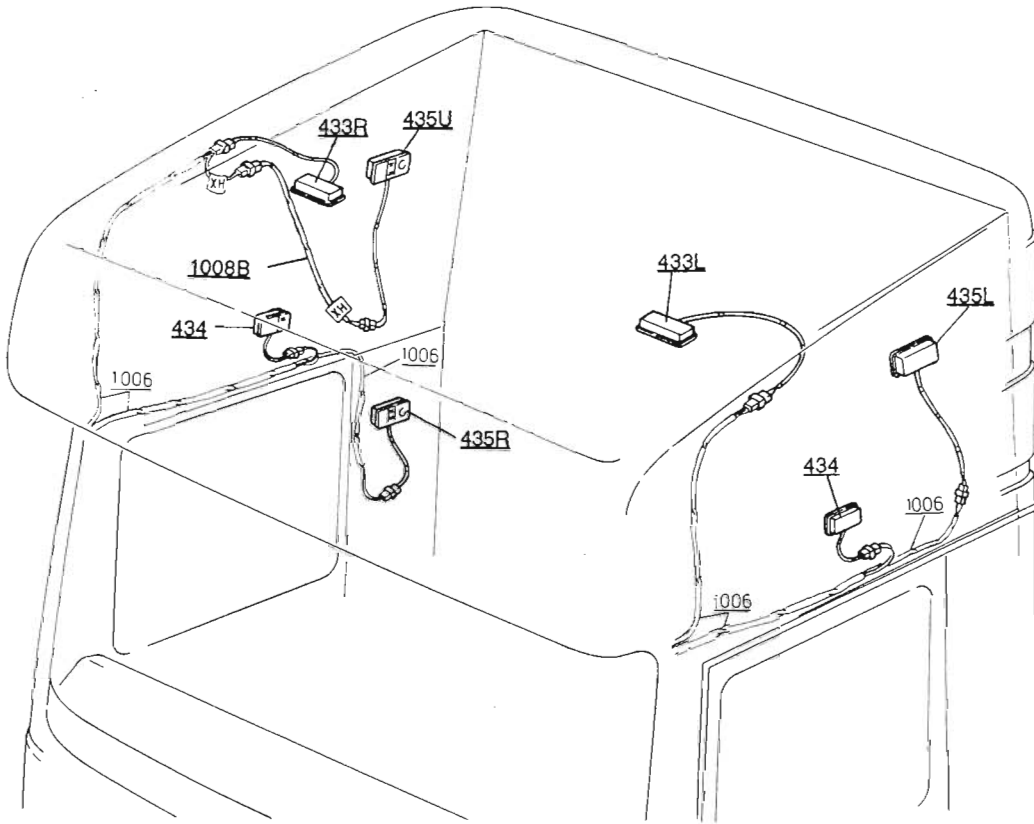
1008B

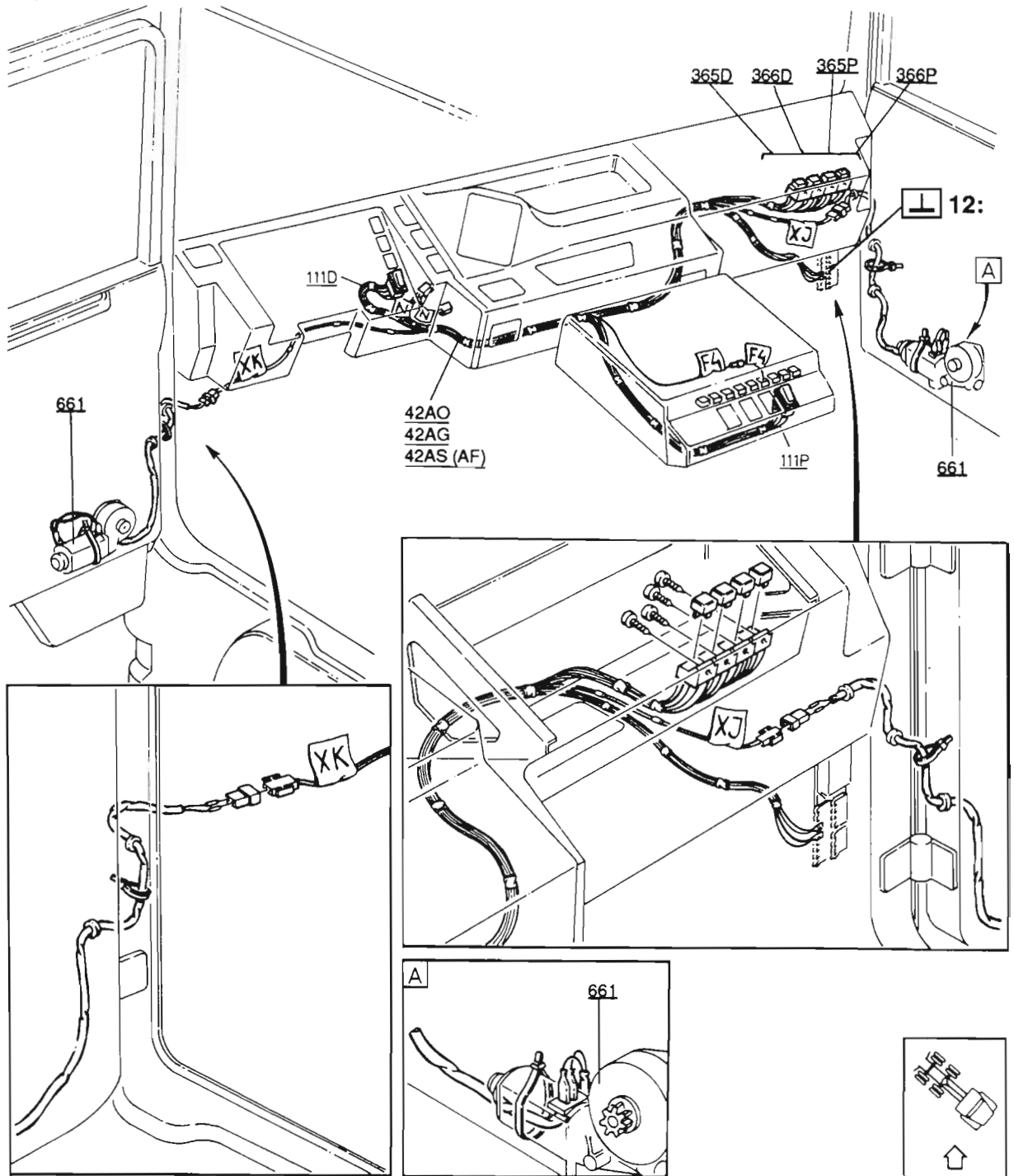
LHH



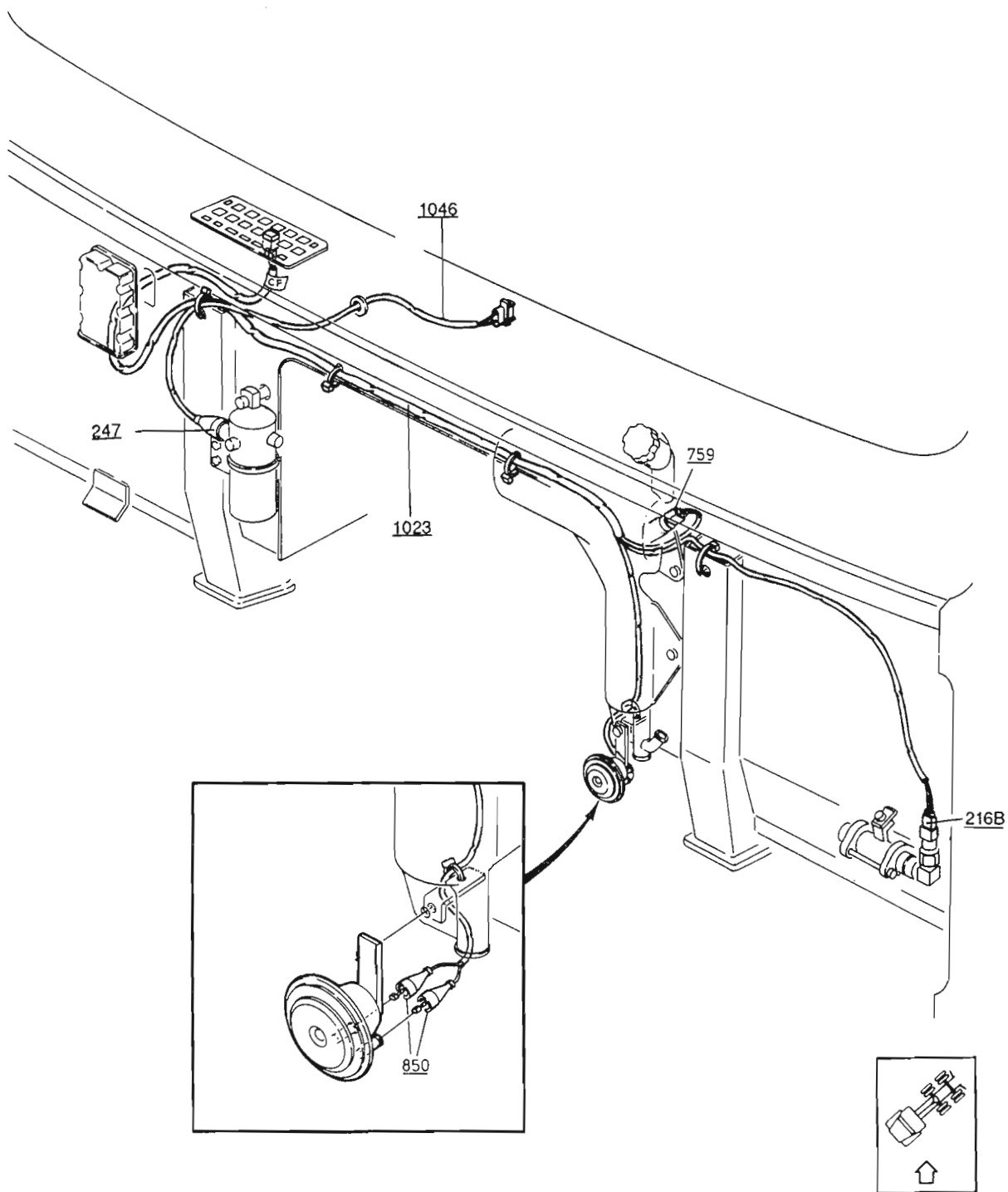
1008B

KHH



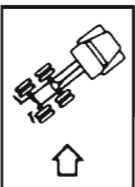
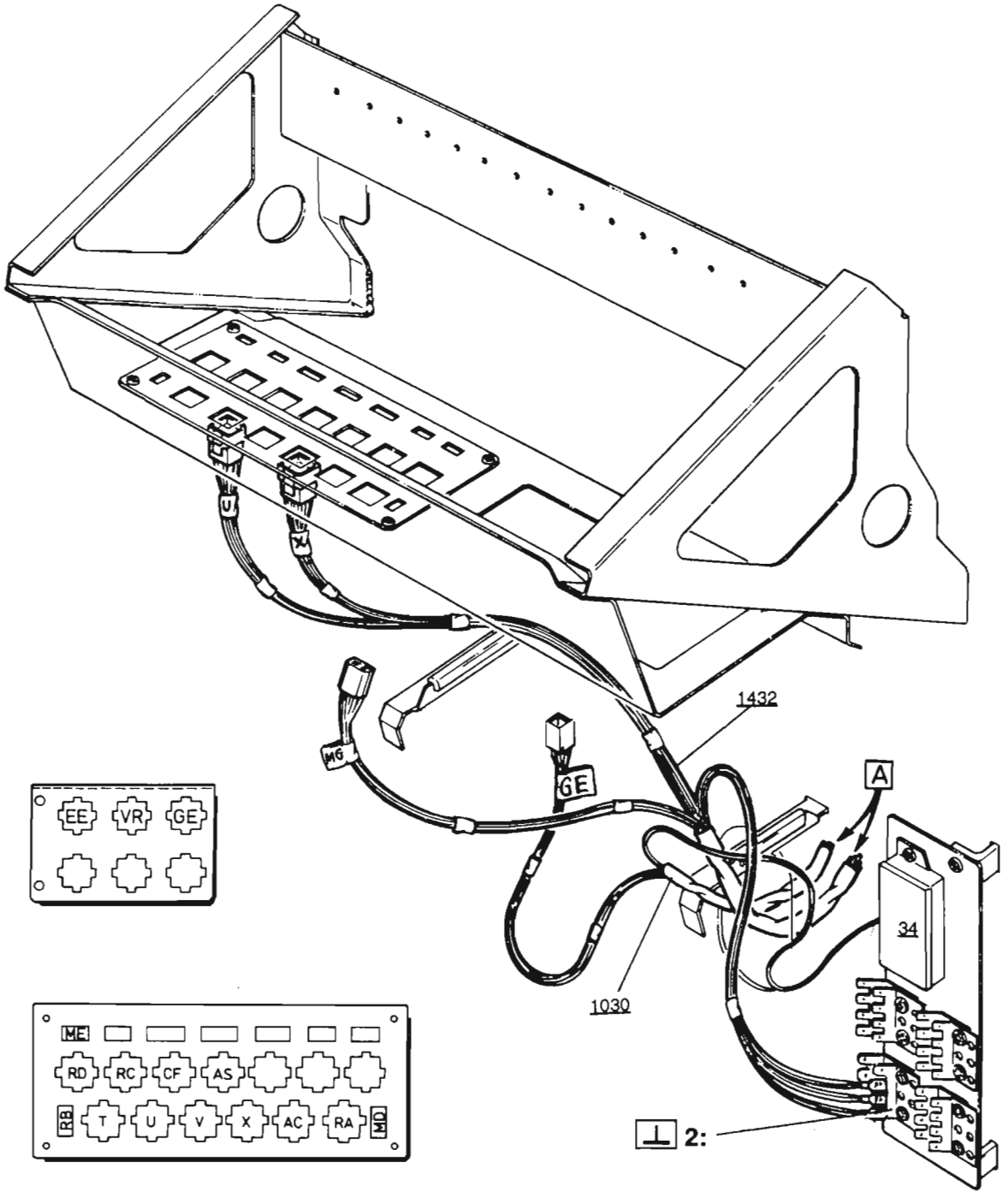


1023, 1046



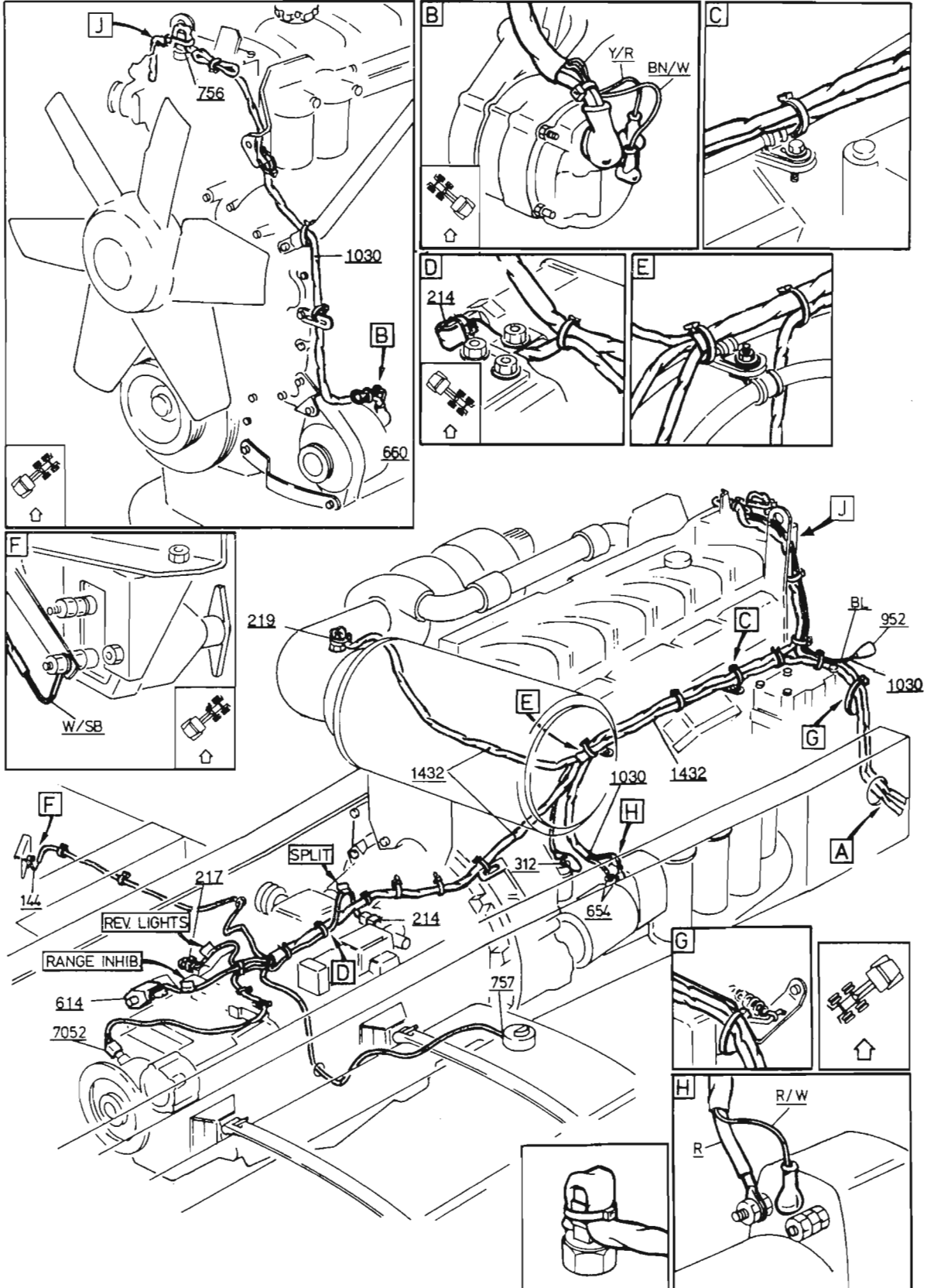
1030, 1432

F10, F12, F16



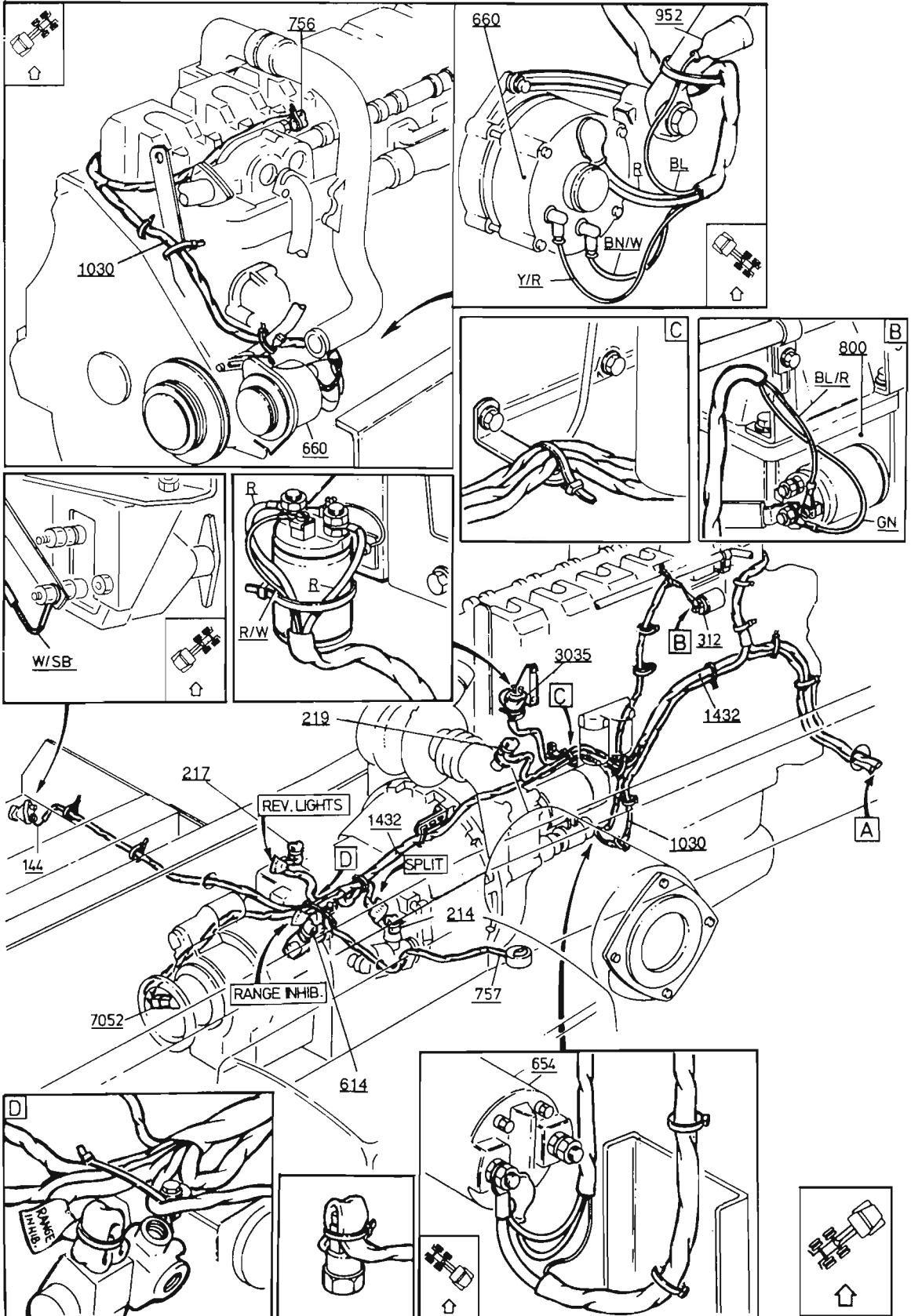
1030,1432

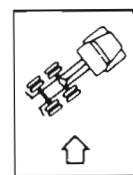
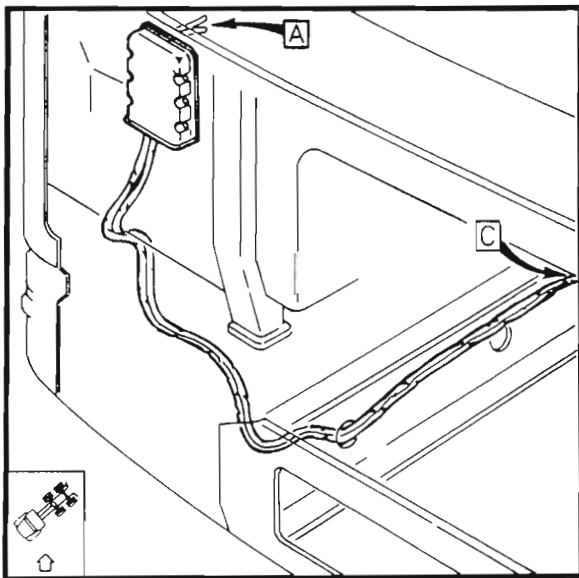
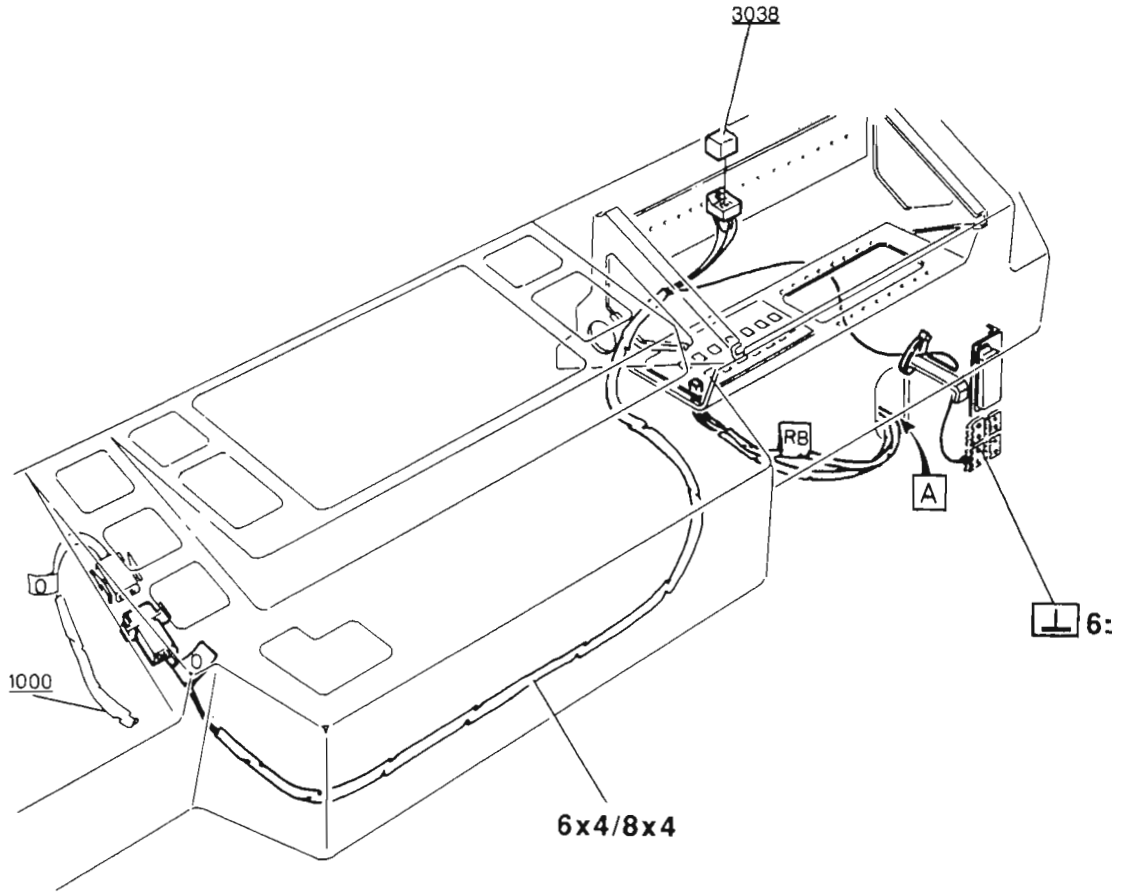
F12



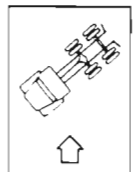
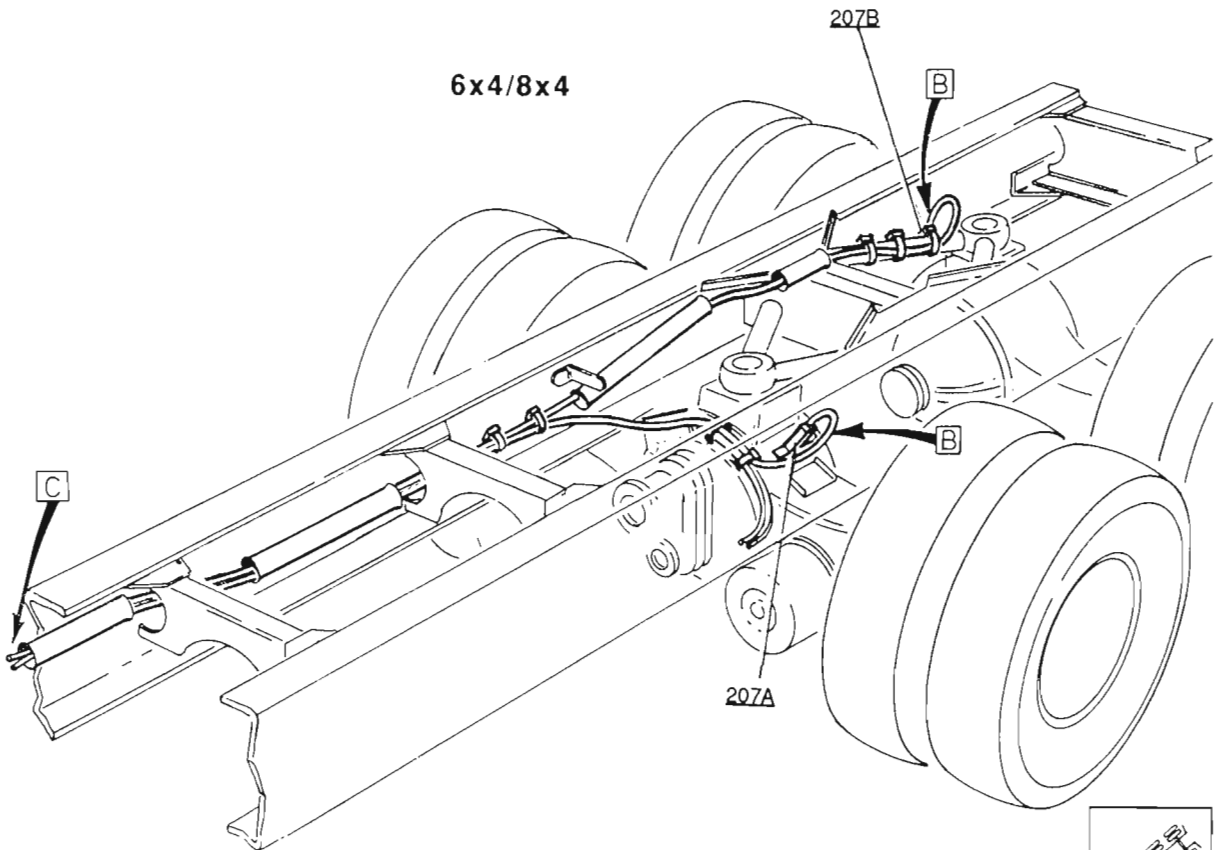
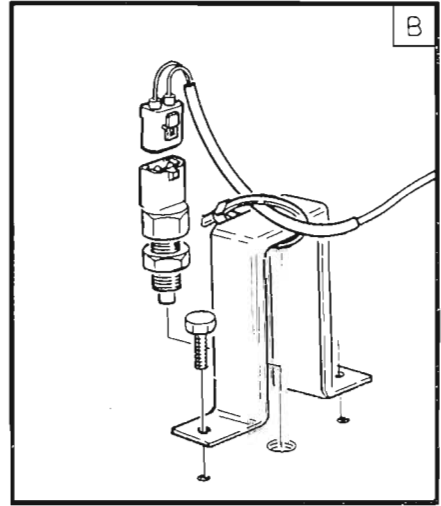
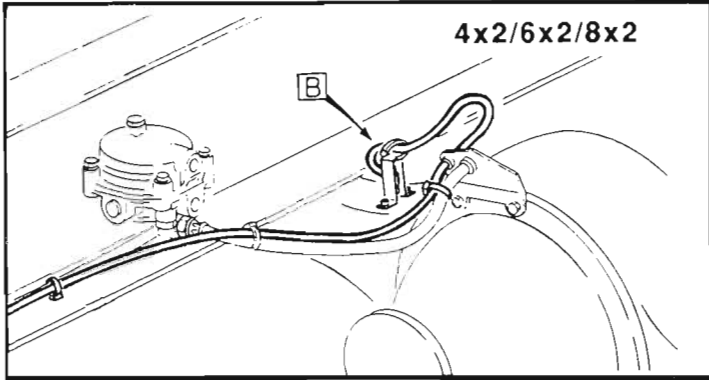
1030,1432

F16

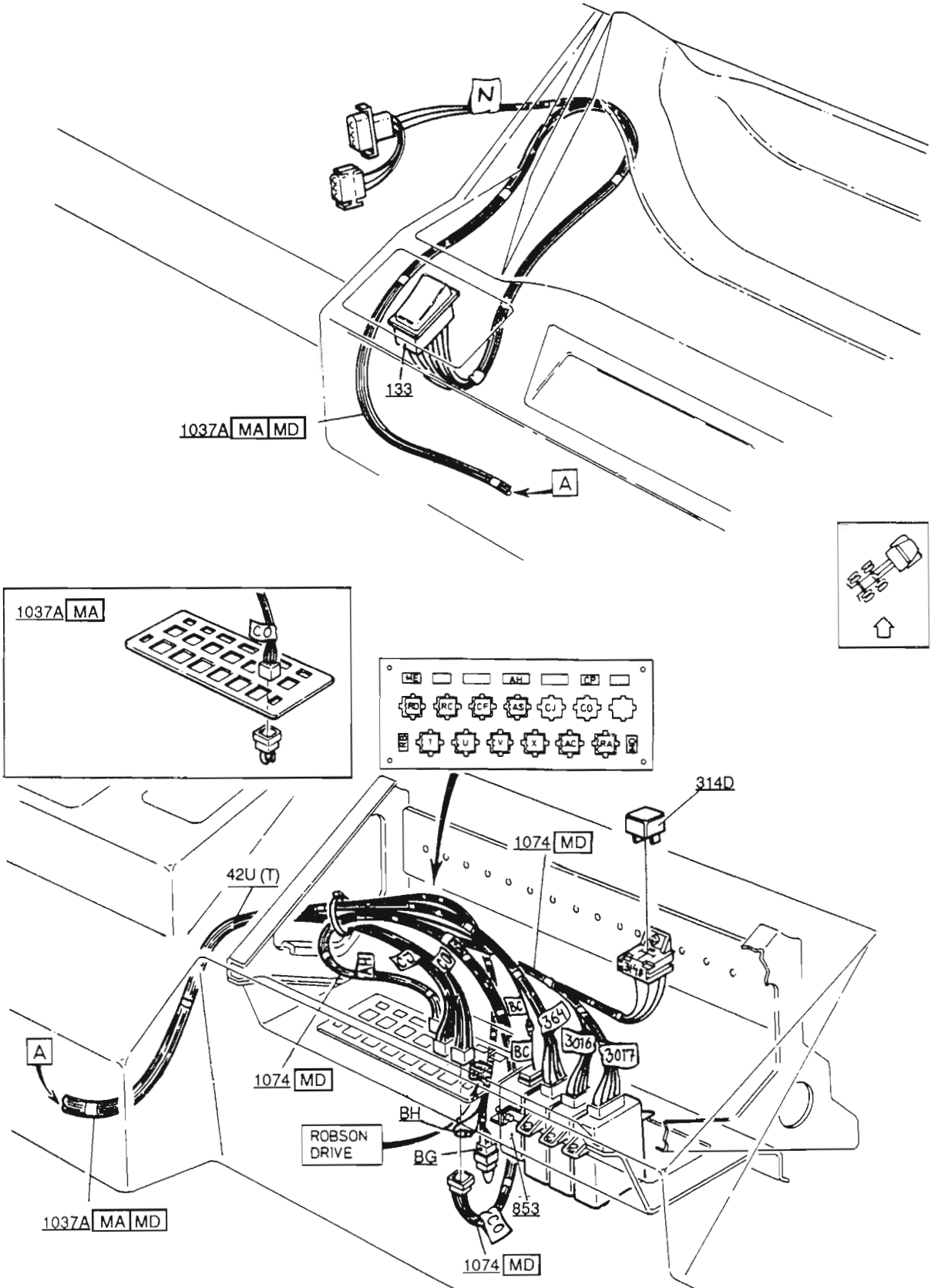




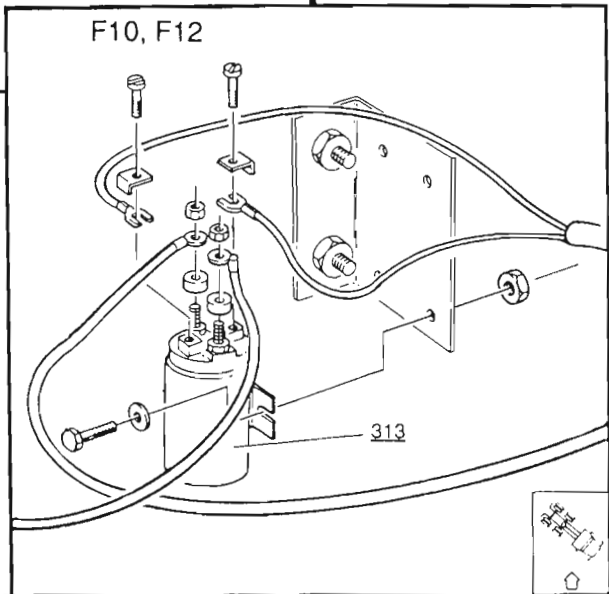
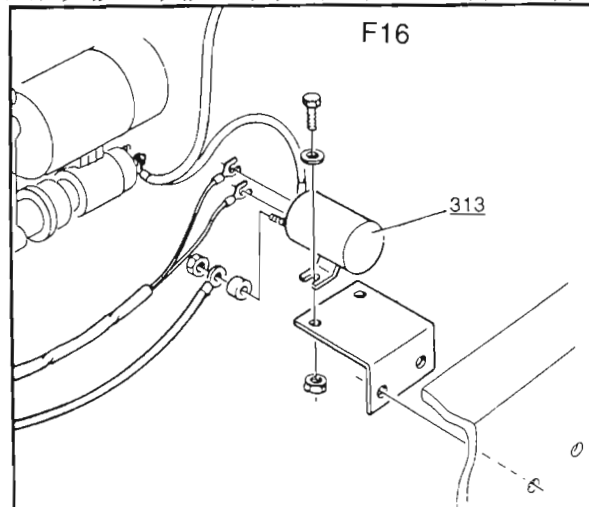
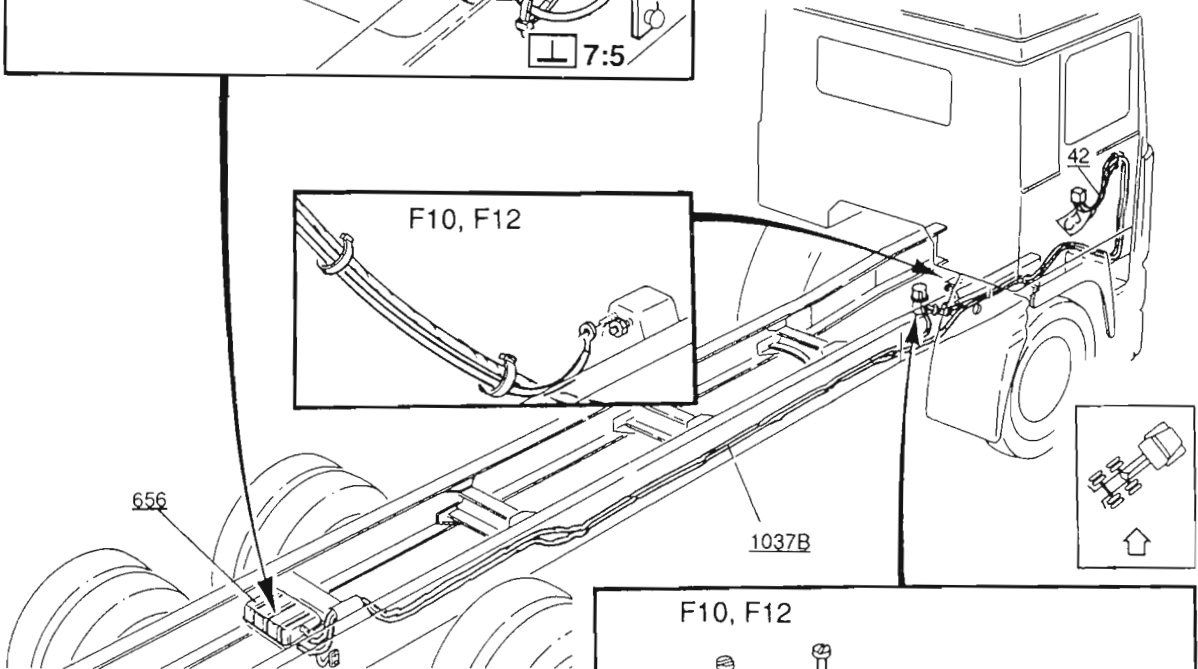
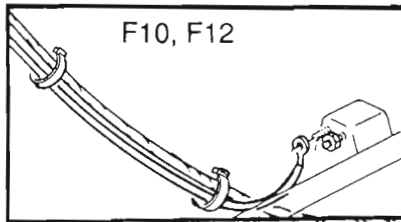
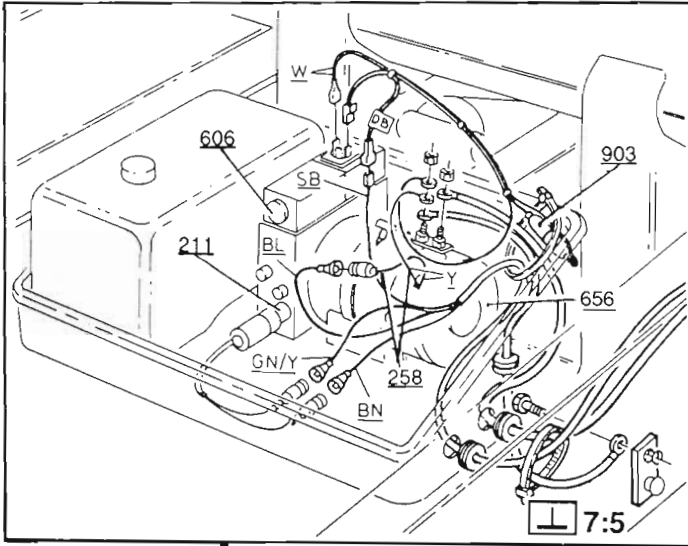
1035



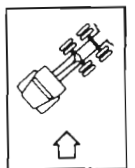
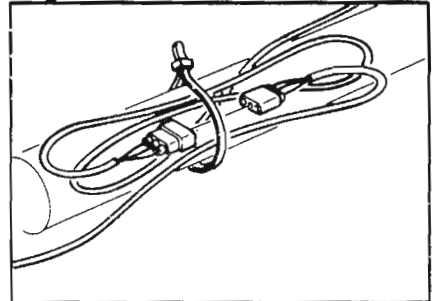
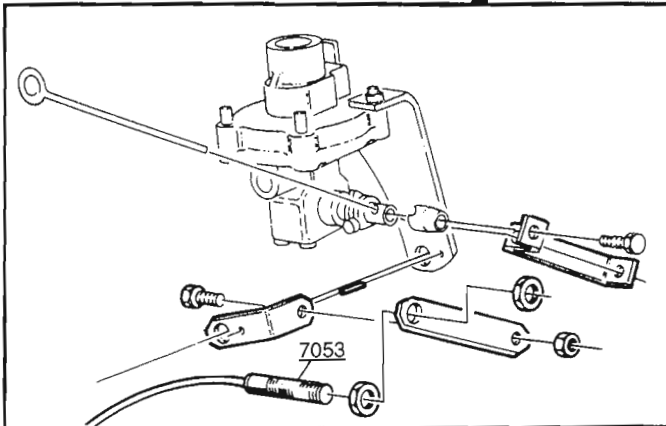
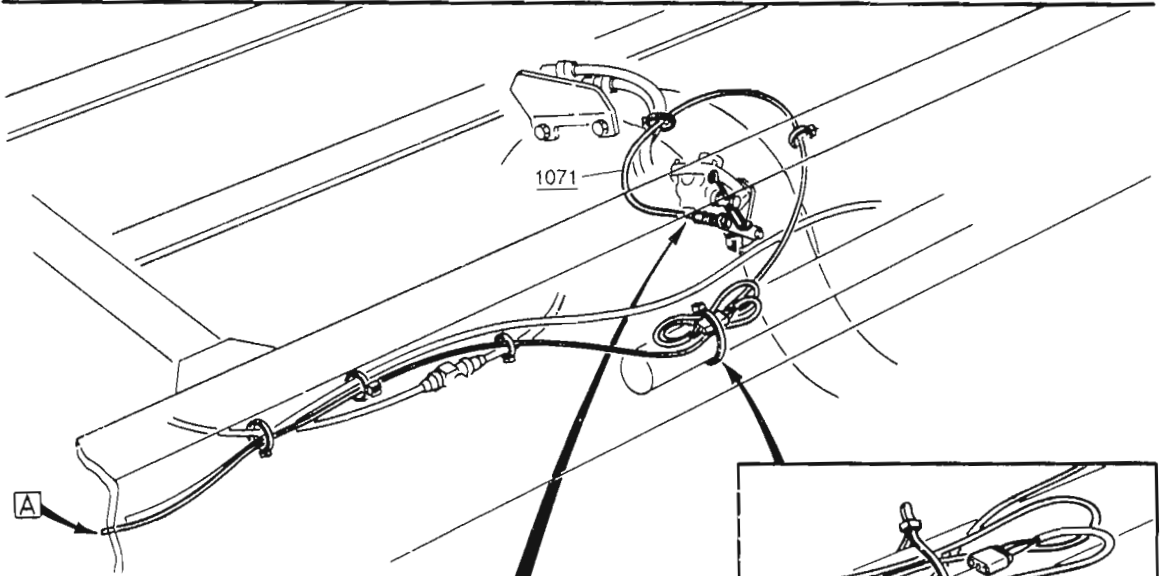
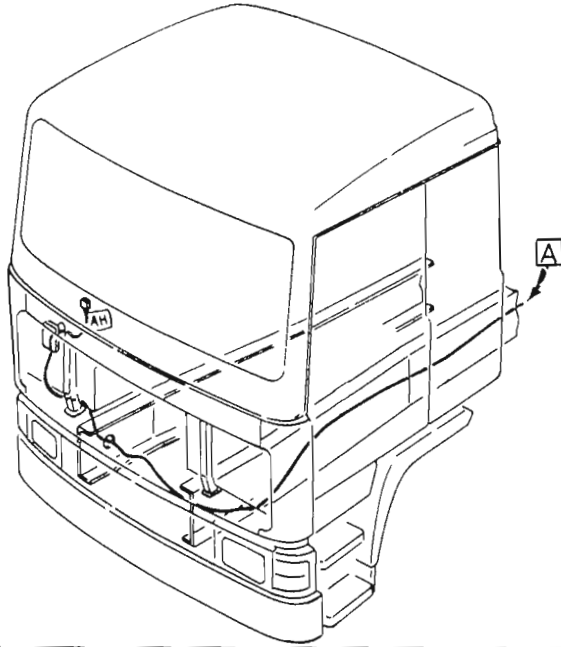
1037A MA MD, 1074 MD



1037B MA MD

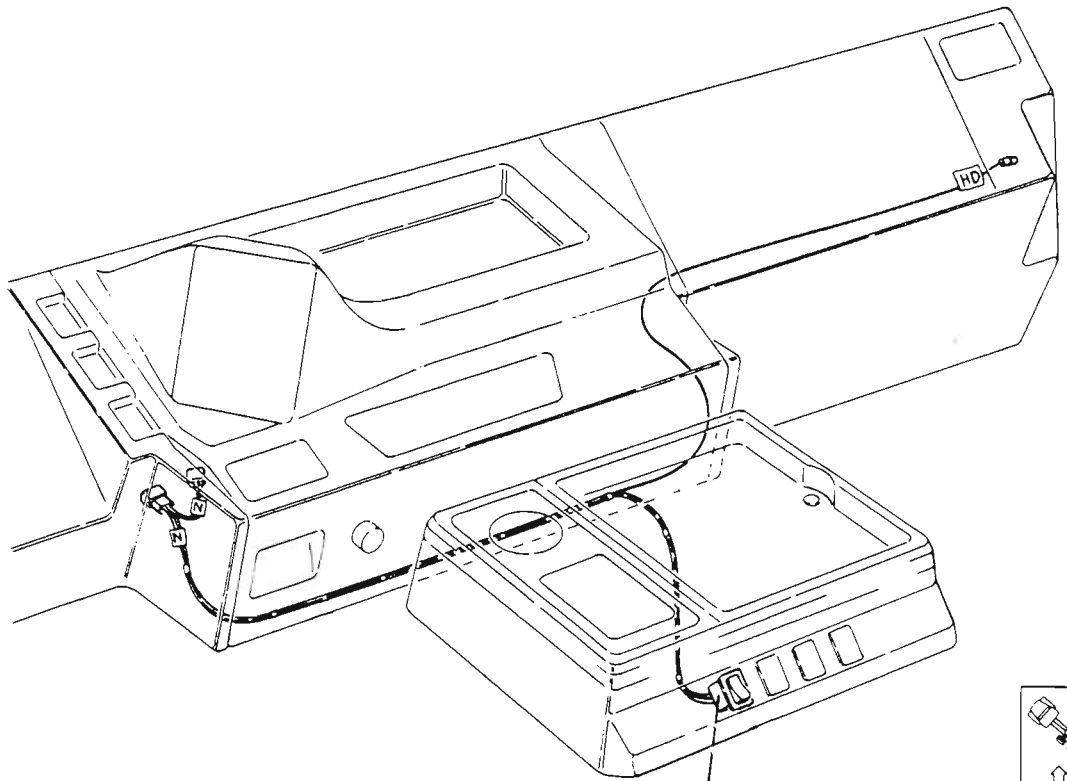


1071 MD



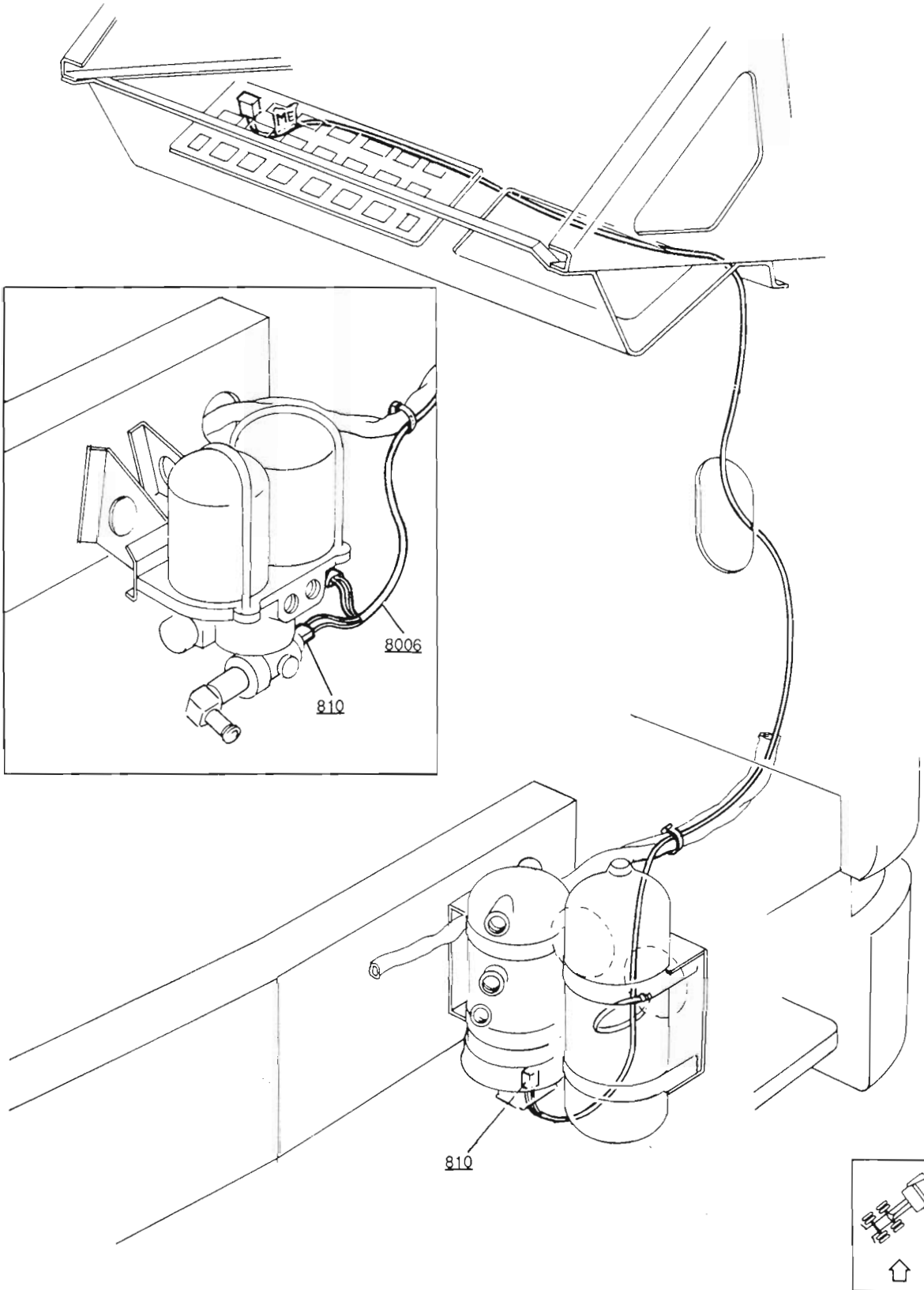
1051

KHH/LHH

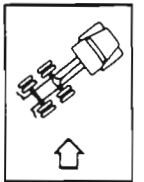
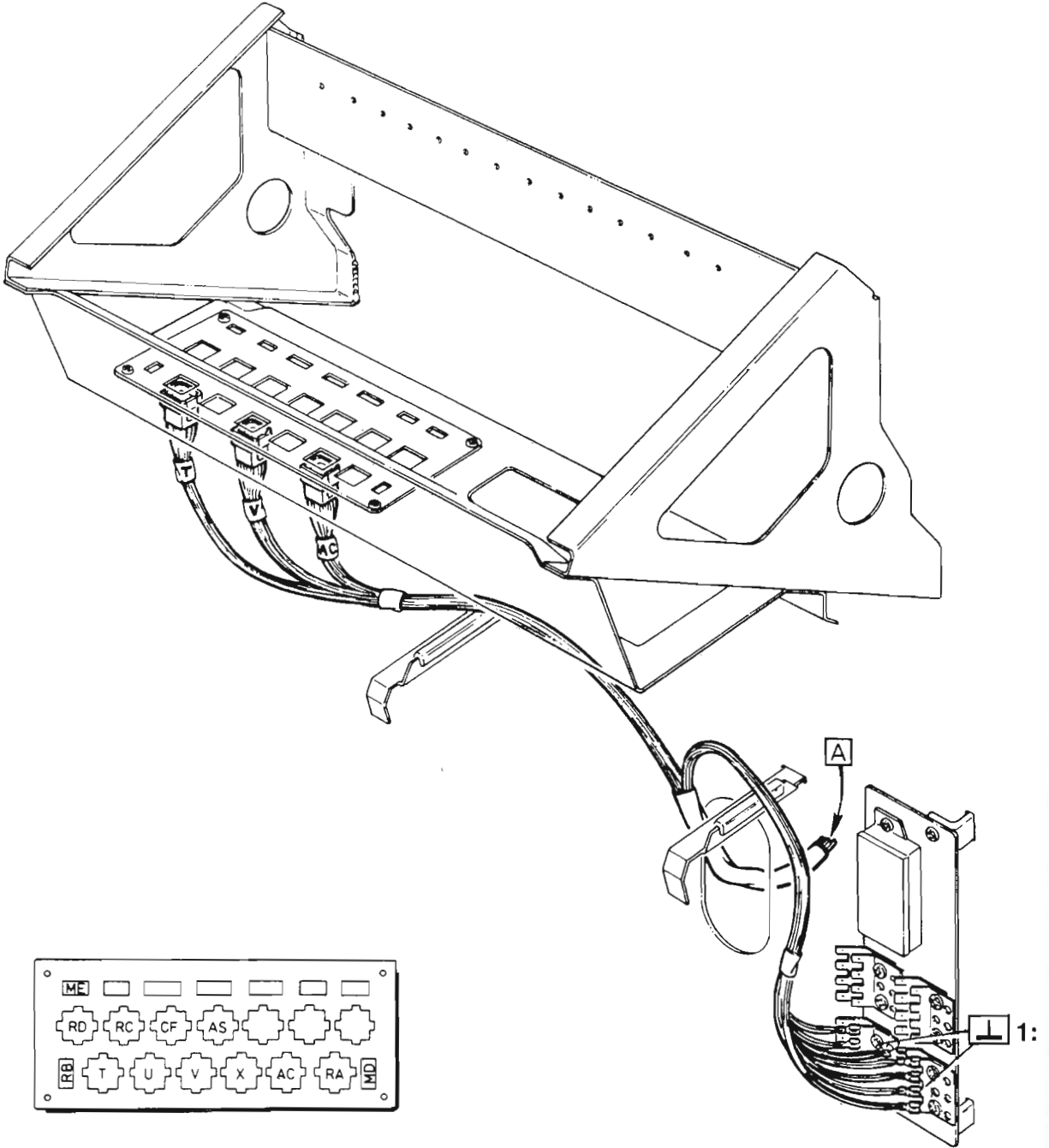


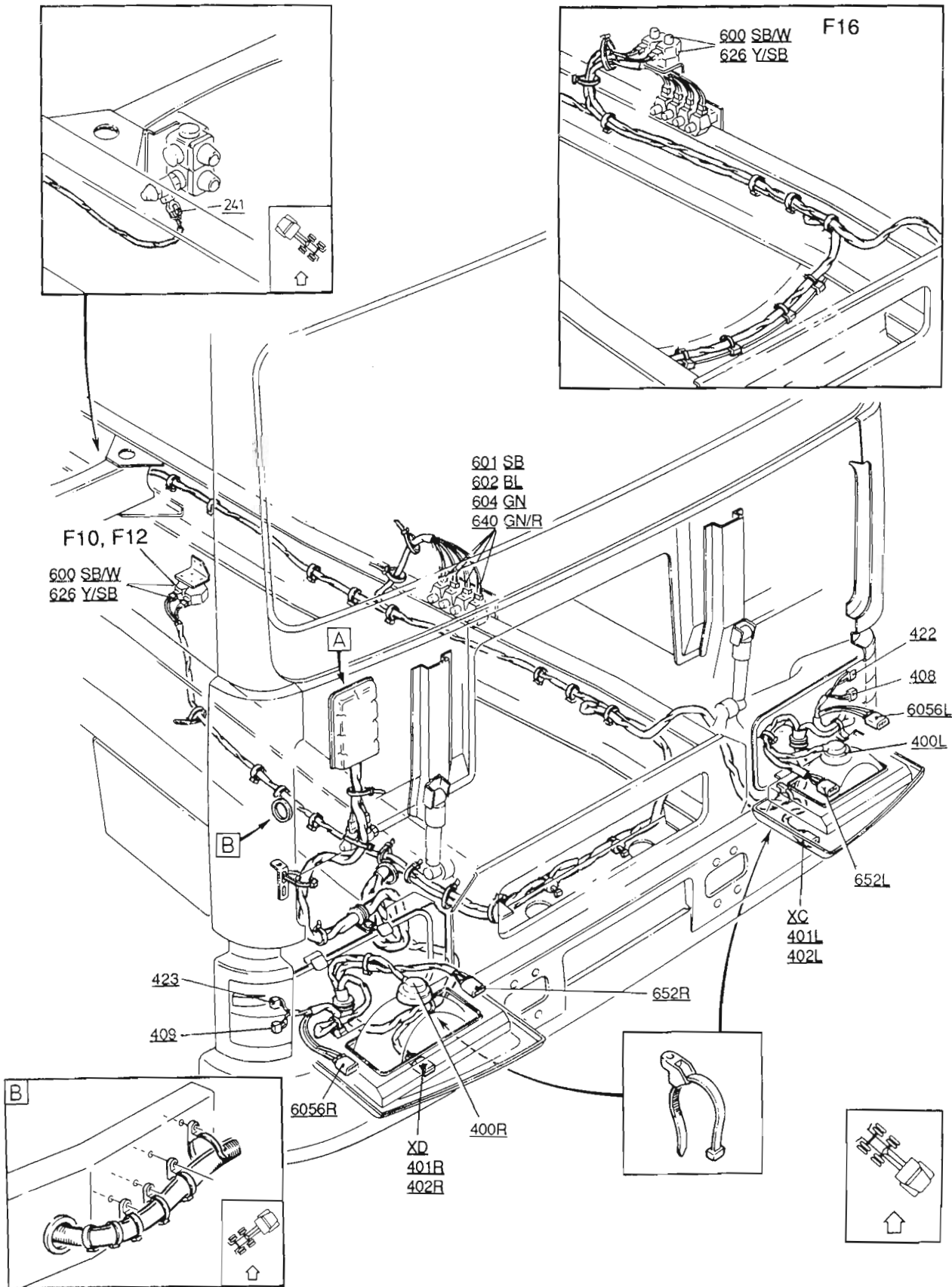
116

1056

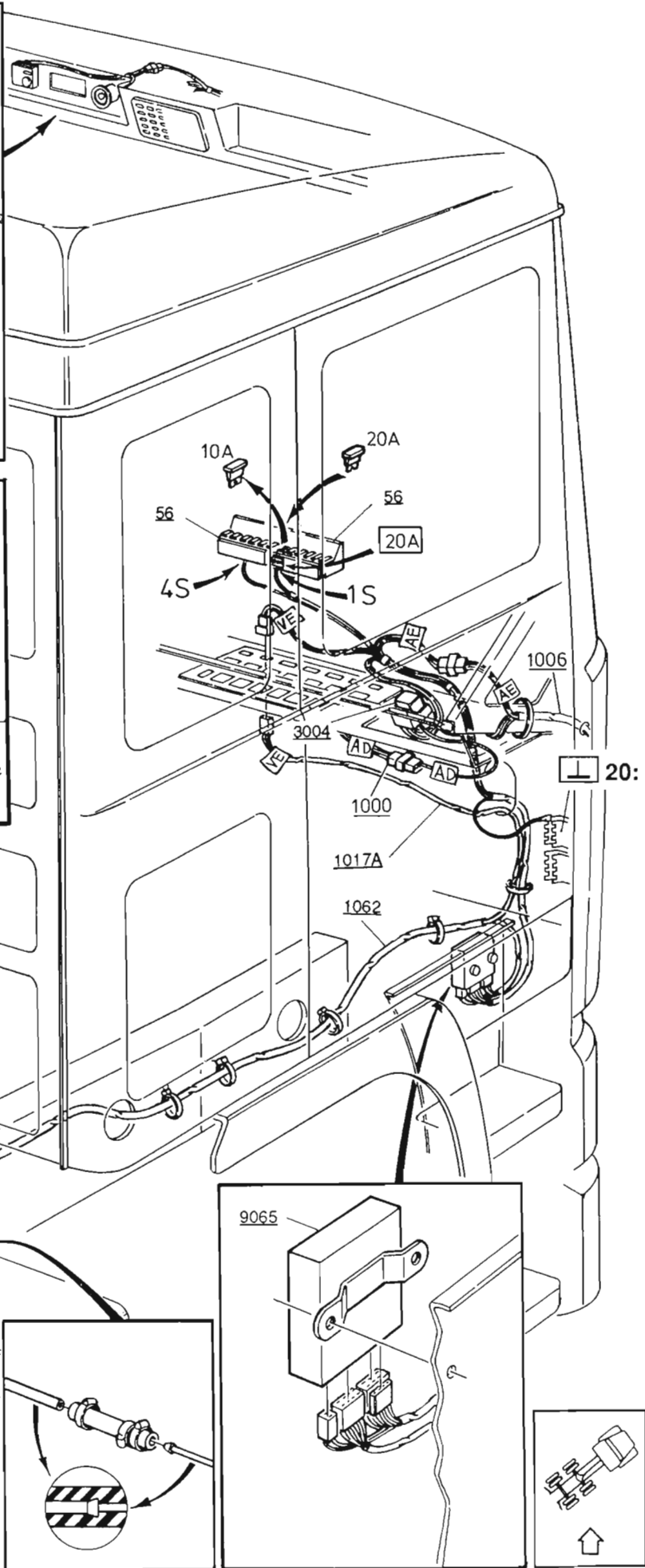
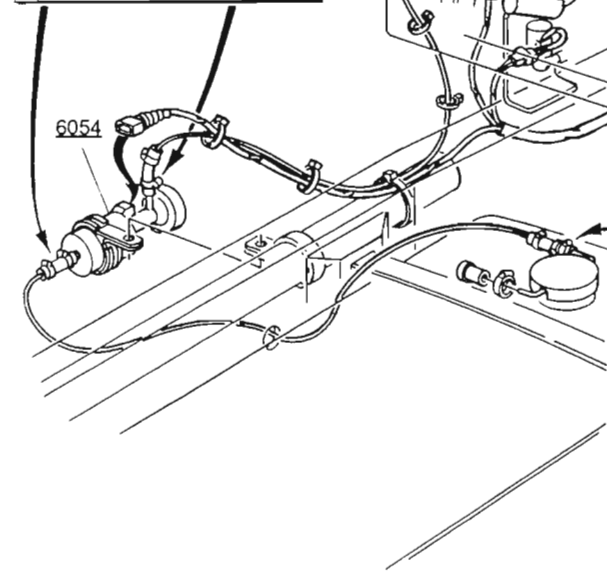
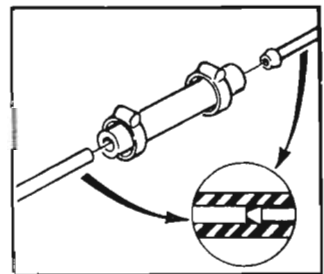
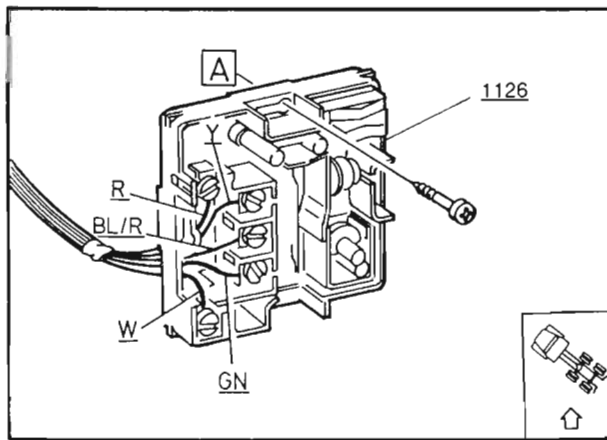
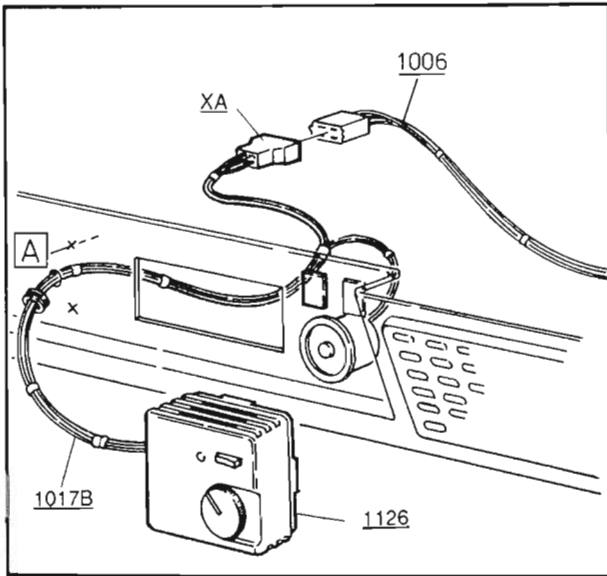


1057

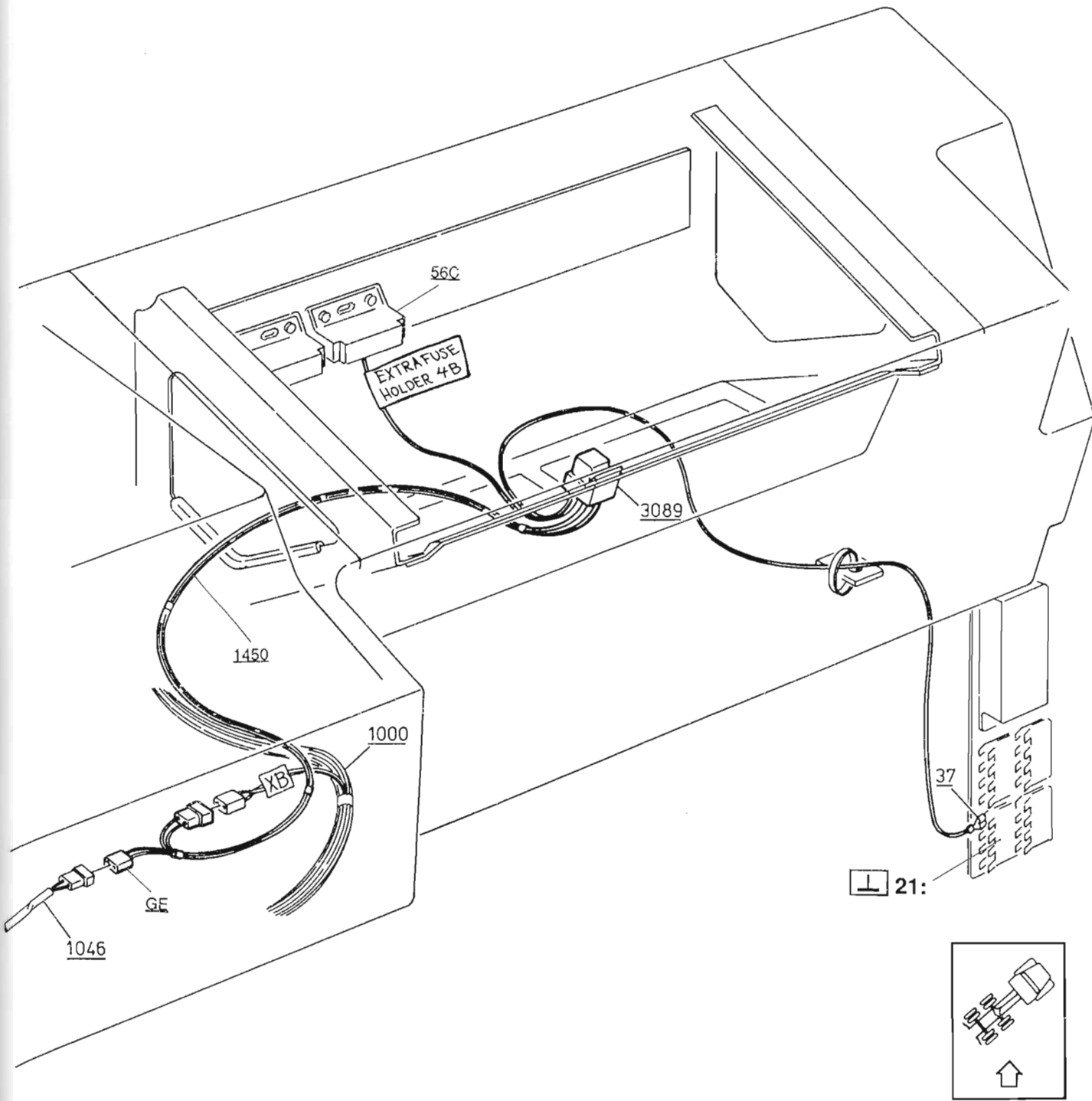




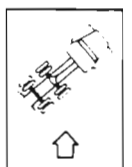
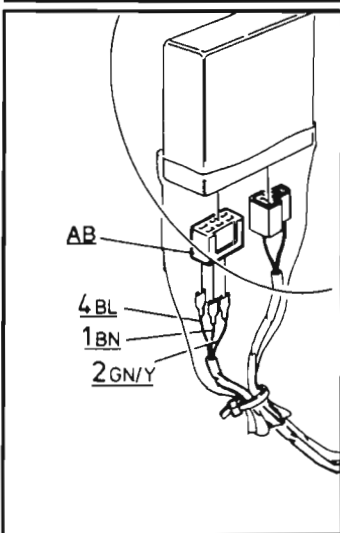
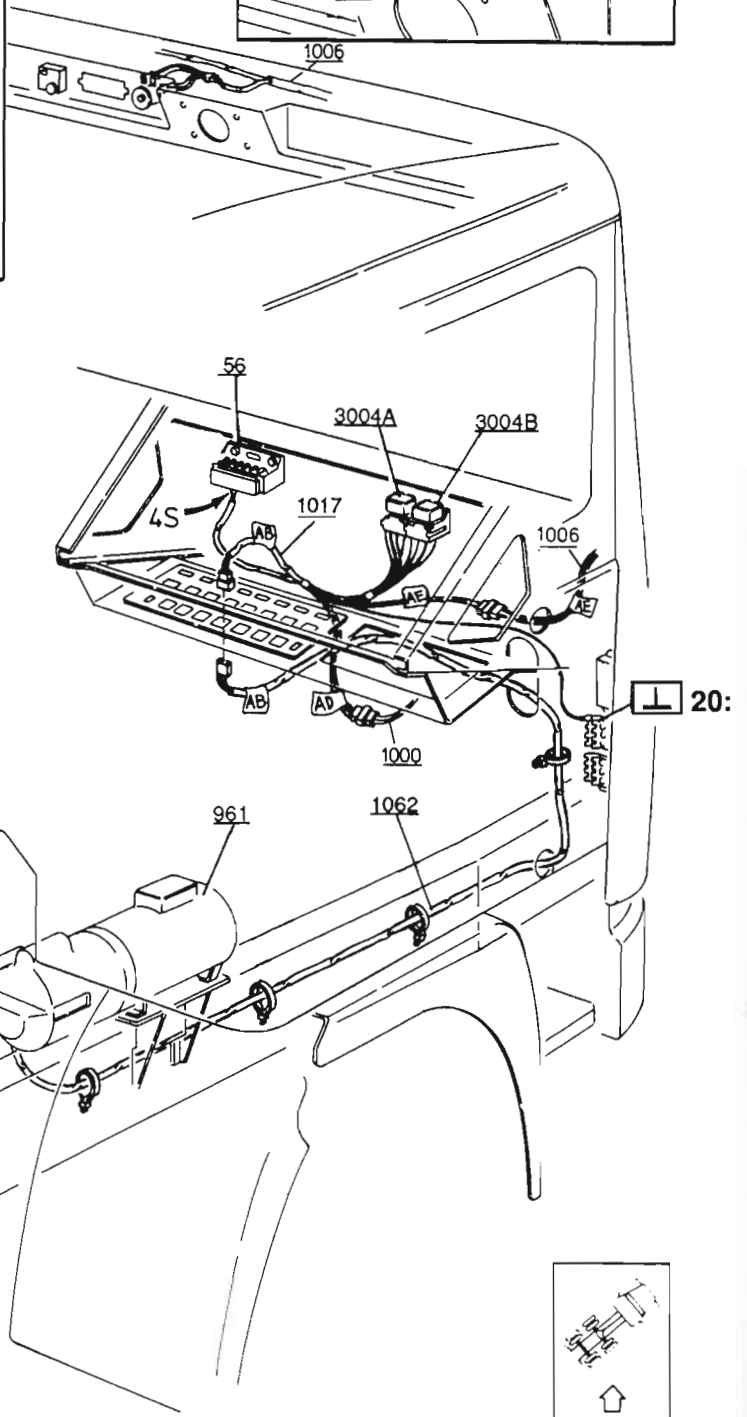
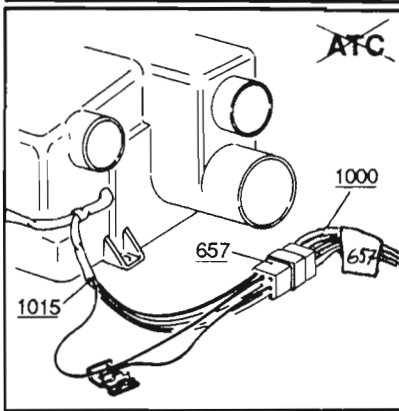
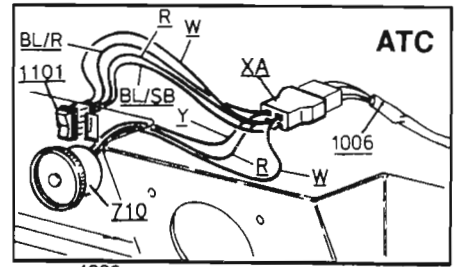
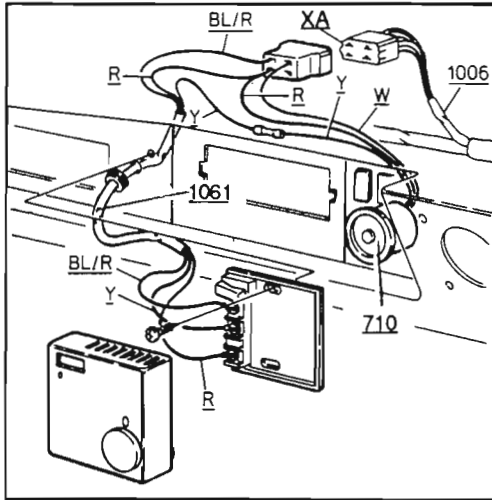
1000, 1006, 1017, 1062



1450

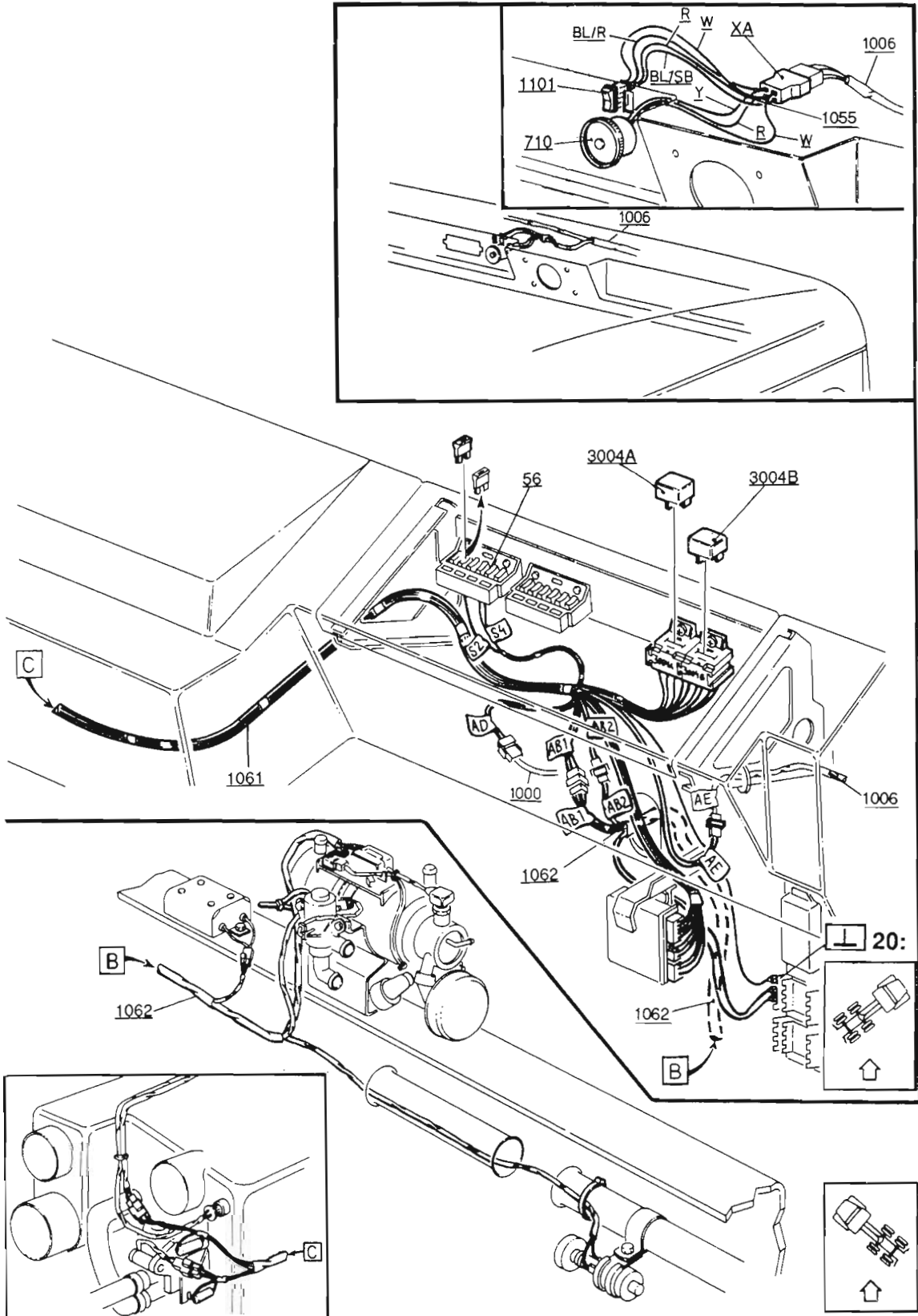


1015, 1017, 1061, 1062



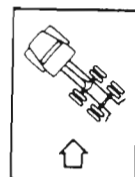
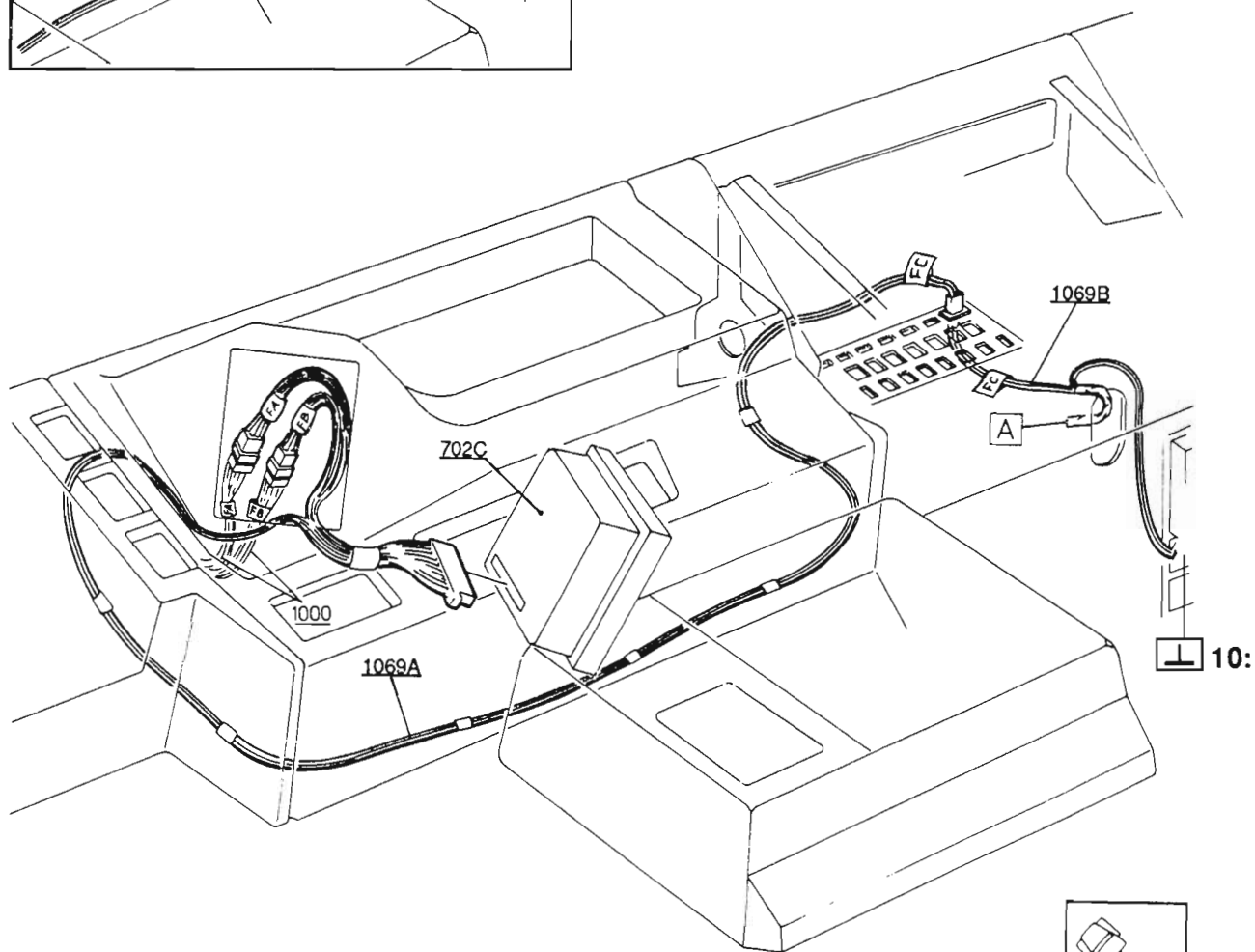
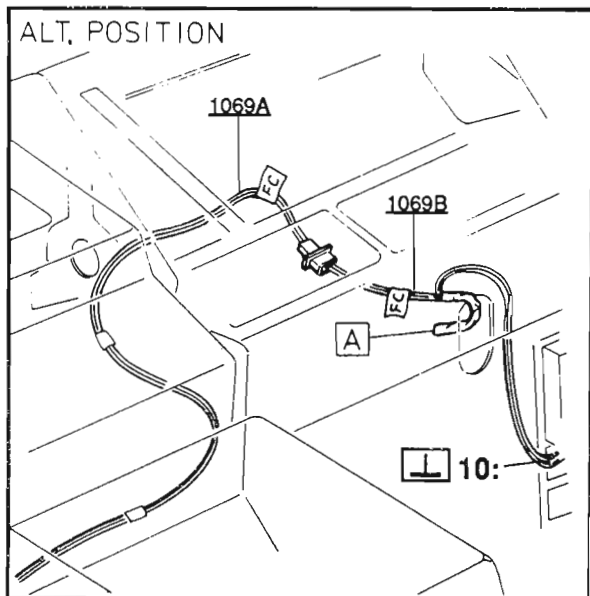
1055, 1061, 1062

LVA



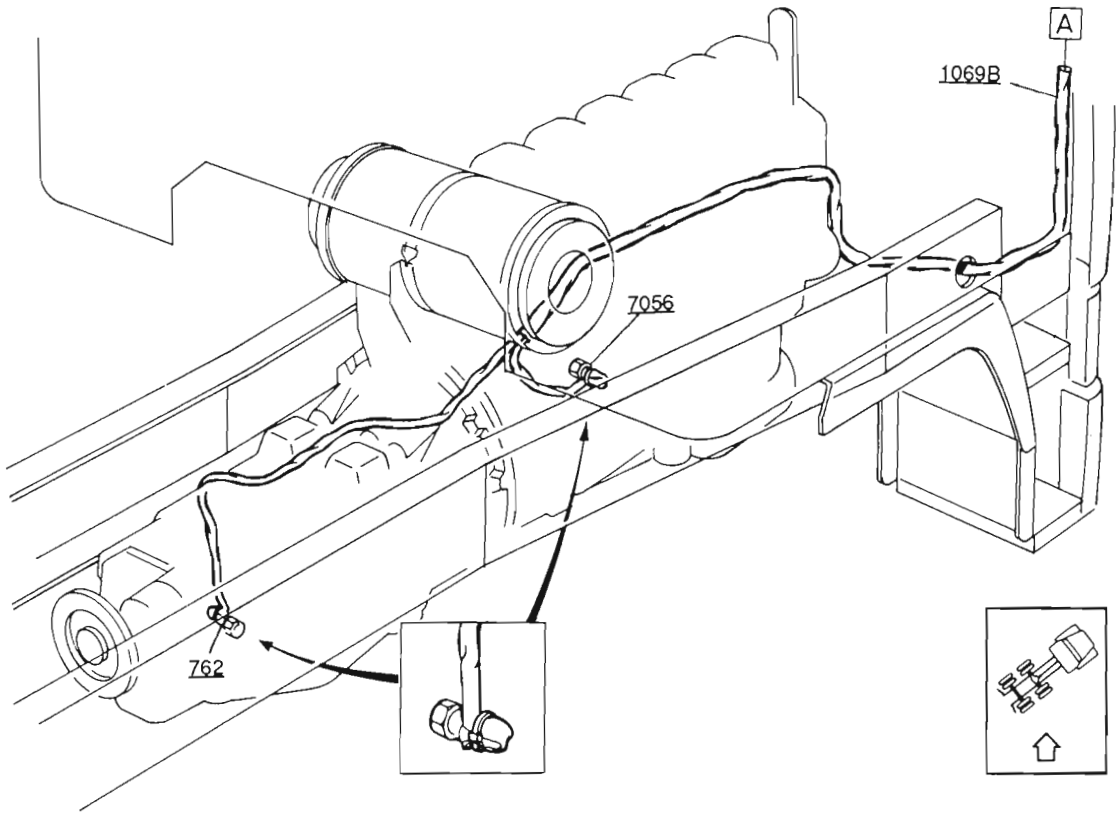
1069

F10, F12, F16



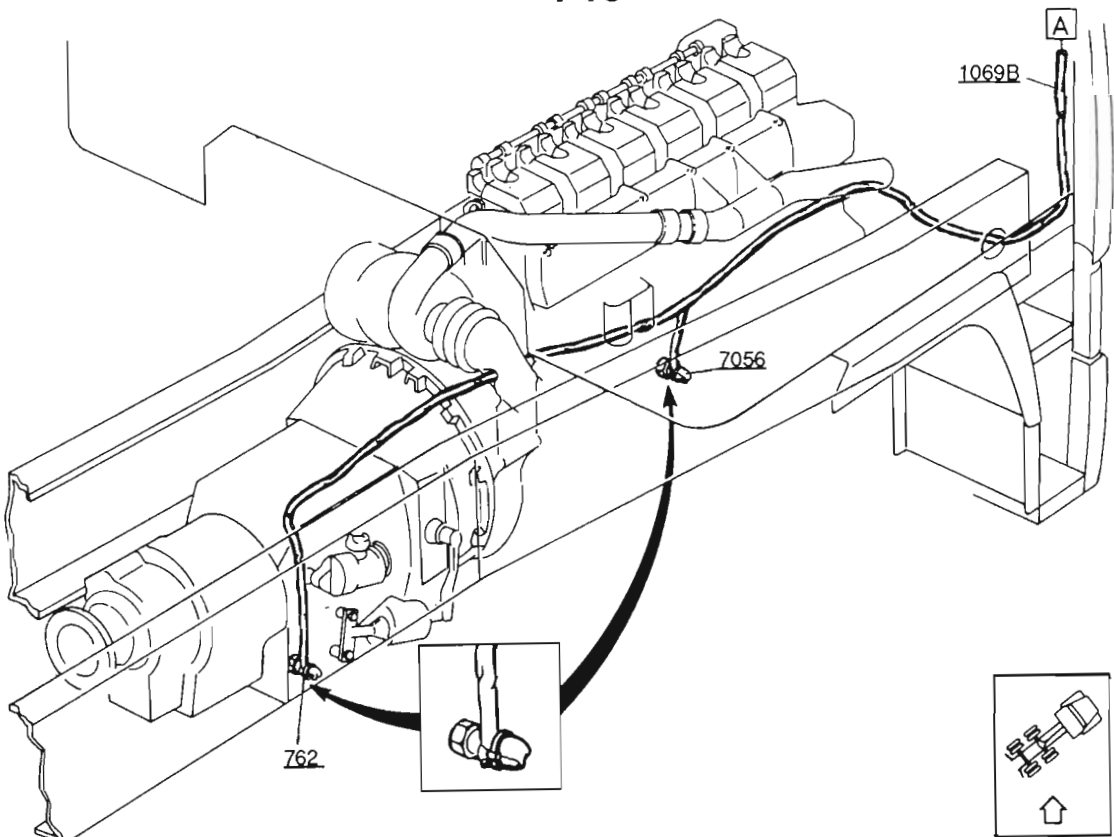
1069B

F10, F12

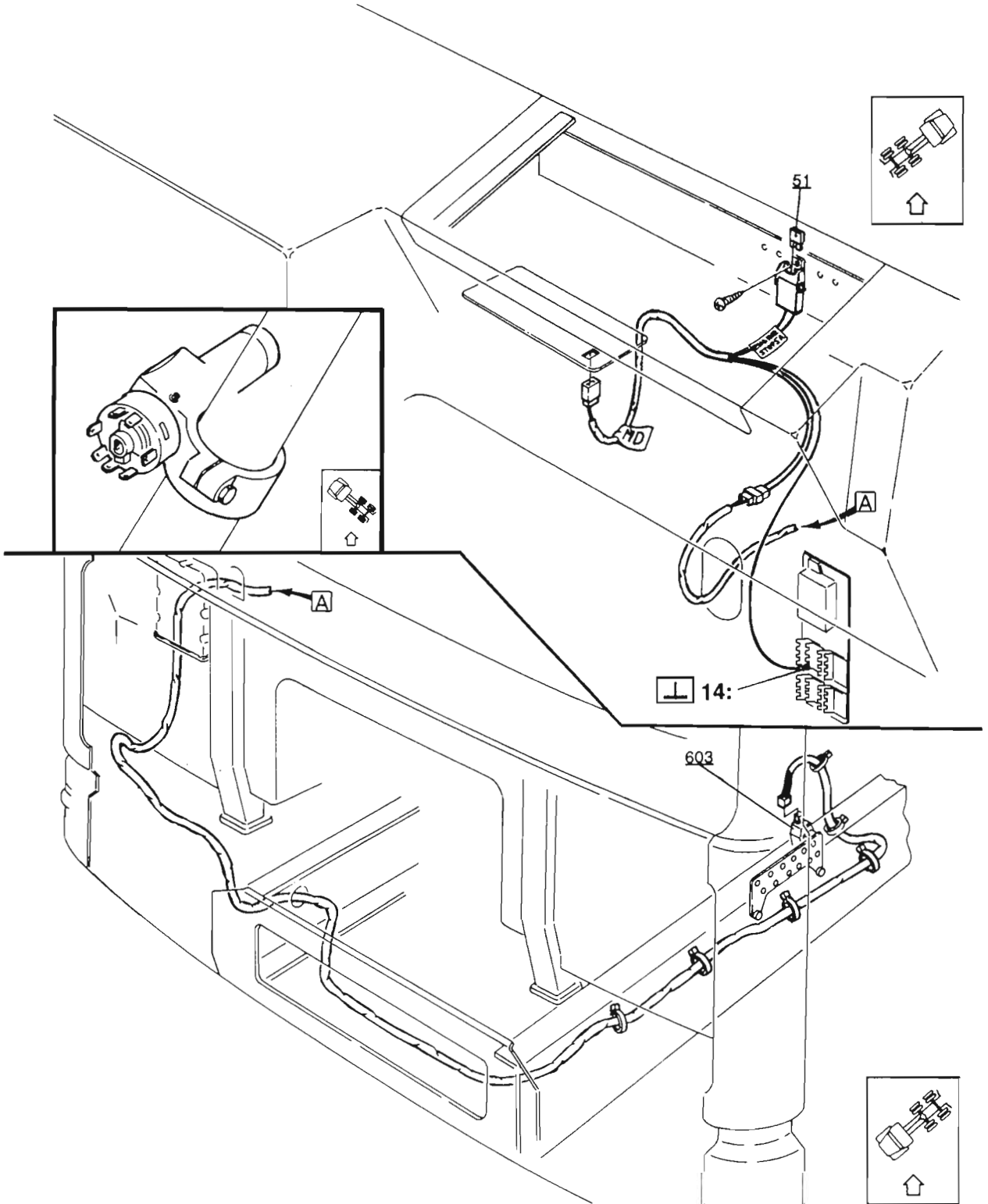


1069B

F16

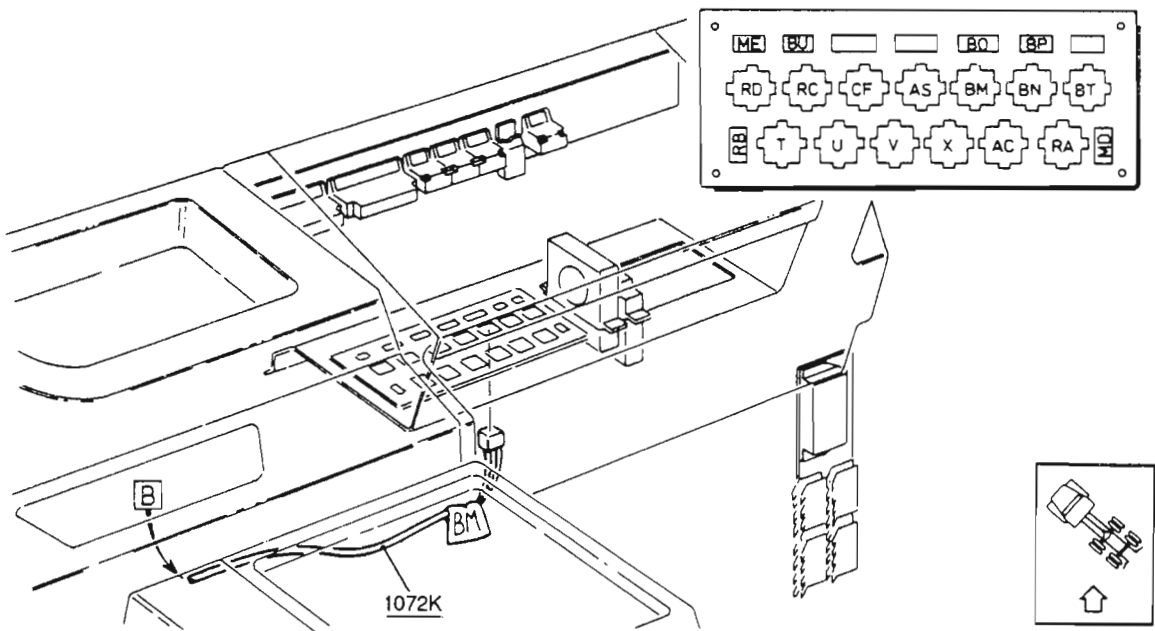
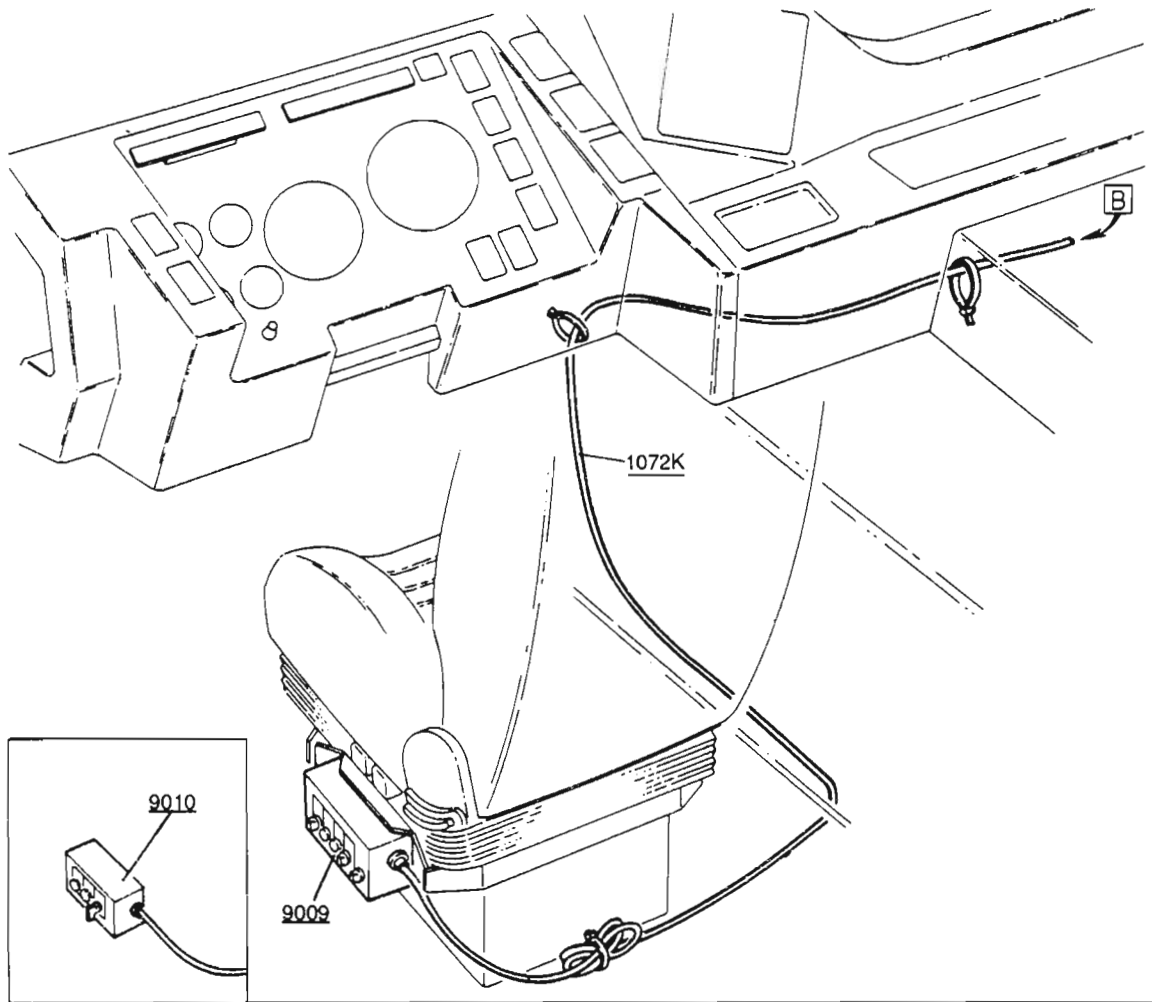


1070



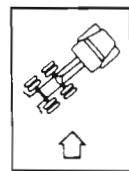
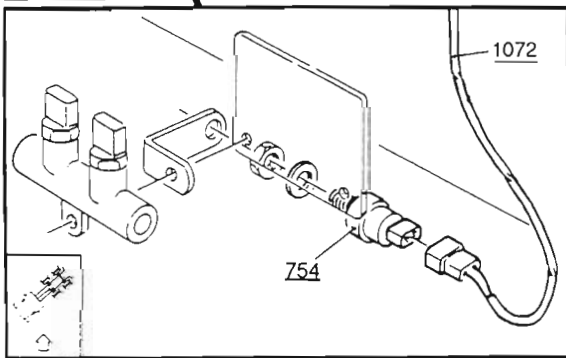
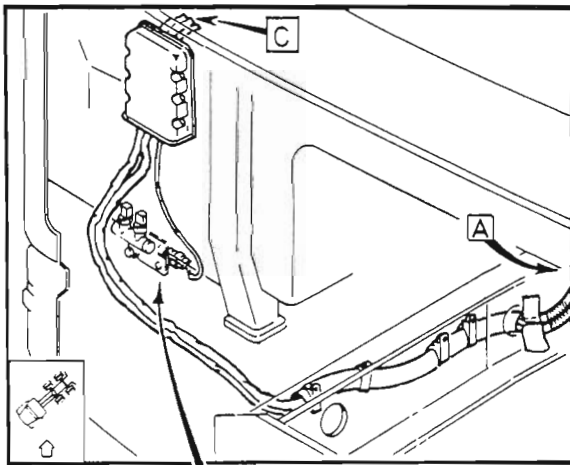
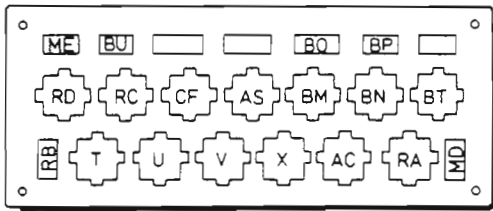
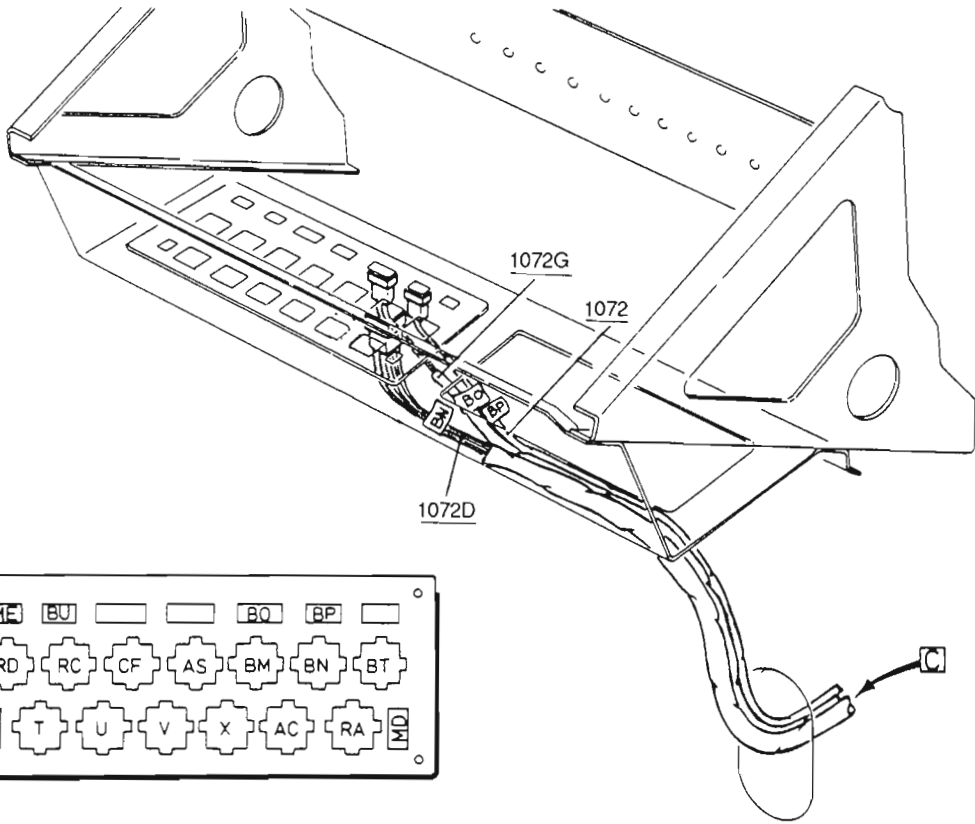
1072 4x2

MN



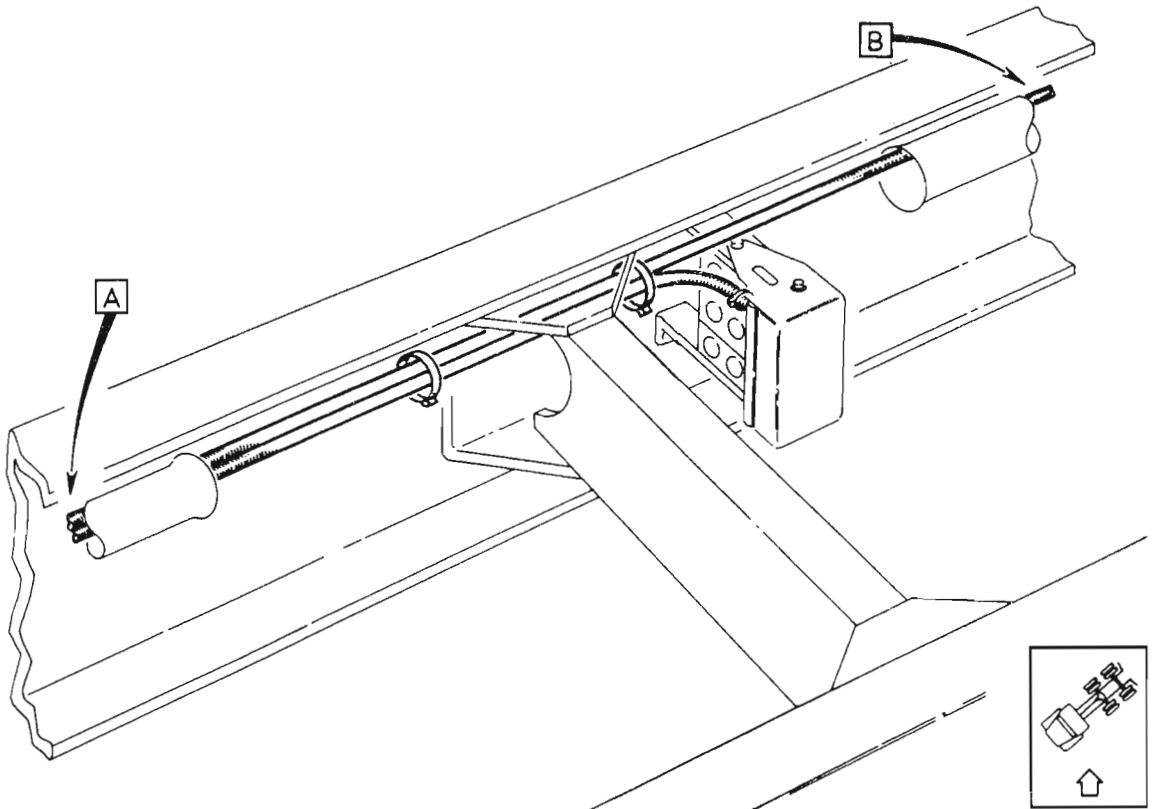
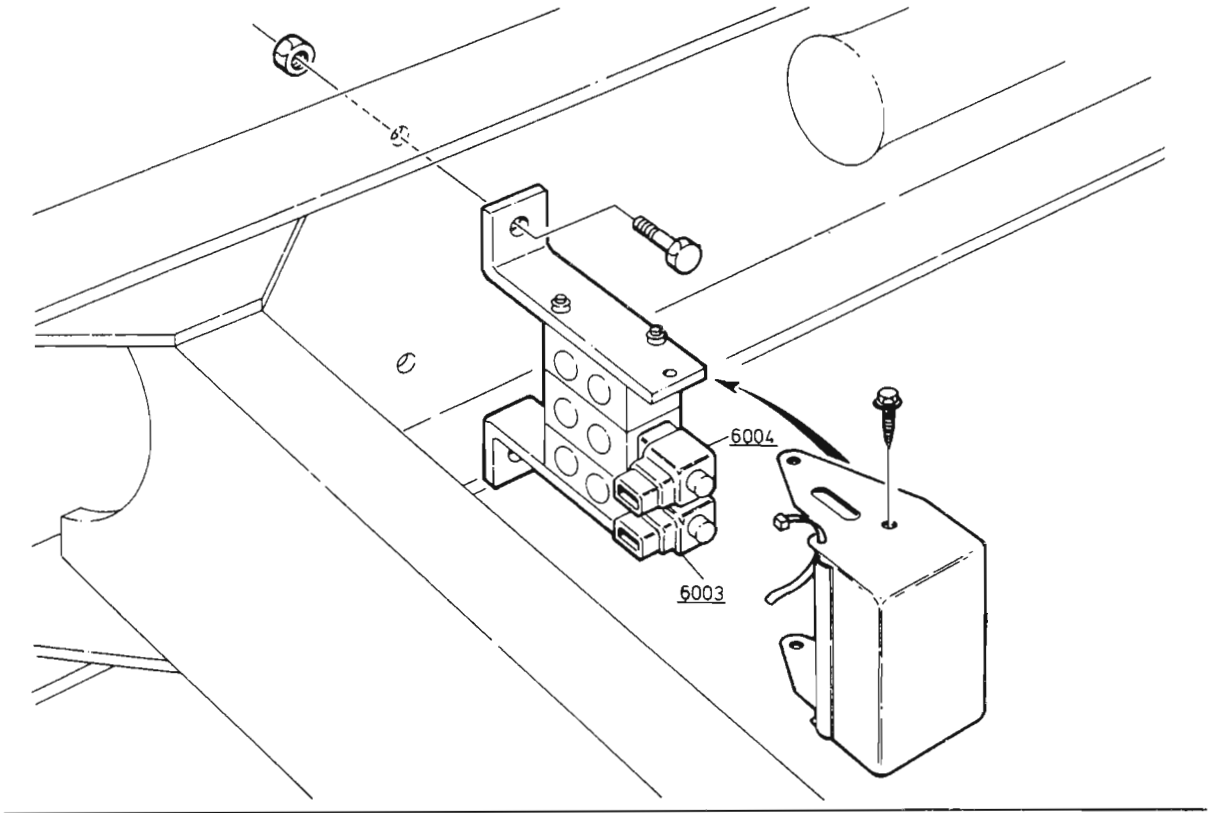
1072 4x2

MN



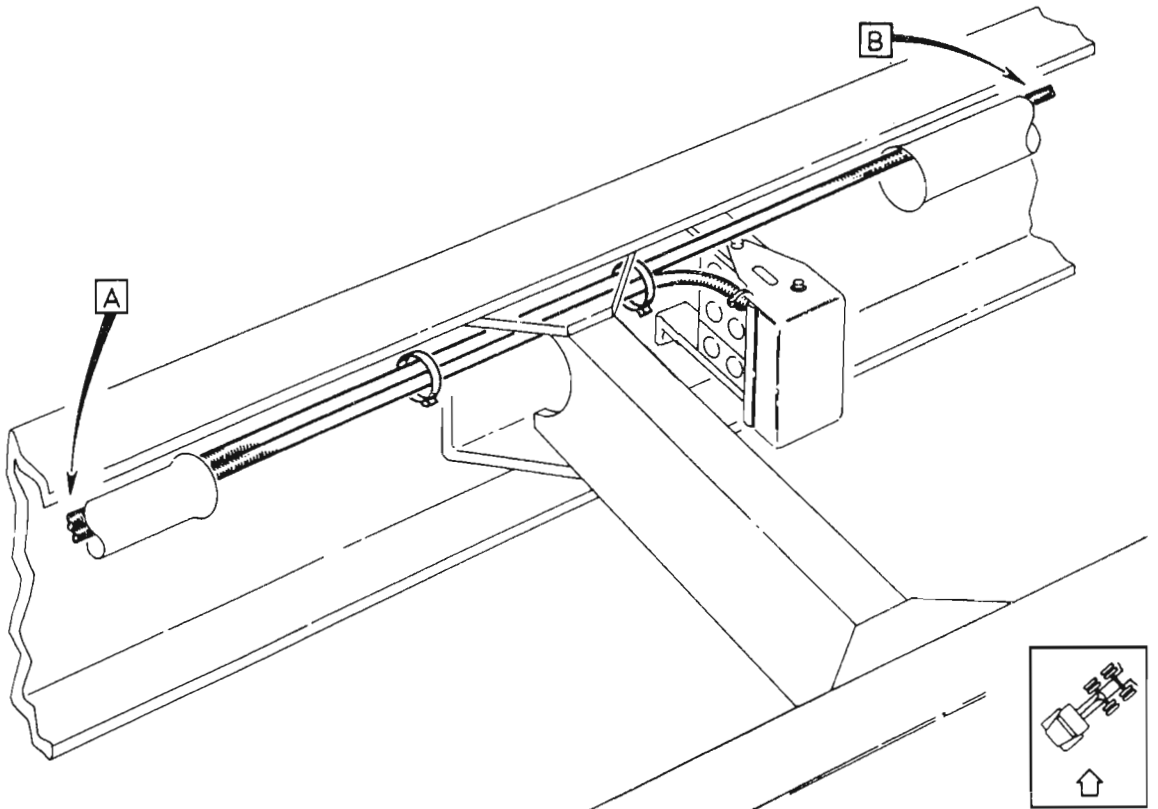
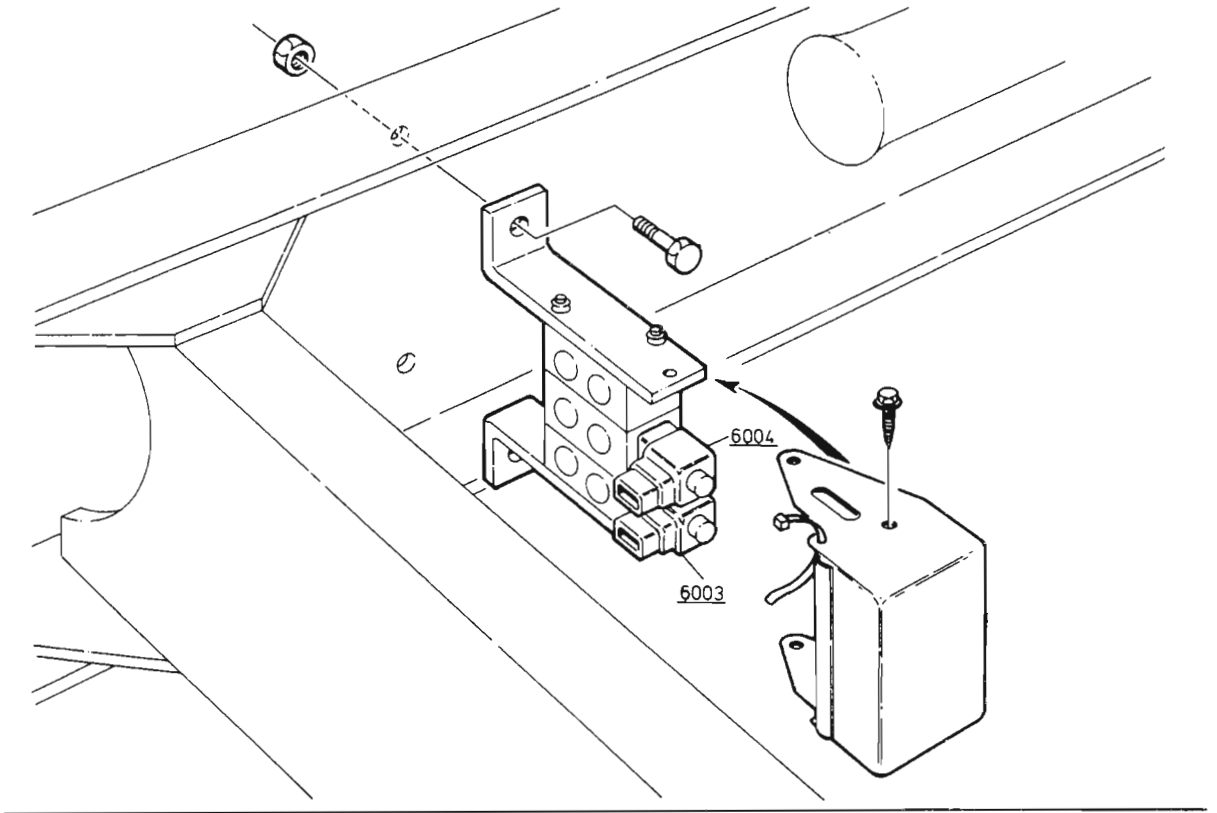
1072 4x2

MN



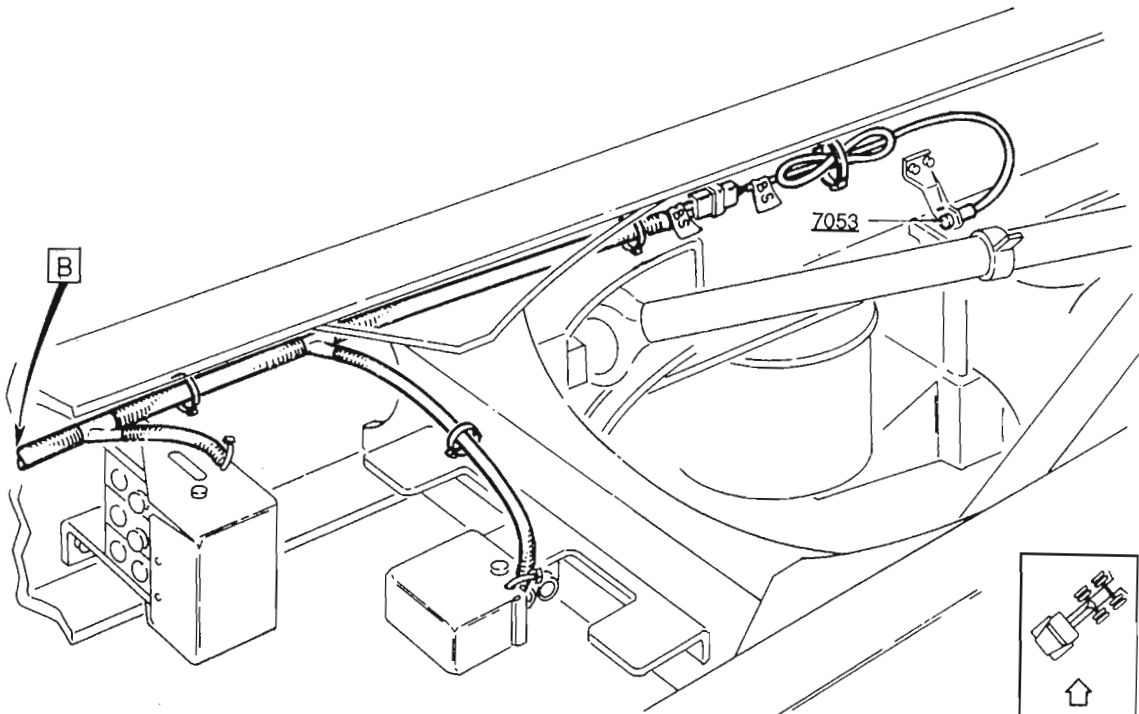
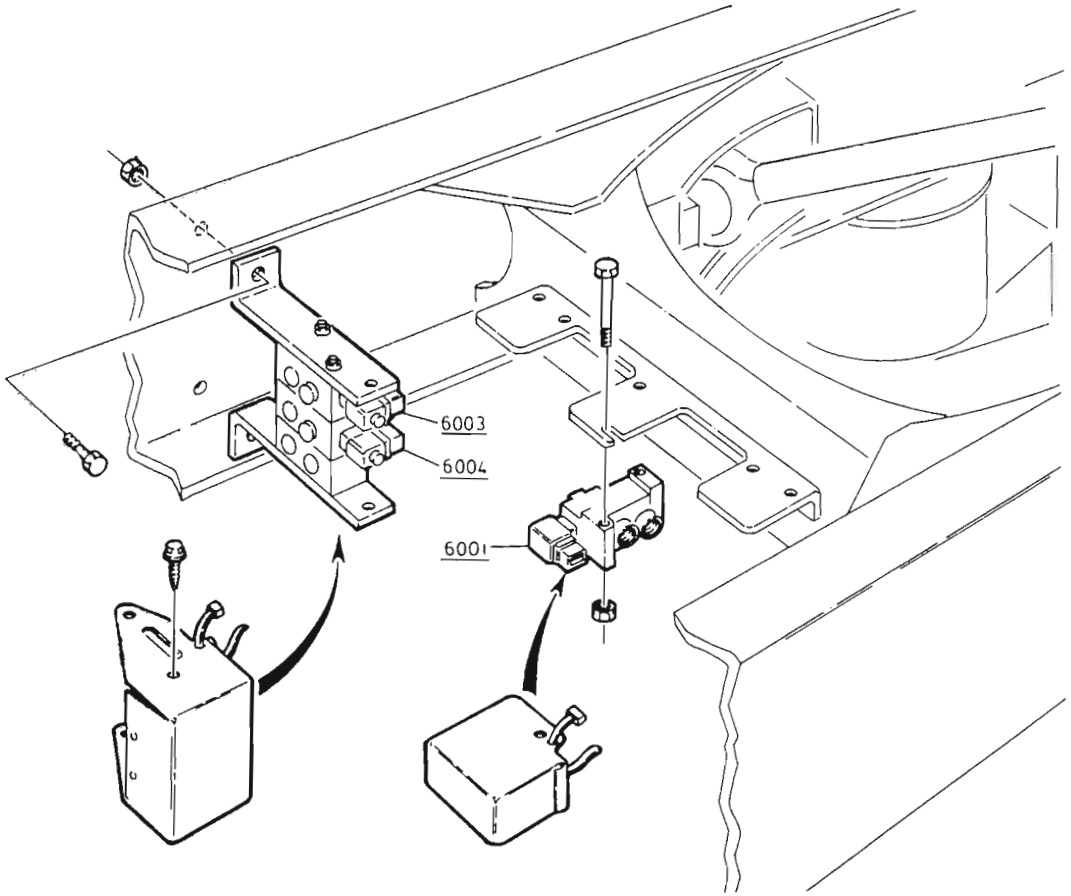
1072 4x2

MN



1072 4x2

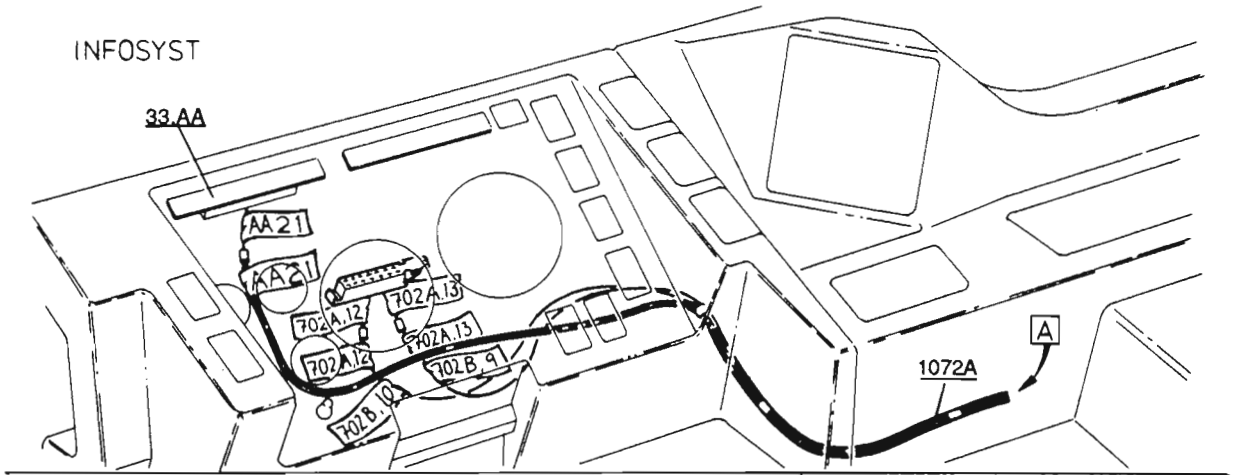
MN



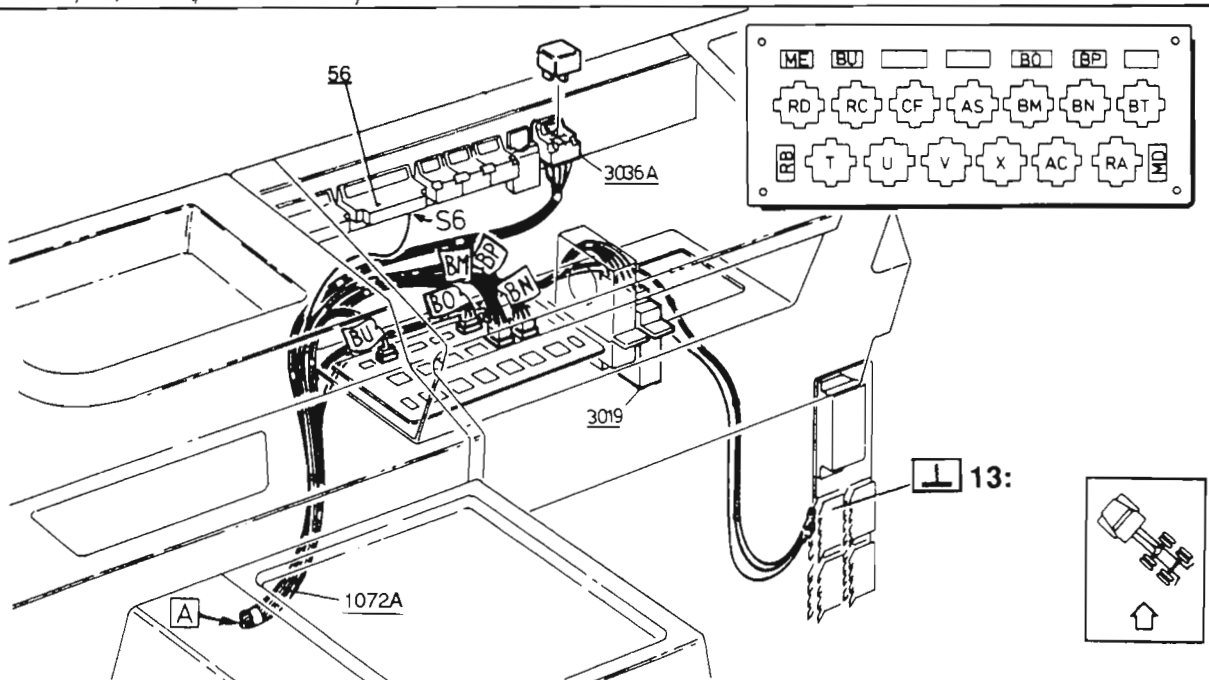
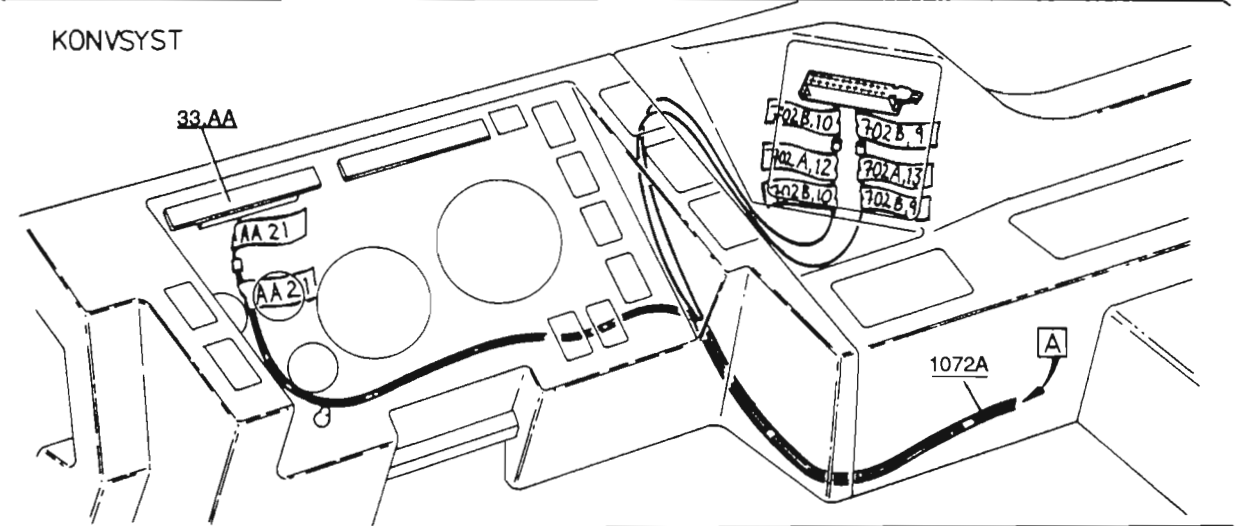
1072 6x2

MP

INFOSYST

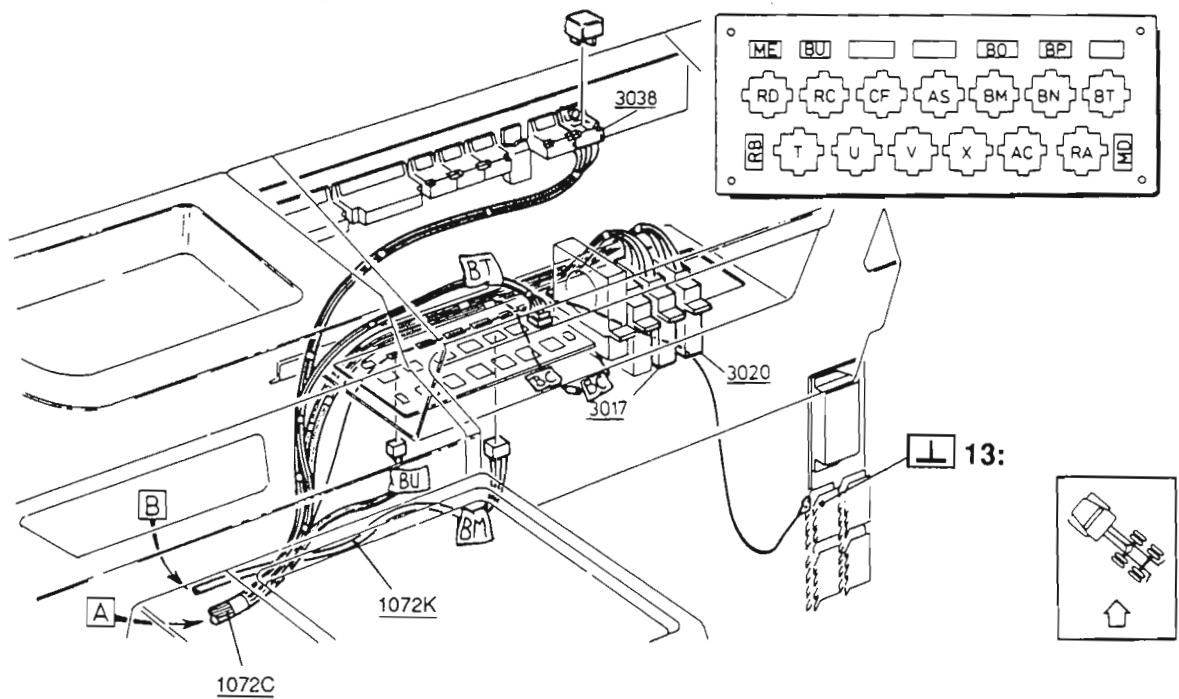
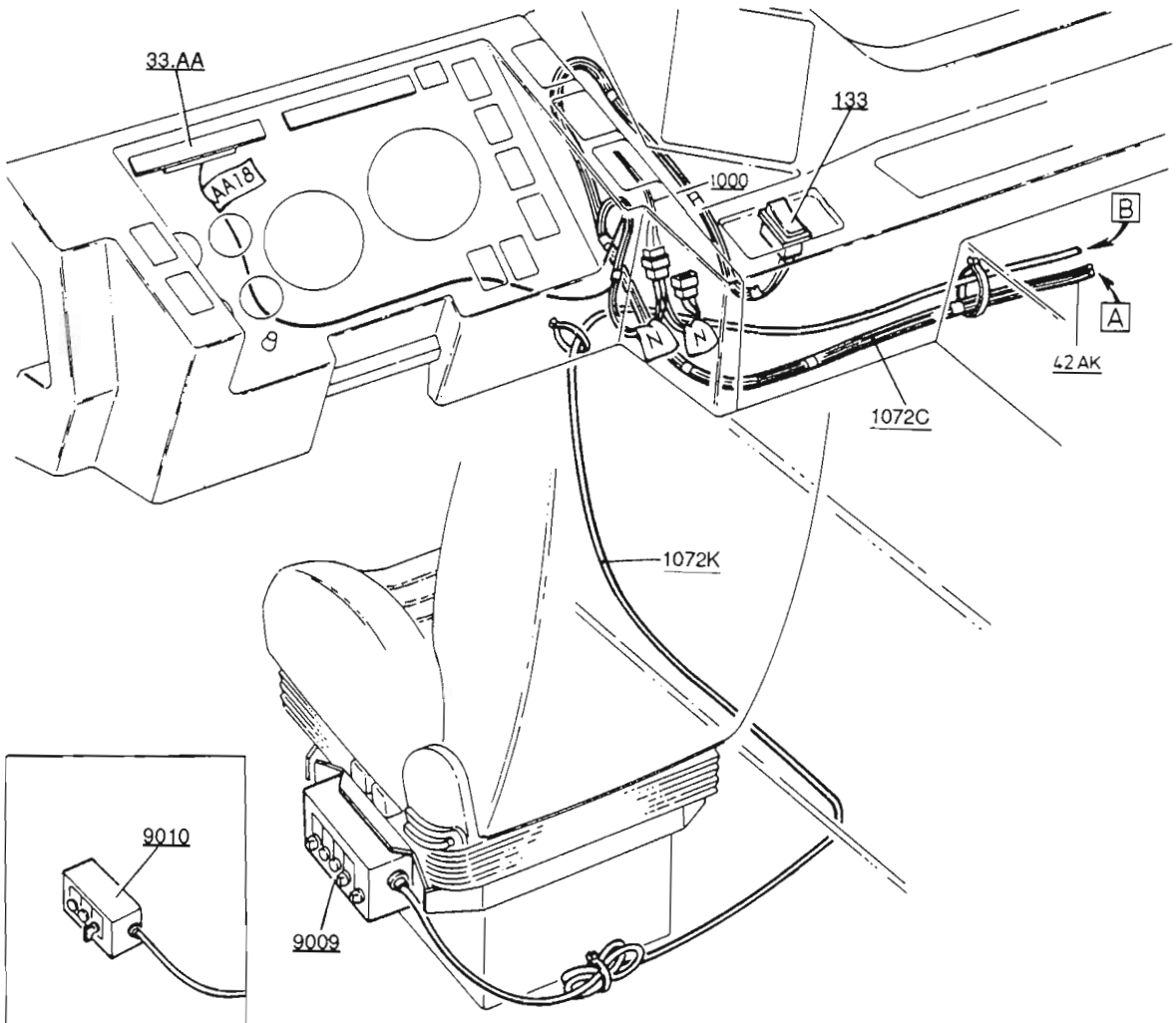


KONVSYST



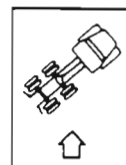
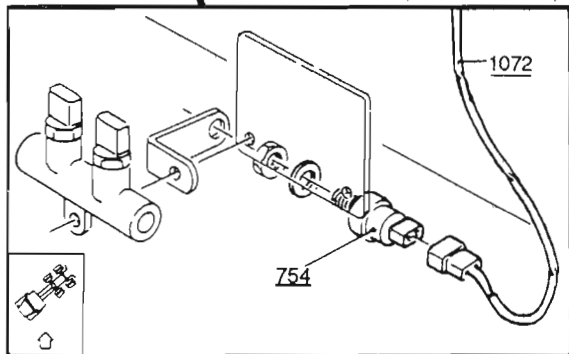
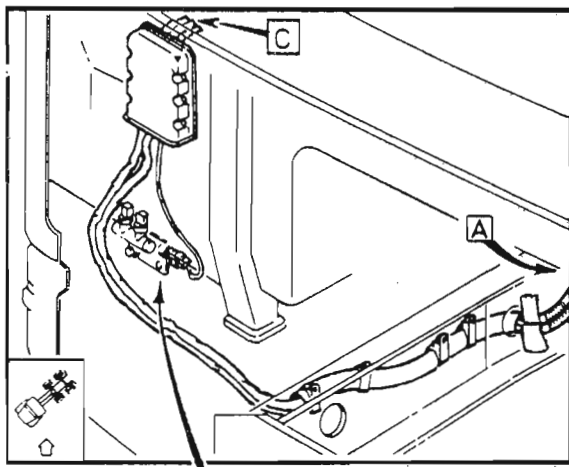
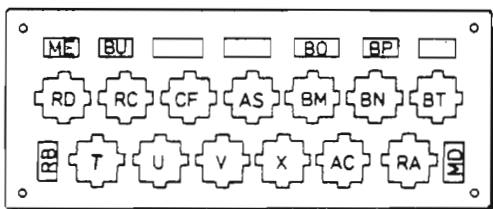
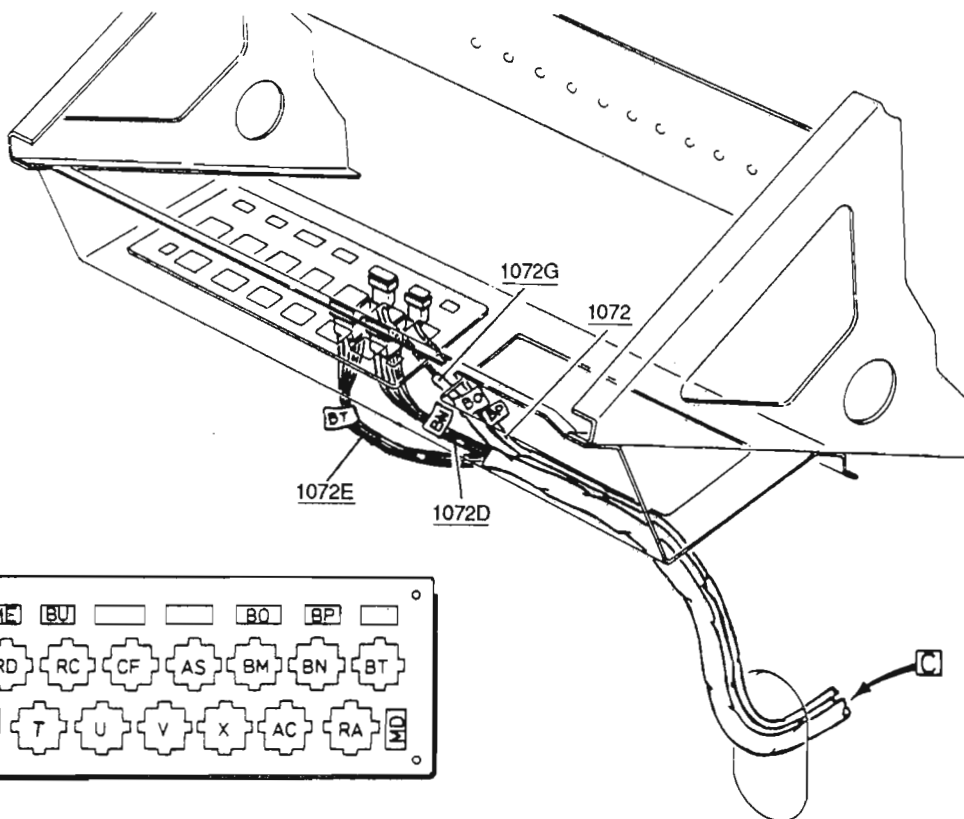
1072 6x2

MP



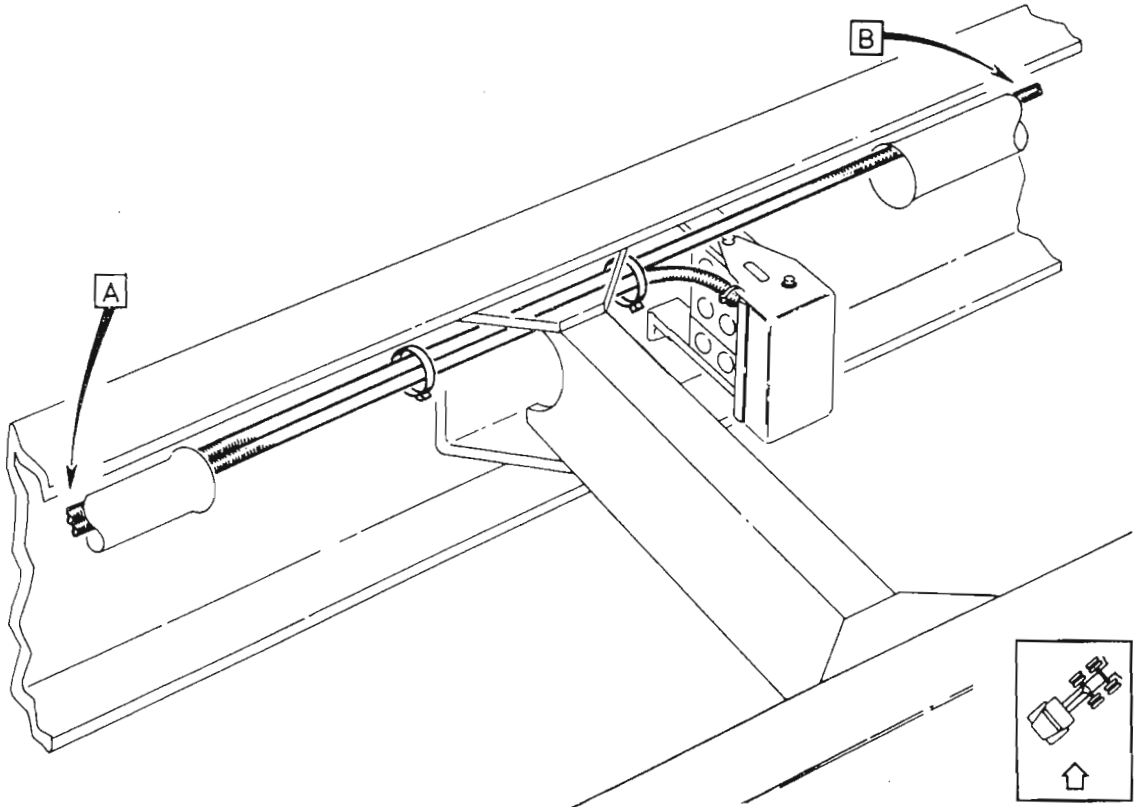
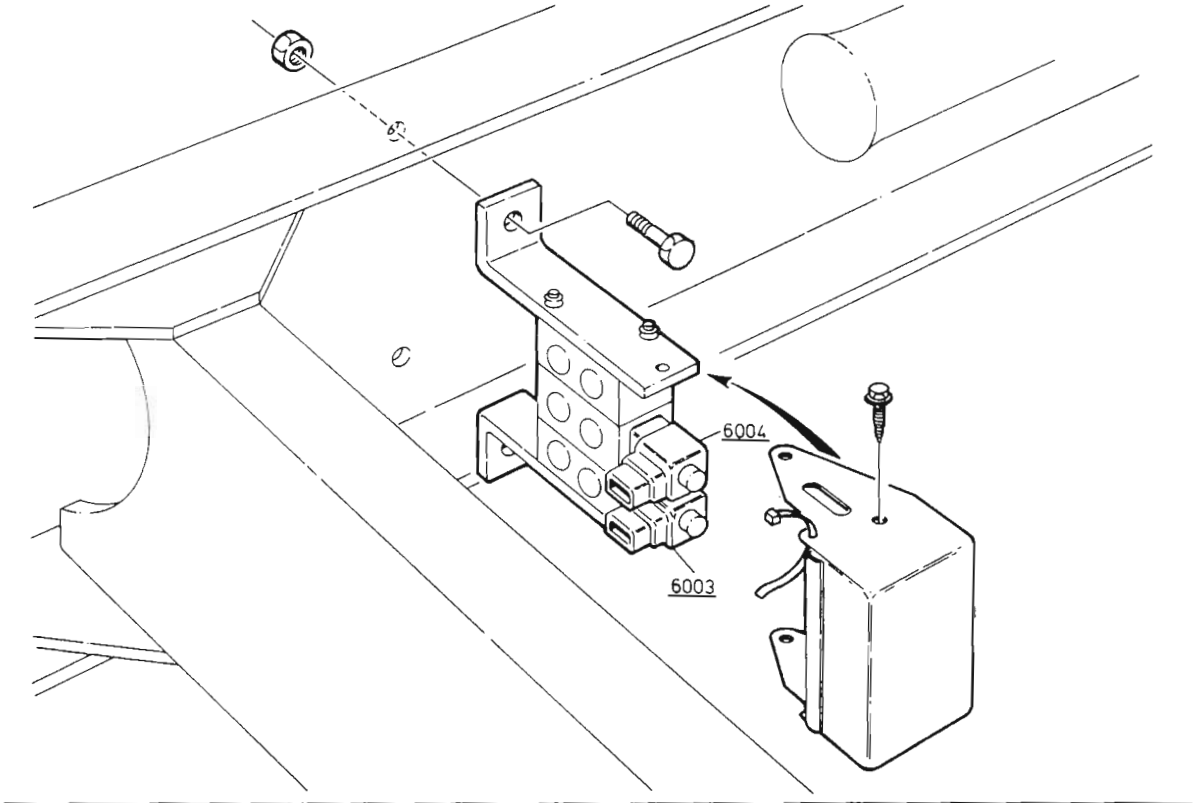
1072 6x2

MP



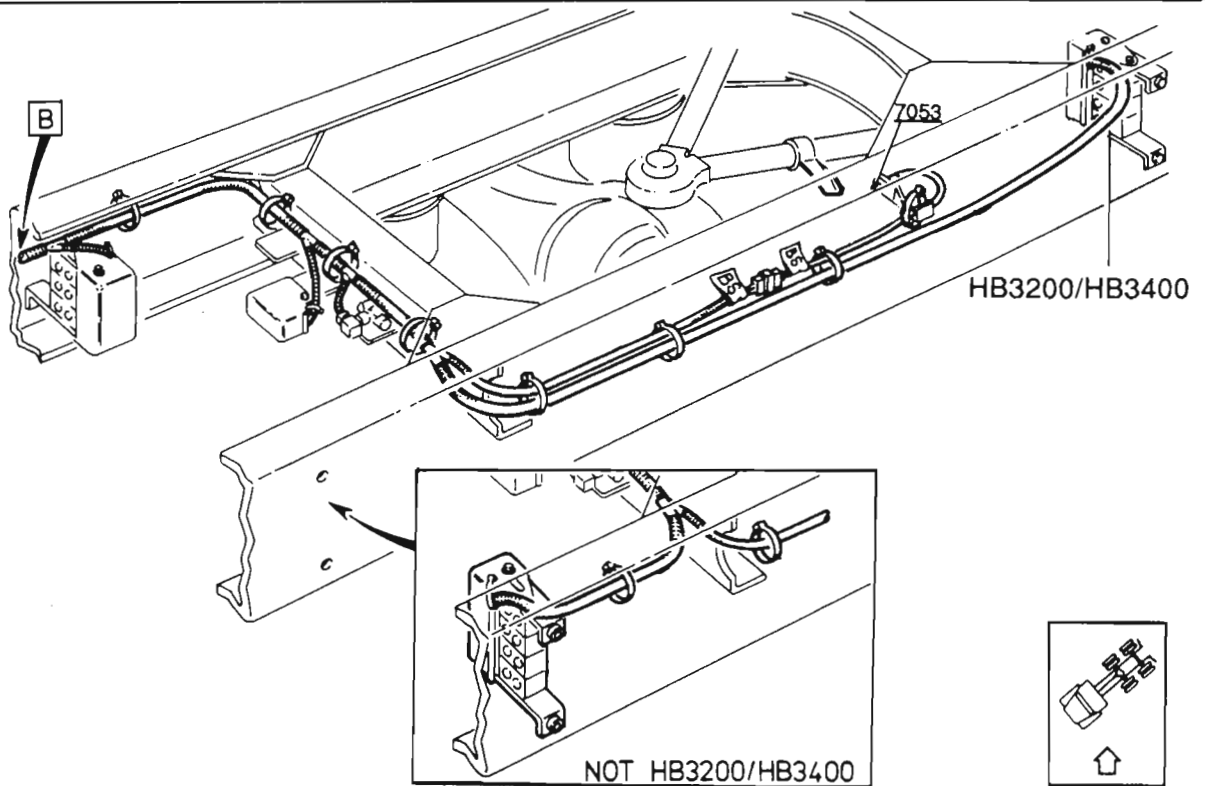
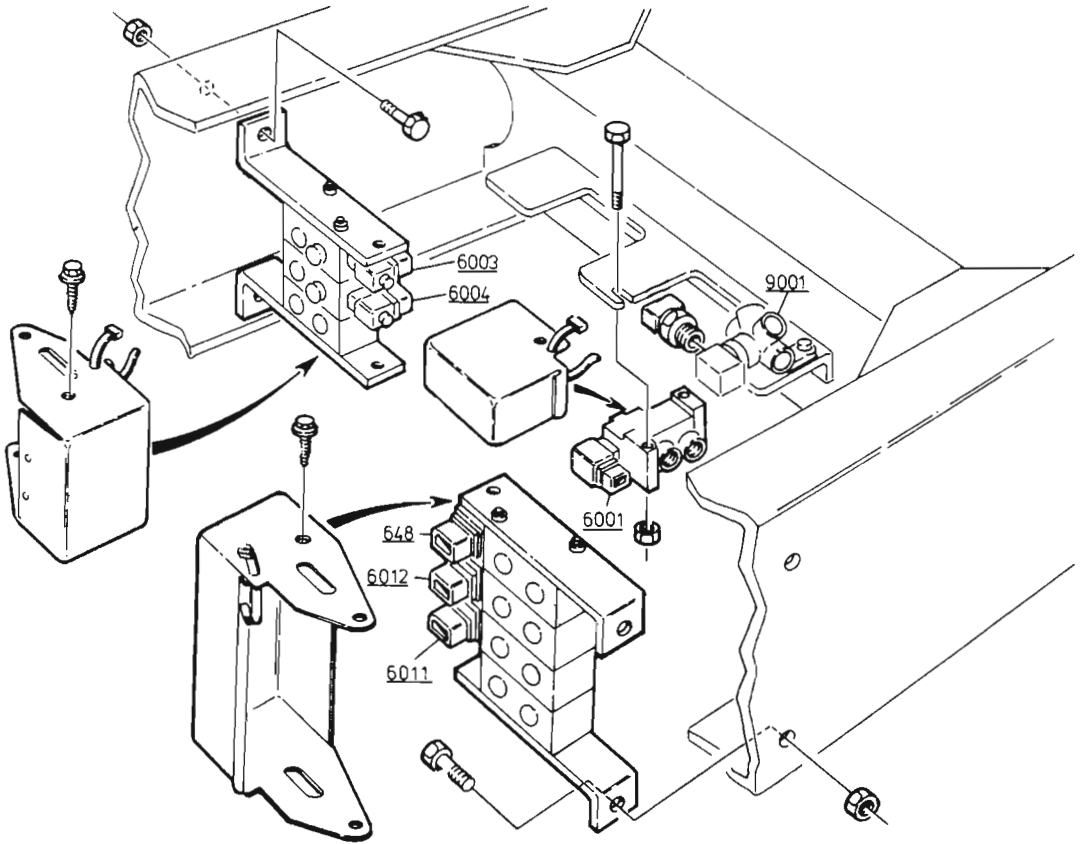
1072 6x2

MP



1072 6x2

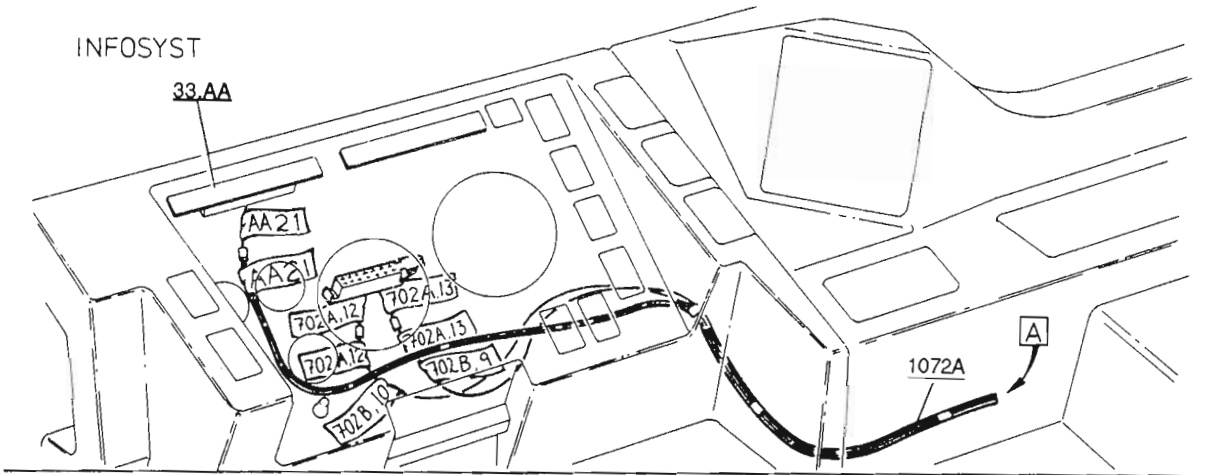
MP



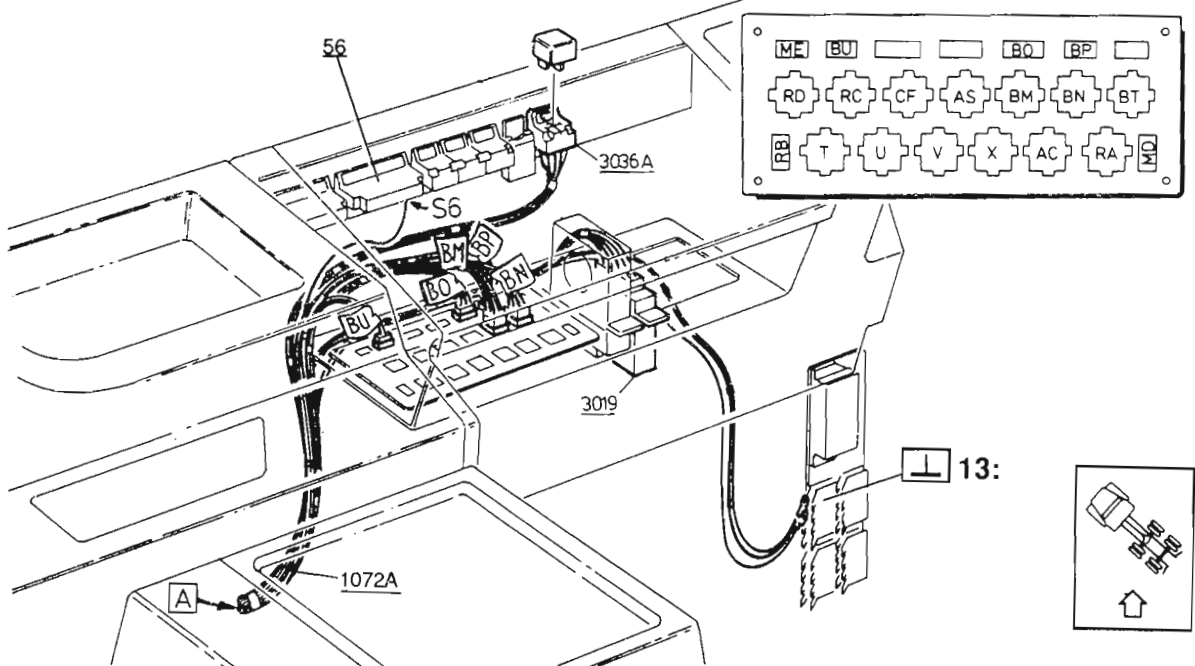
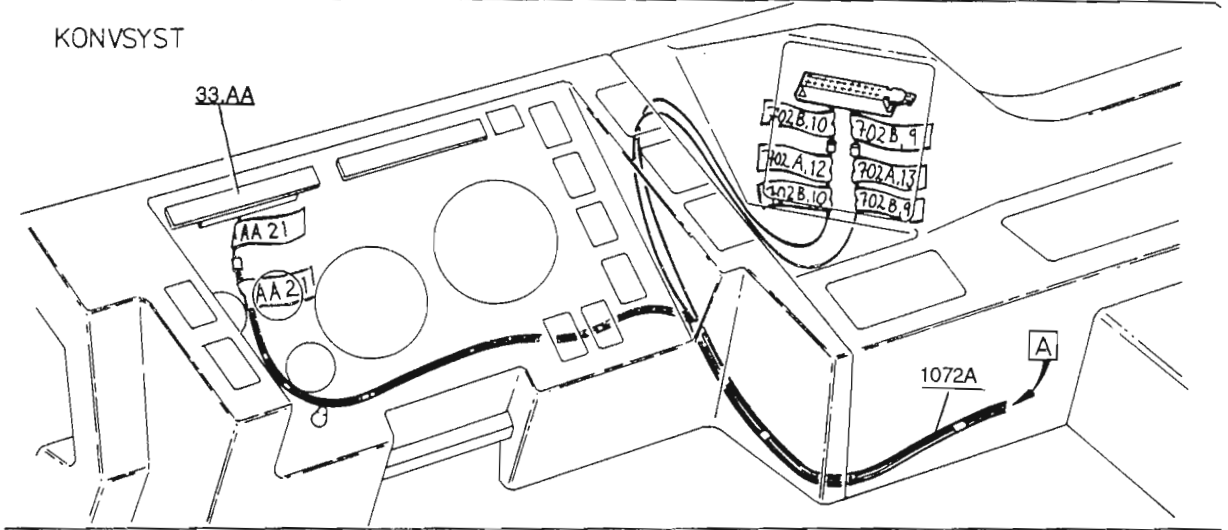
1072 6x2

MS

INFOSYST

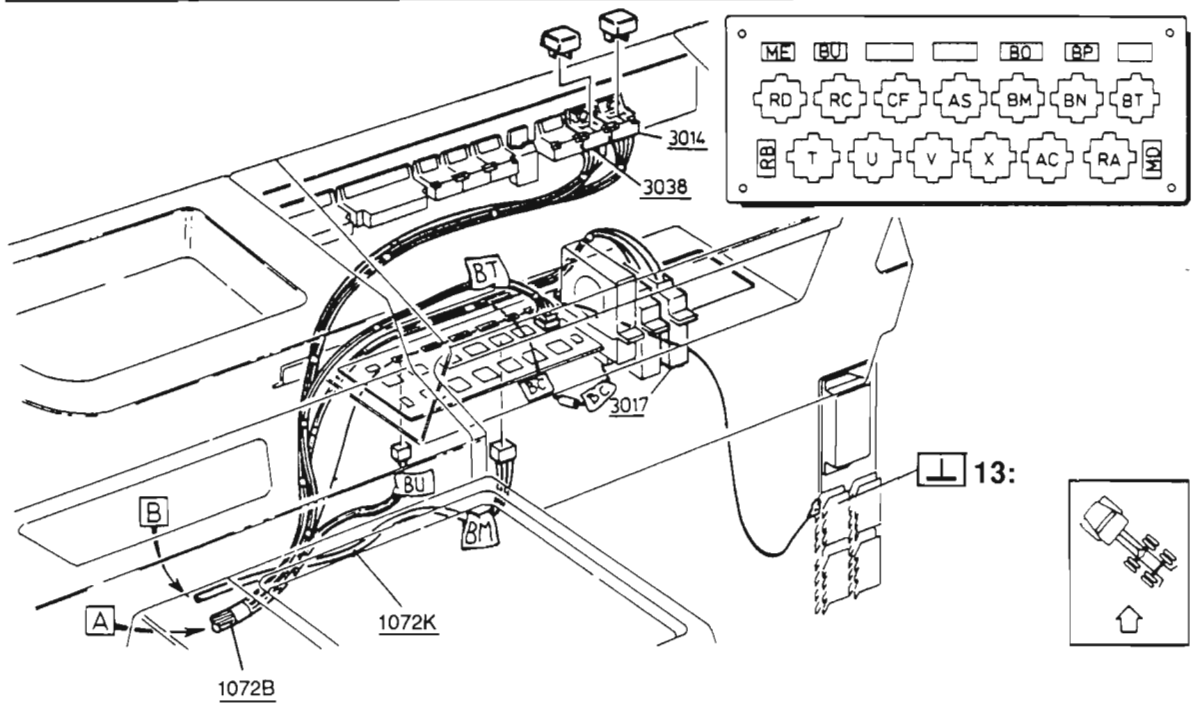
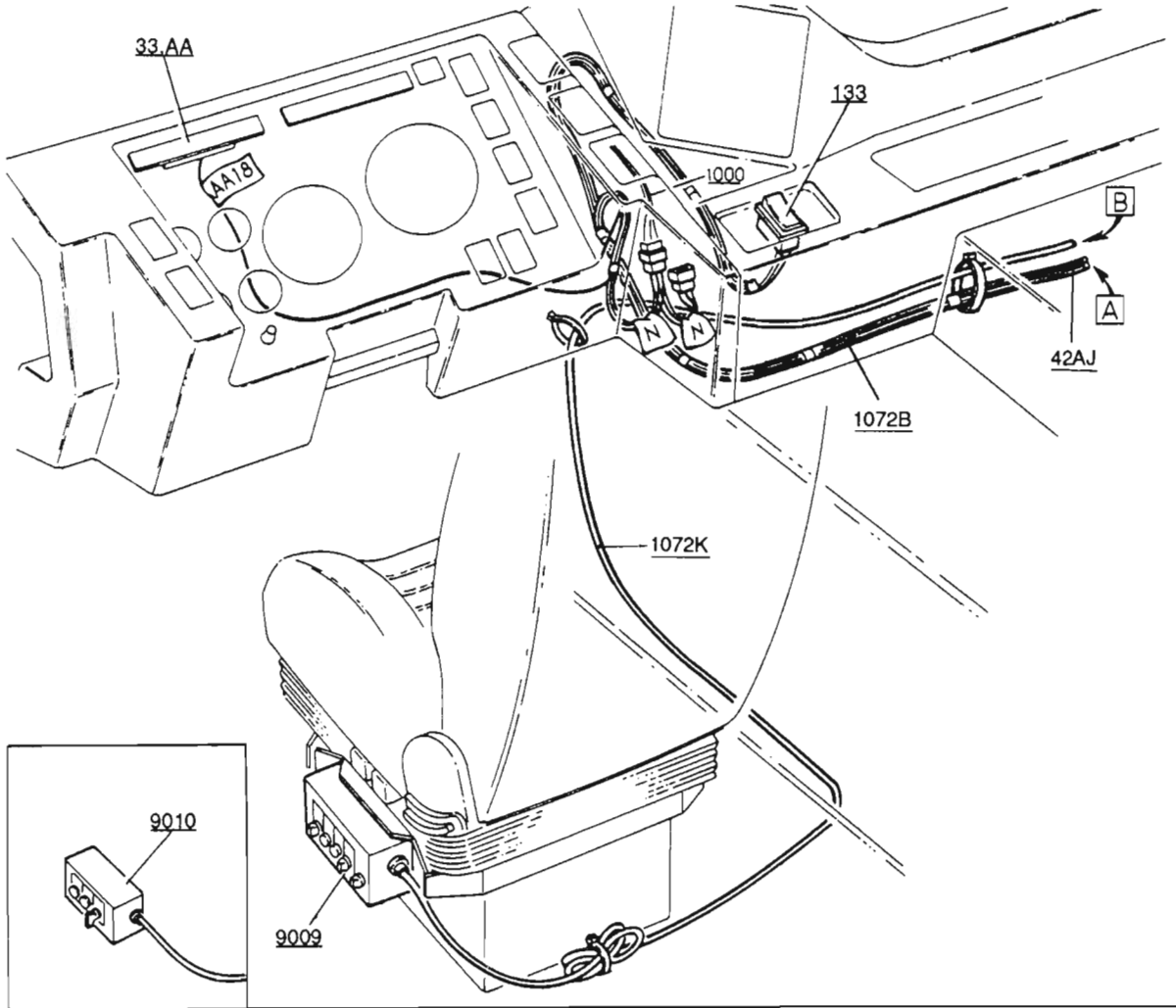


KONVSYST



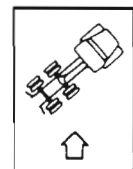
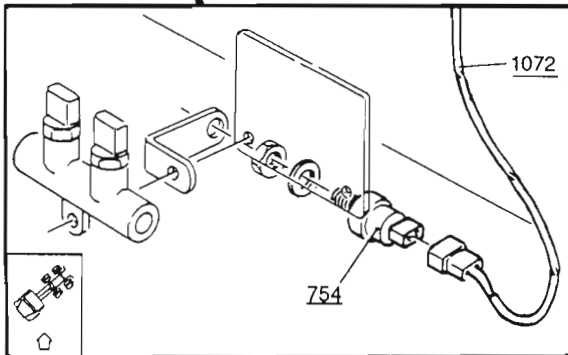
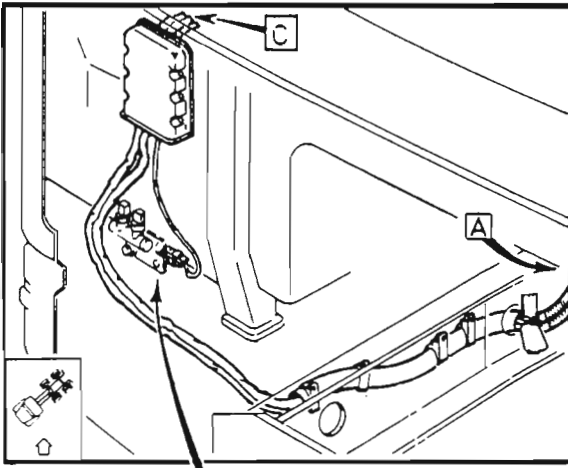
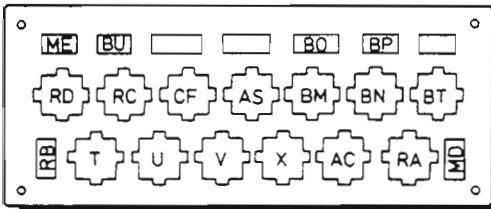
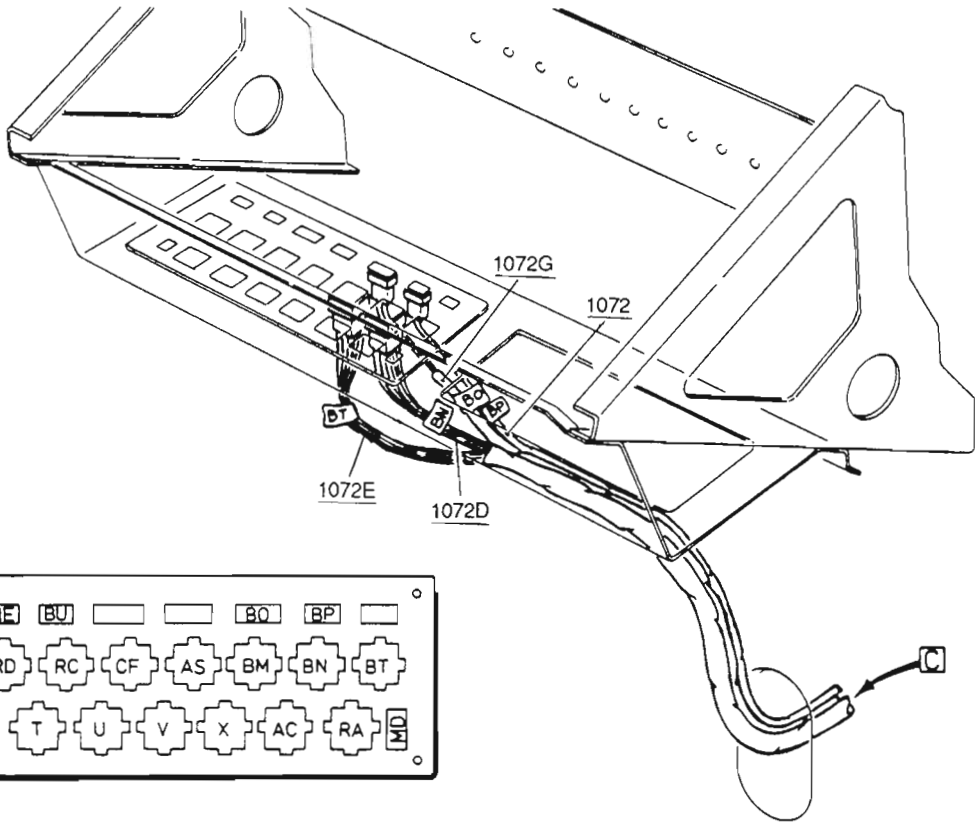
1072 6x2

MS



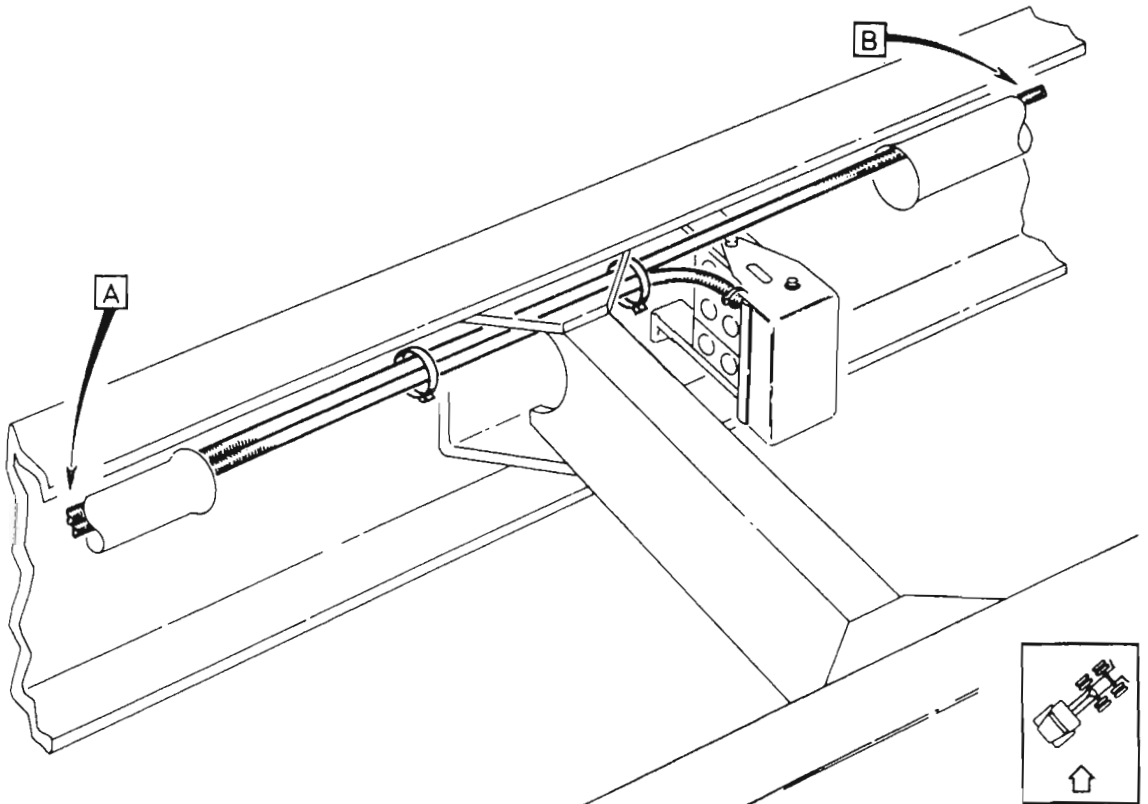
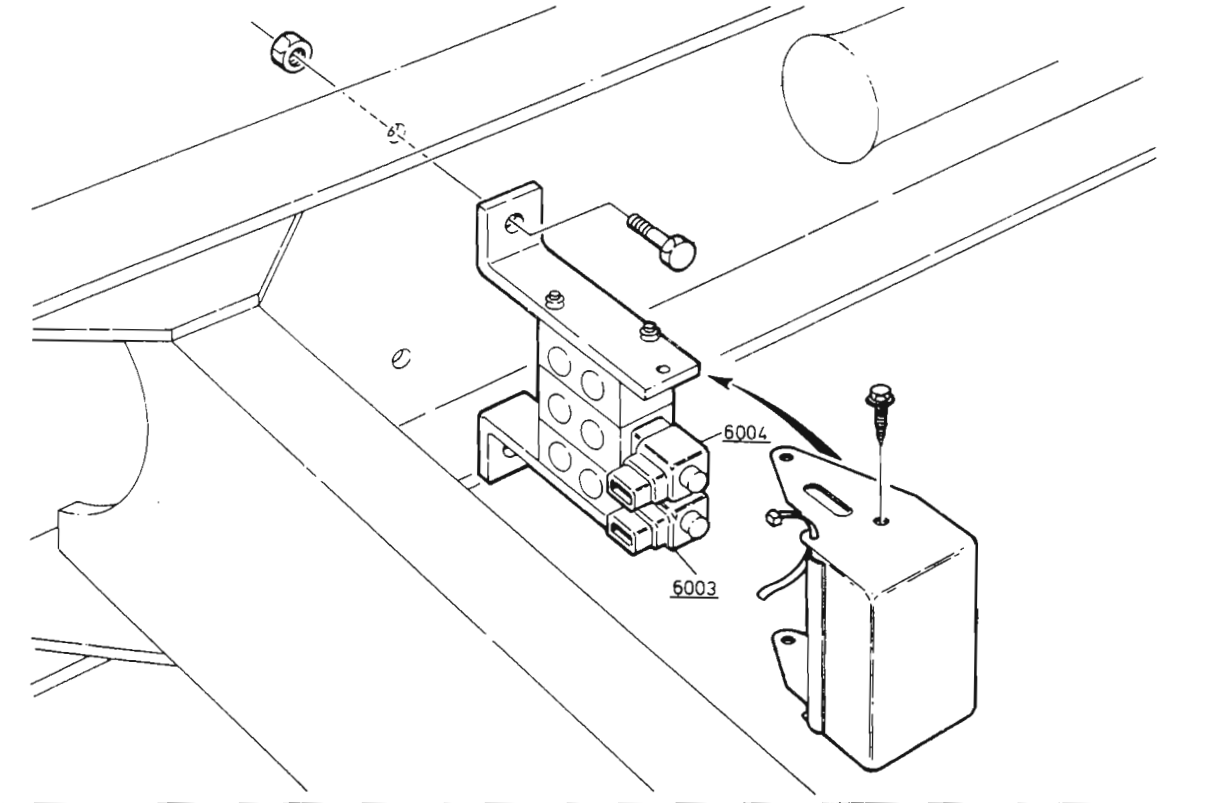
1072 6x2

MS



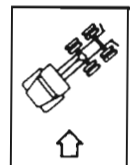
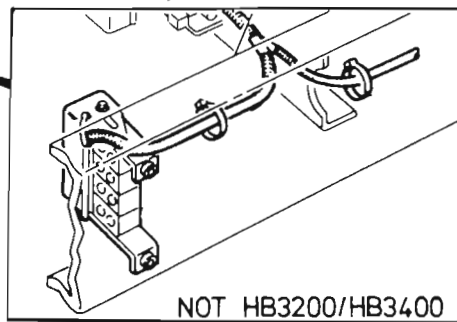
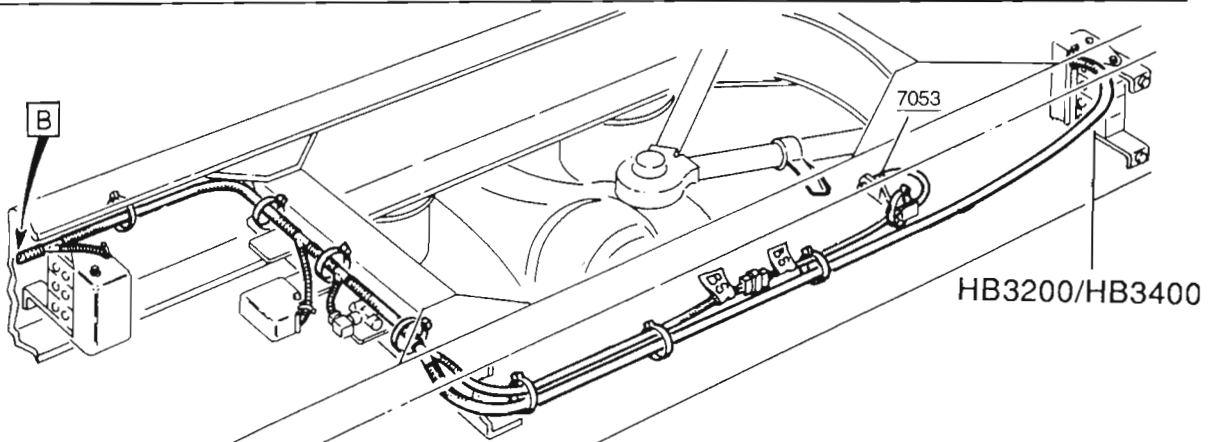
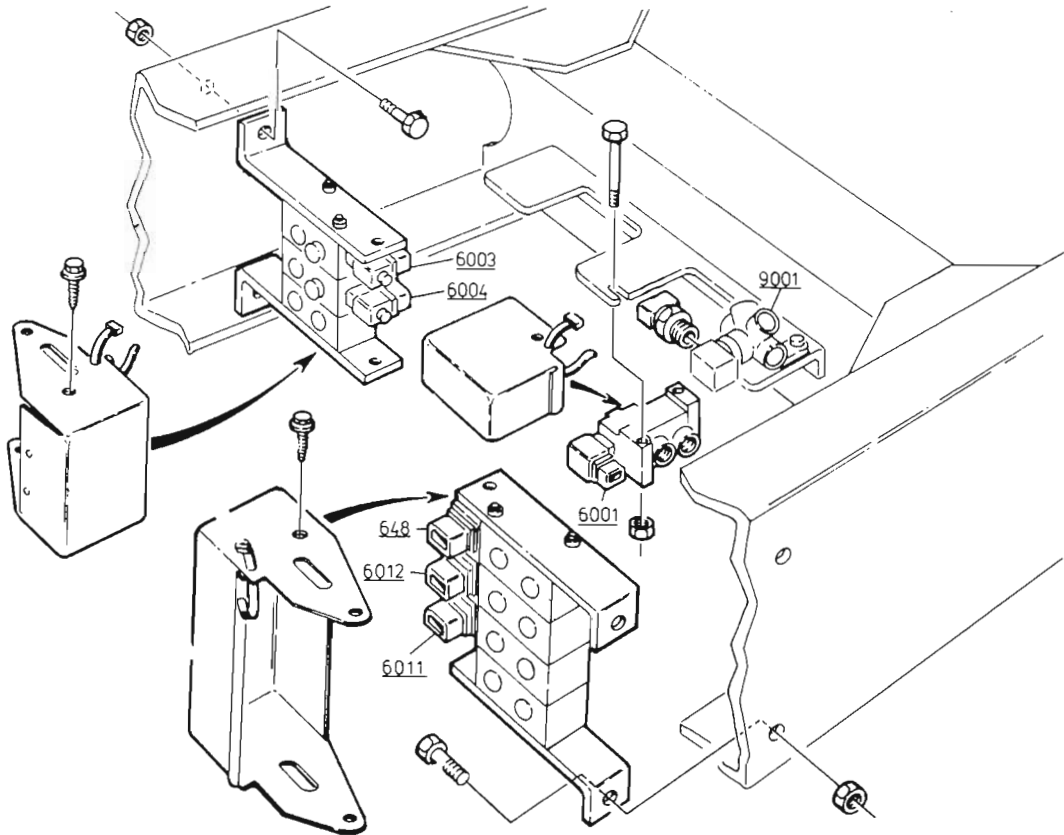
1072 6x2

MS



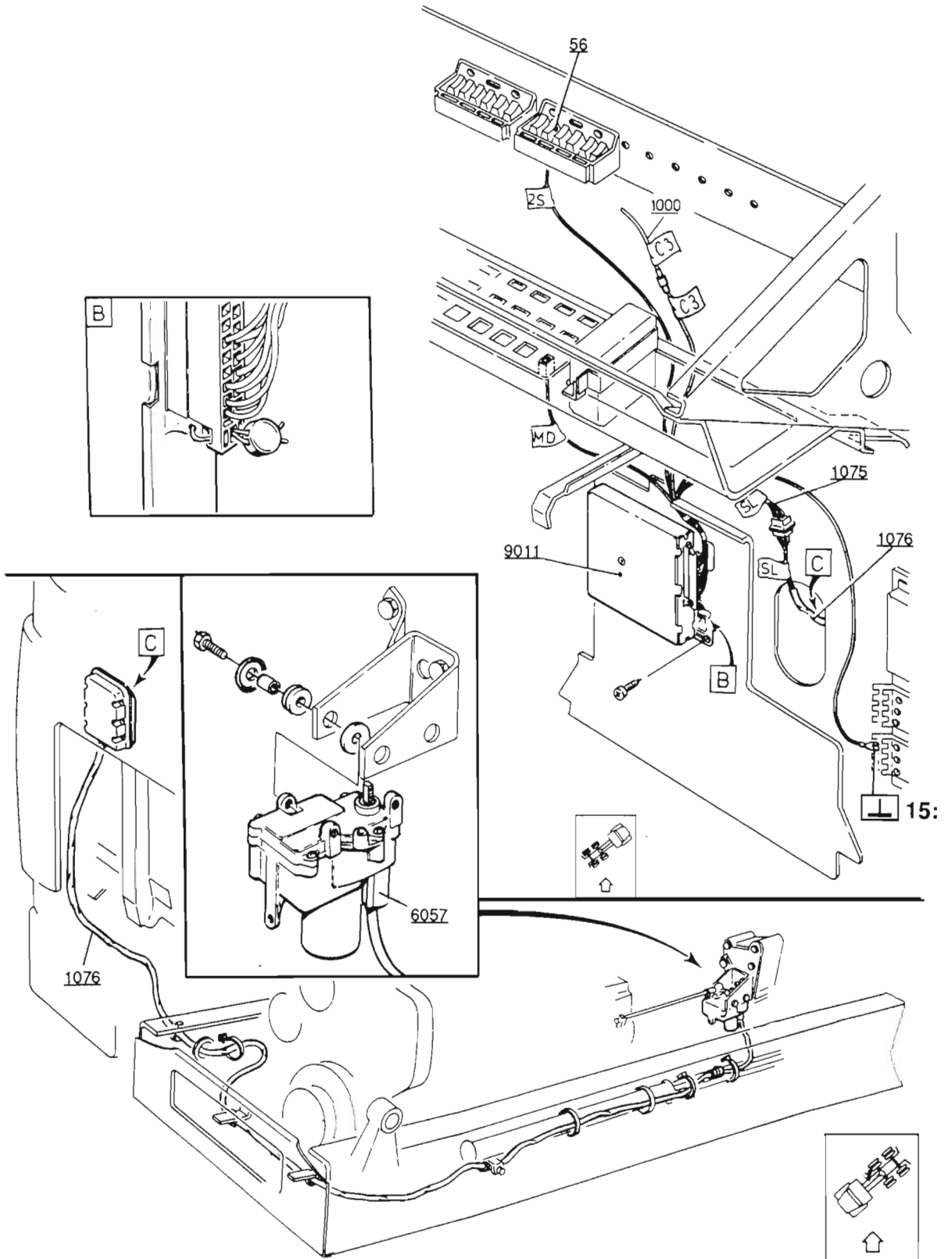
1072 6x2

MS



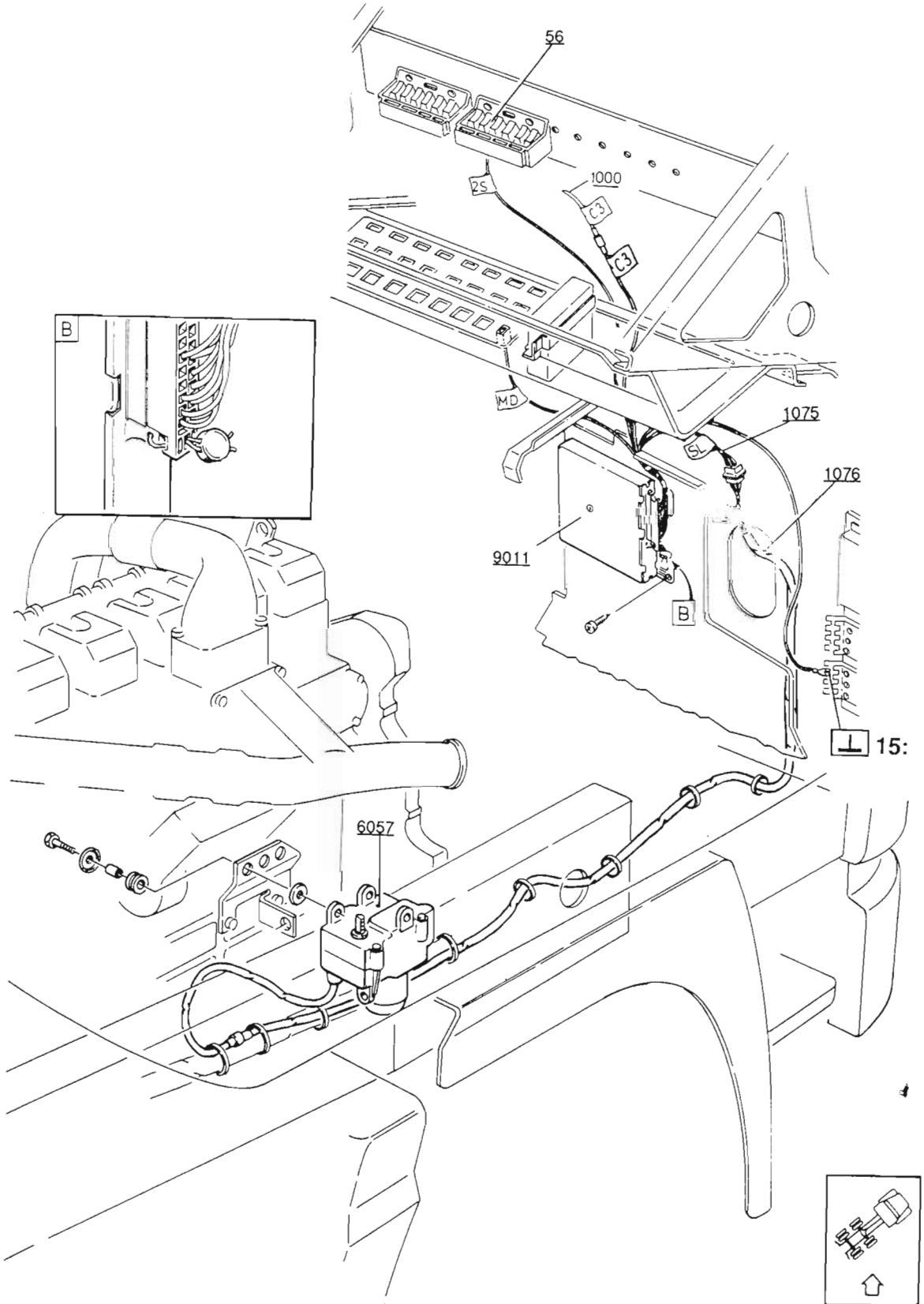
1075, 1076

F10, F12

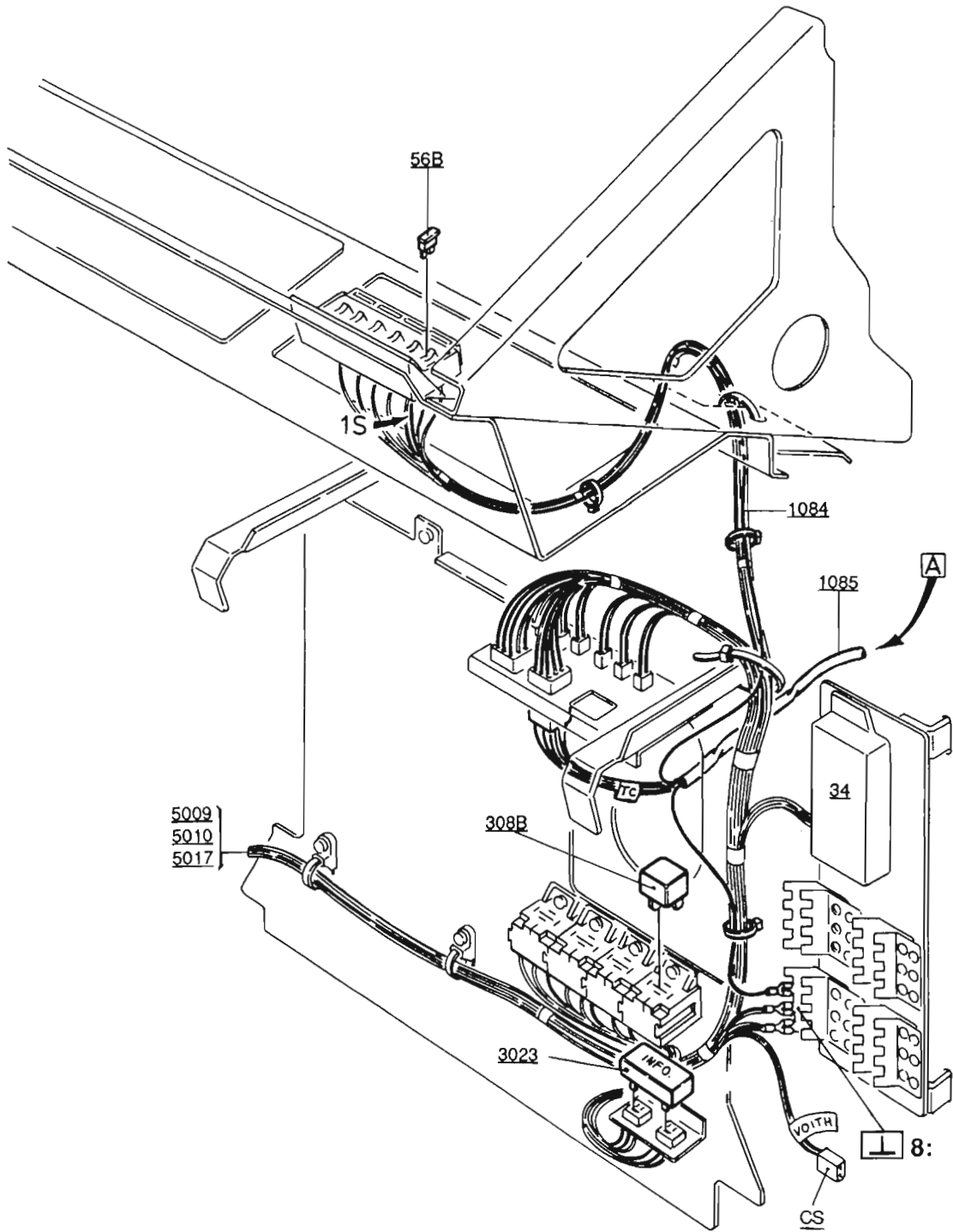


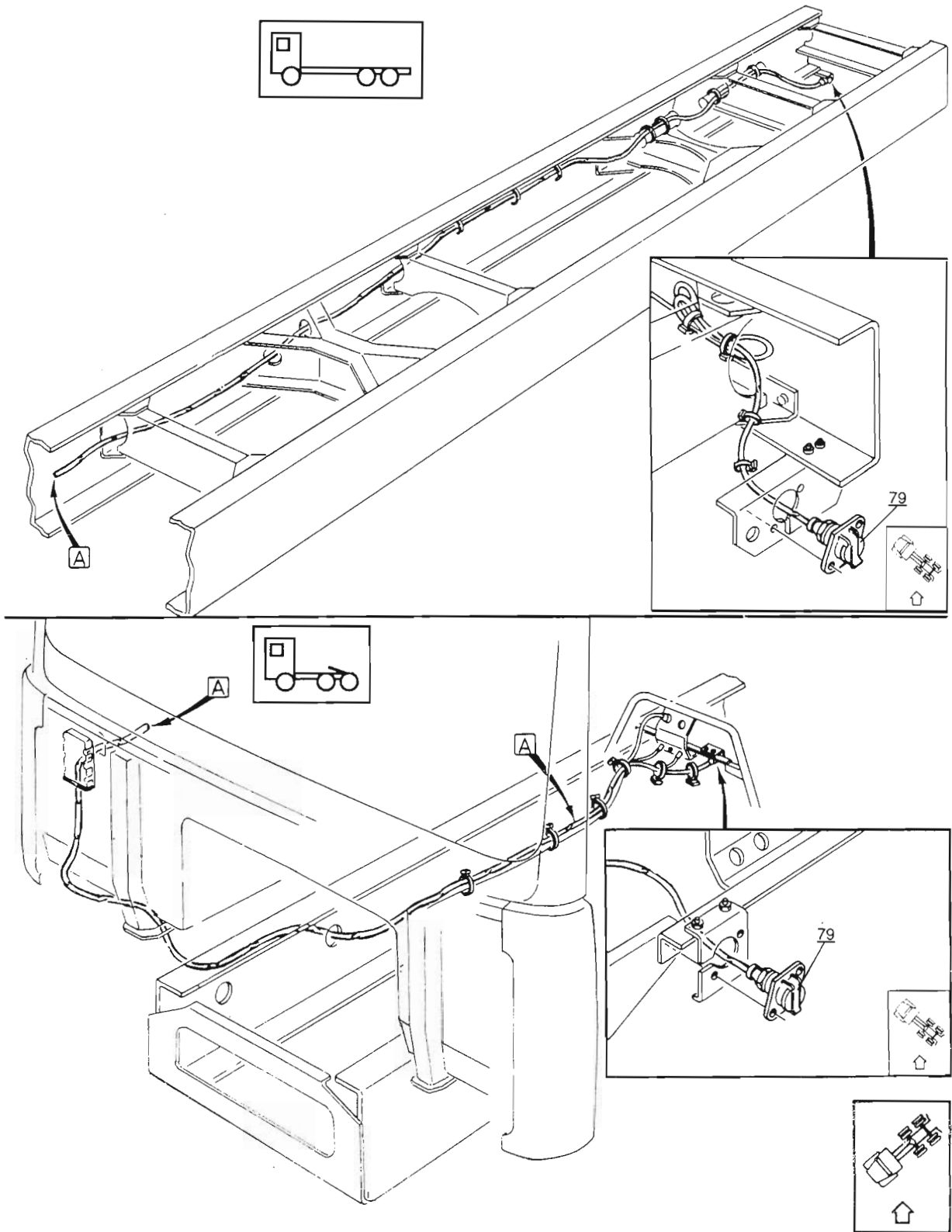
1075, 1076

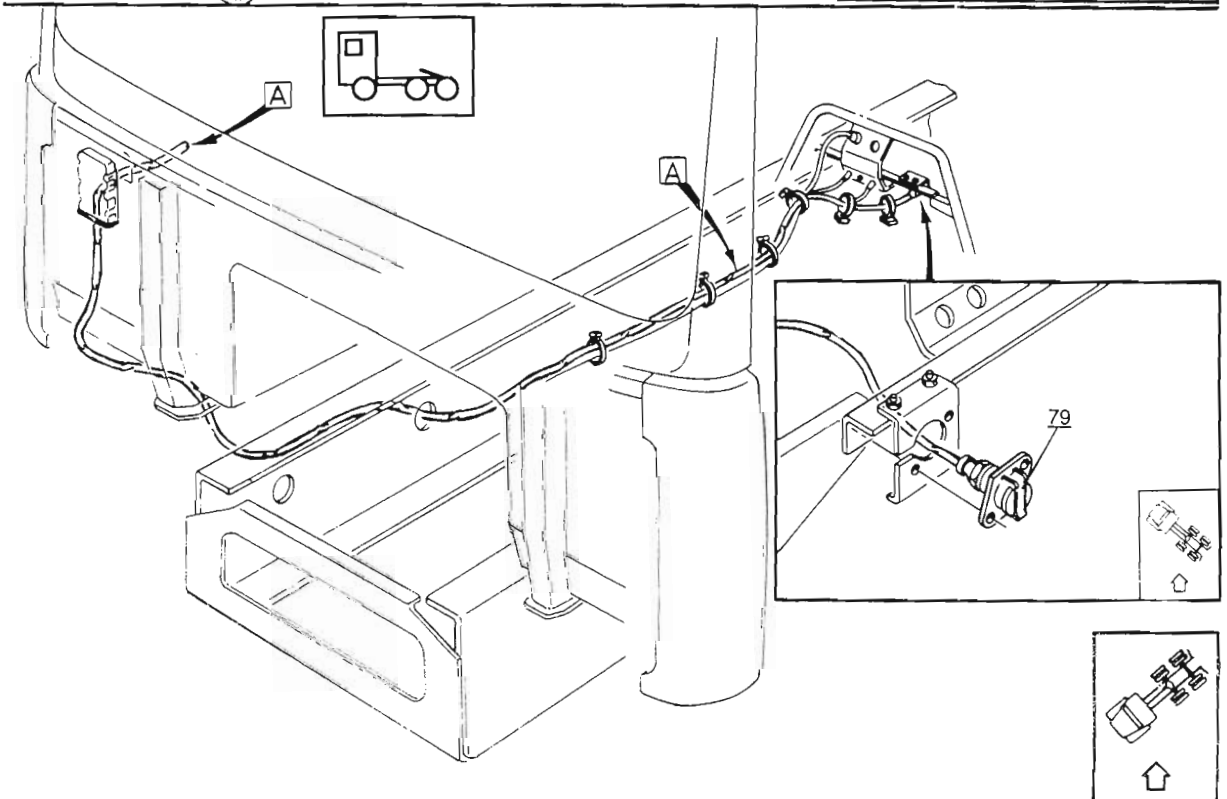
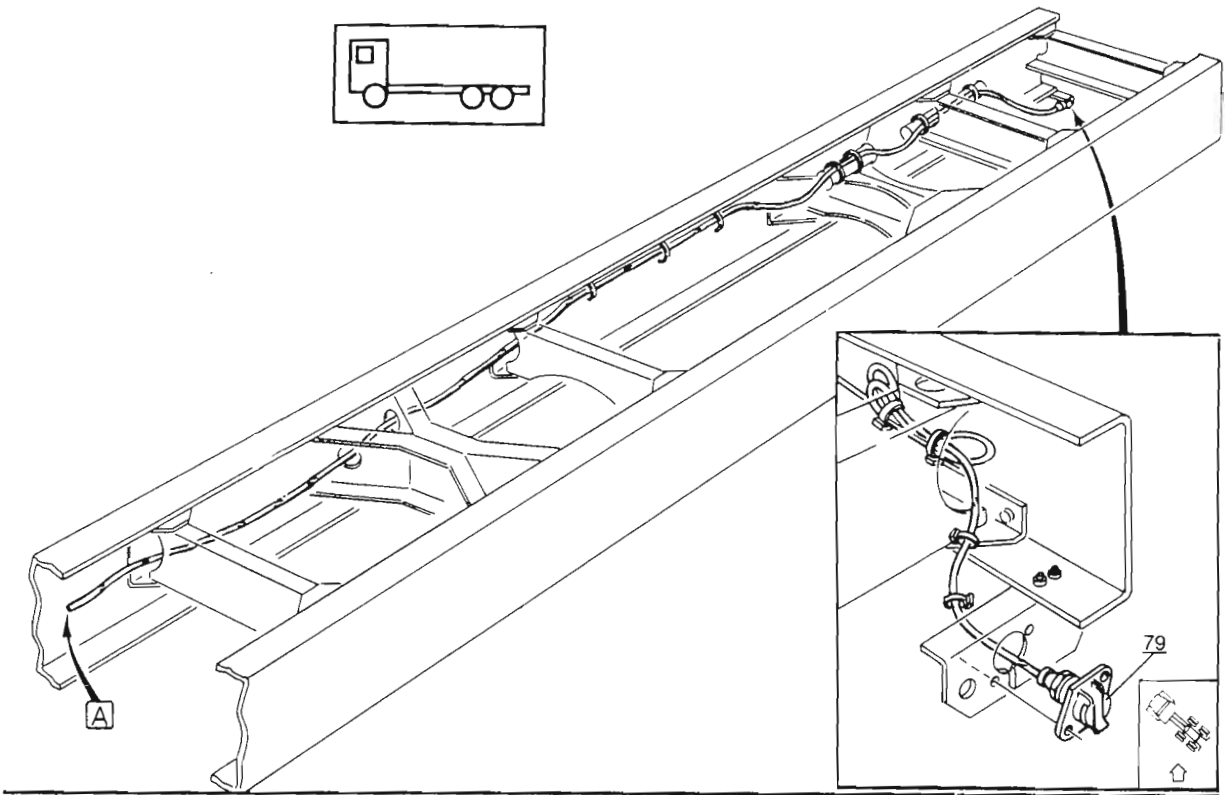
F16



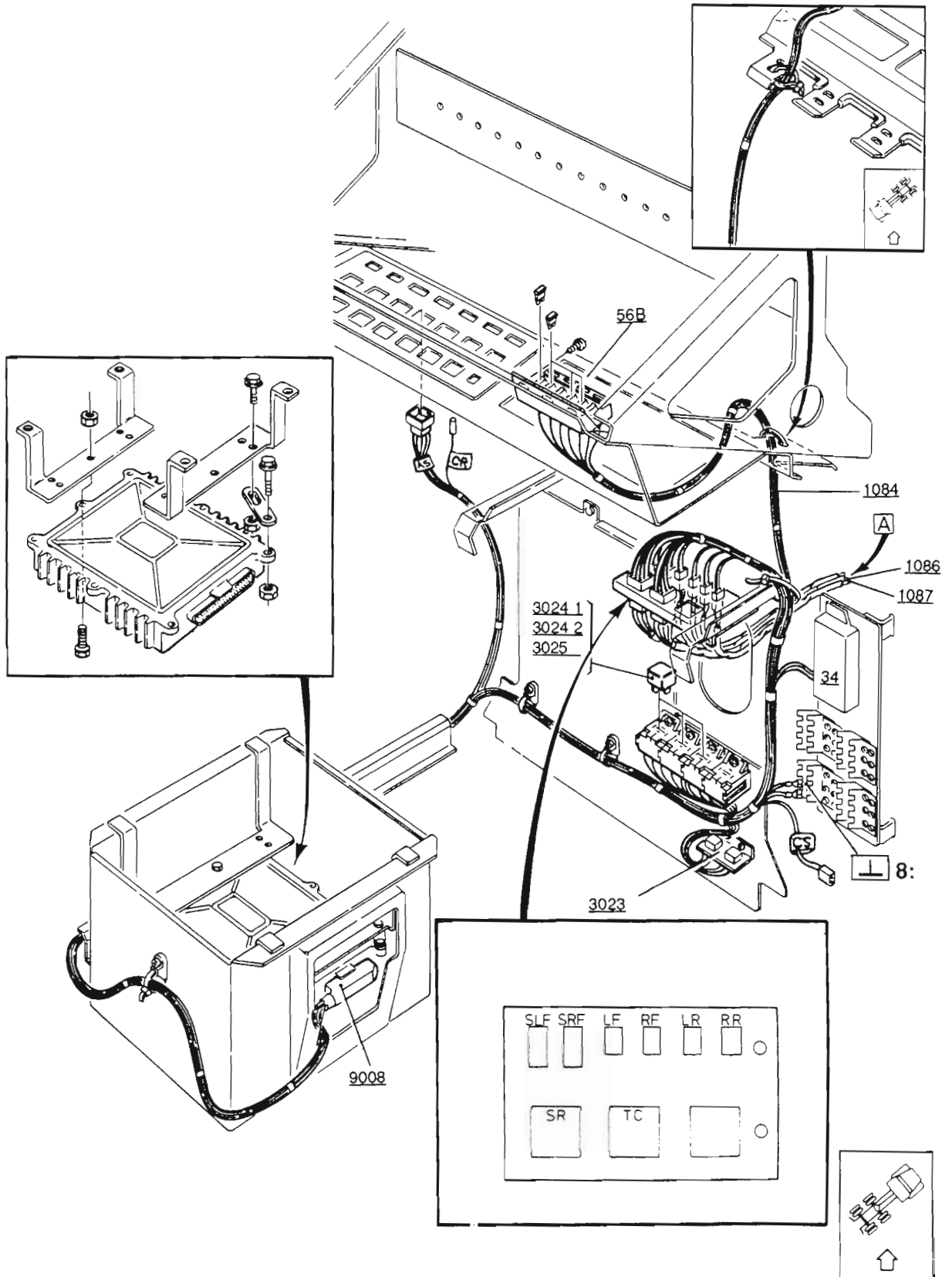
1084, 1085



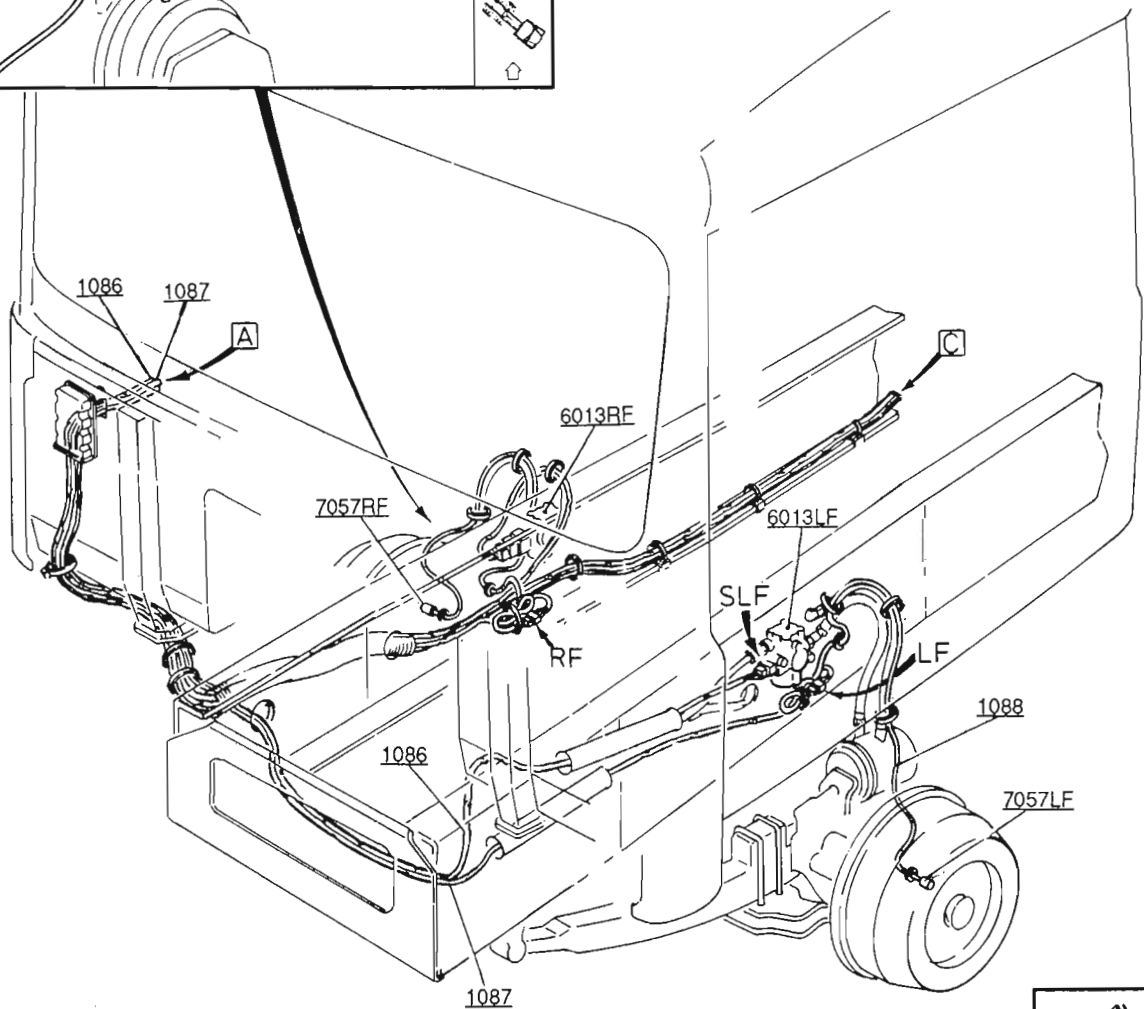
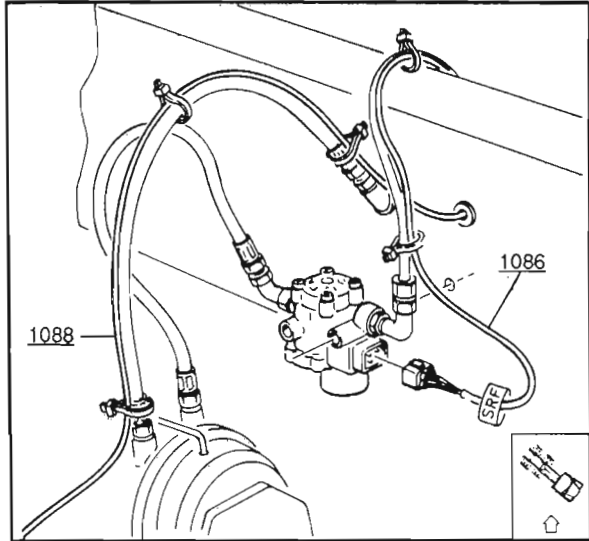




1084

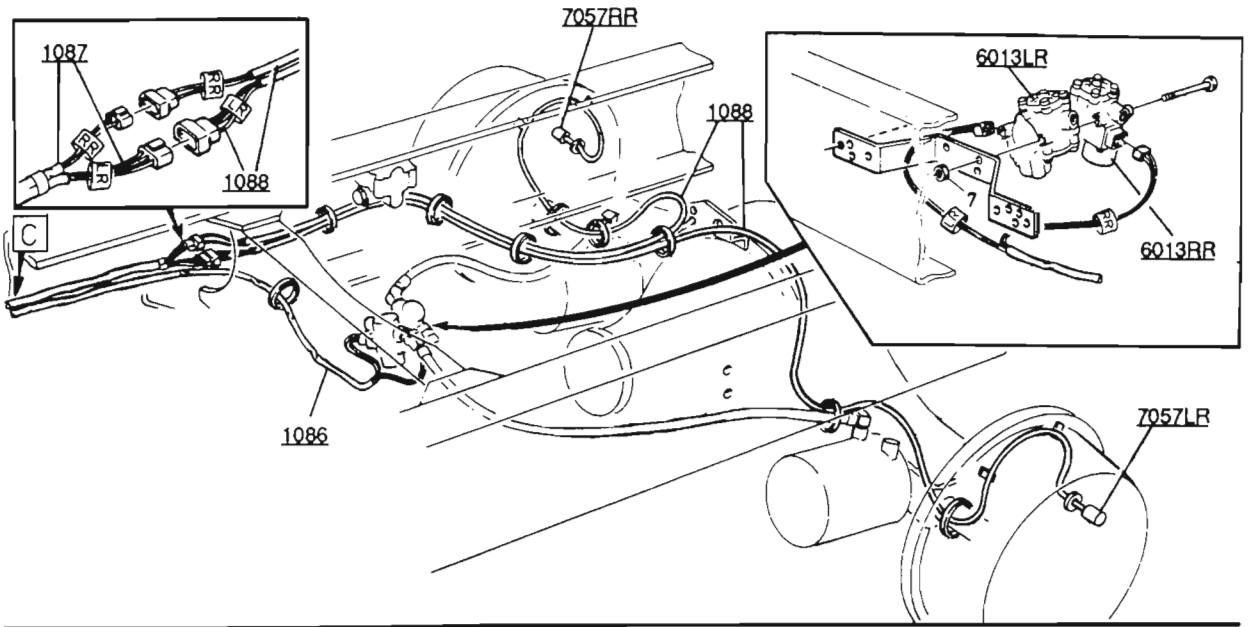


1086, 1087, 1088

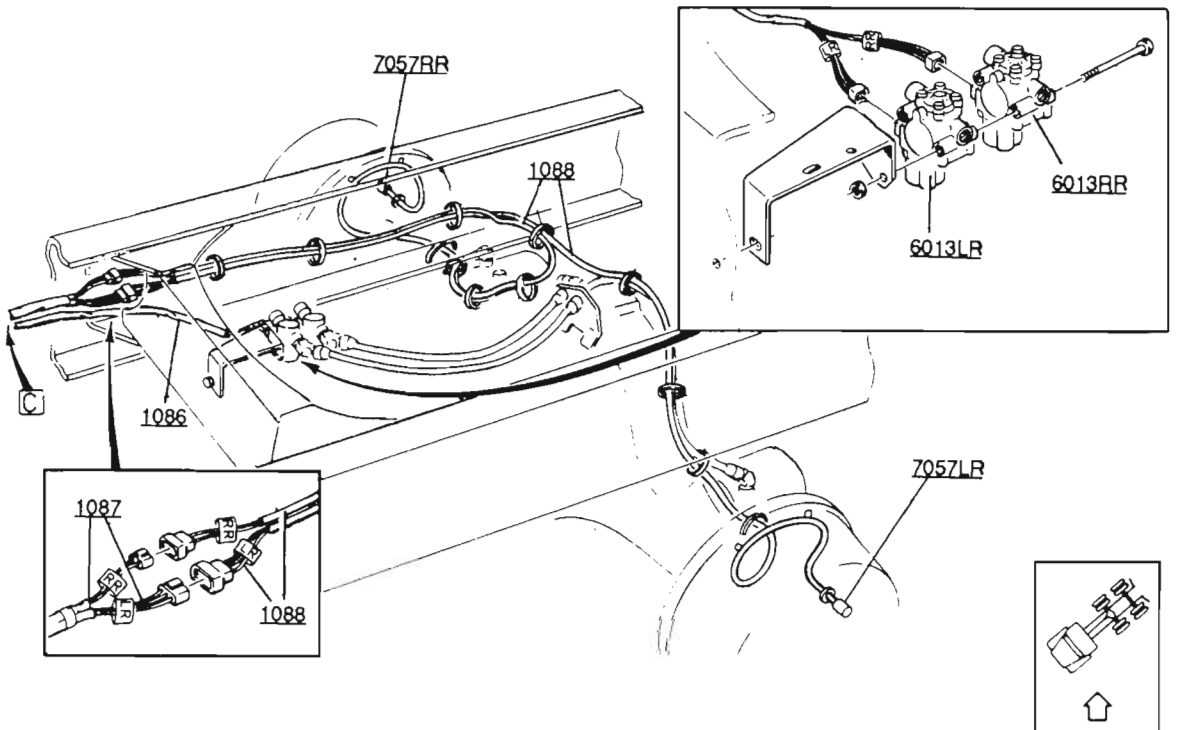


1086, 1087, 1088

4x2

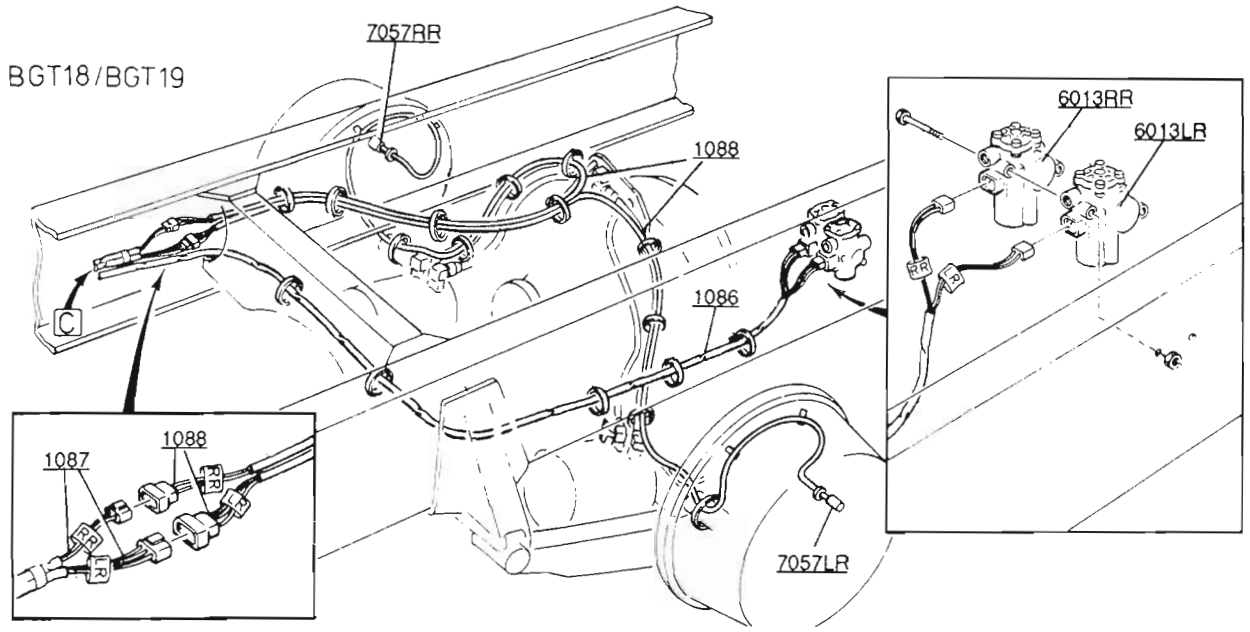


4x2

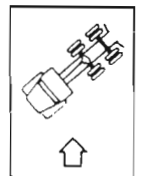
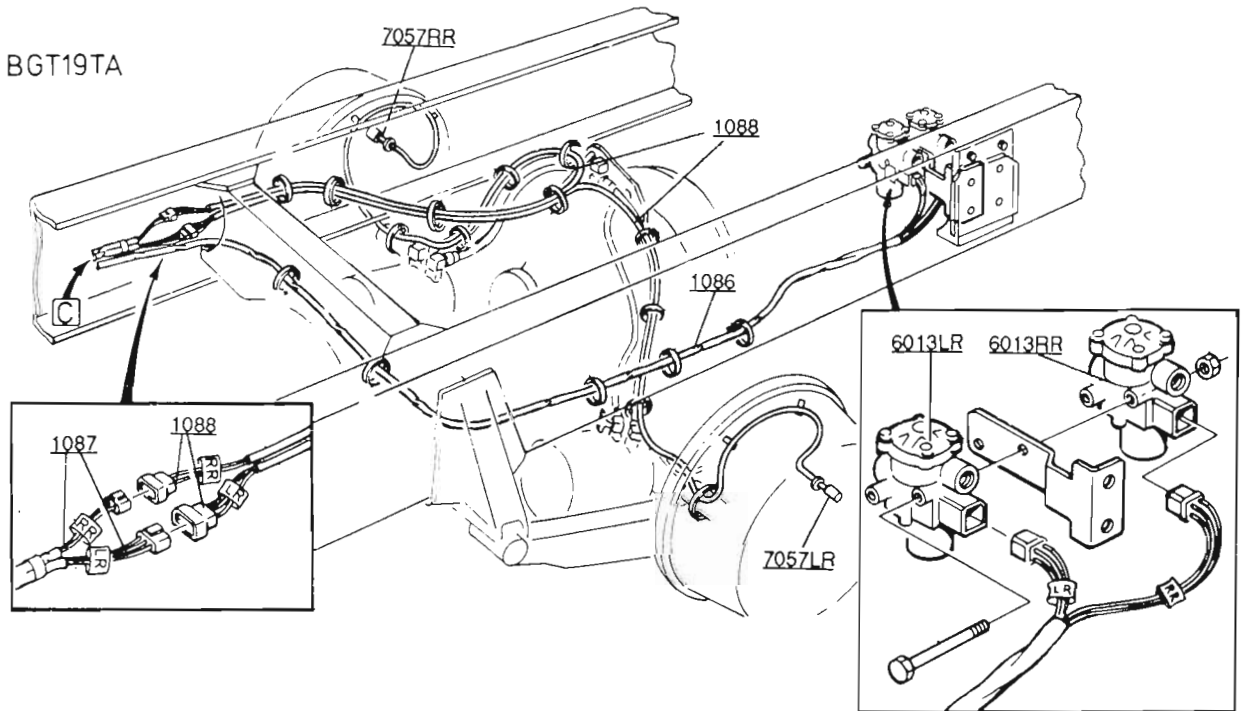


1086, 1087, 1088

6x2

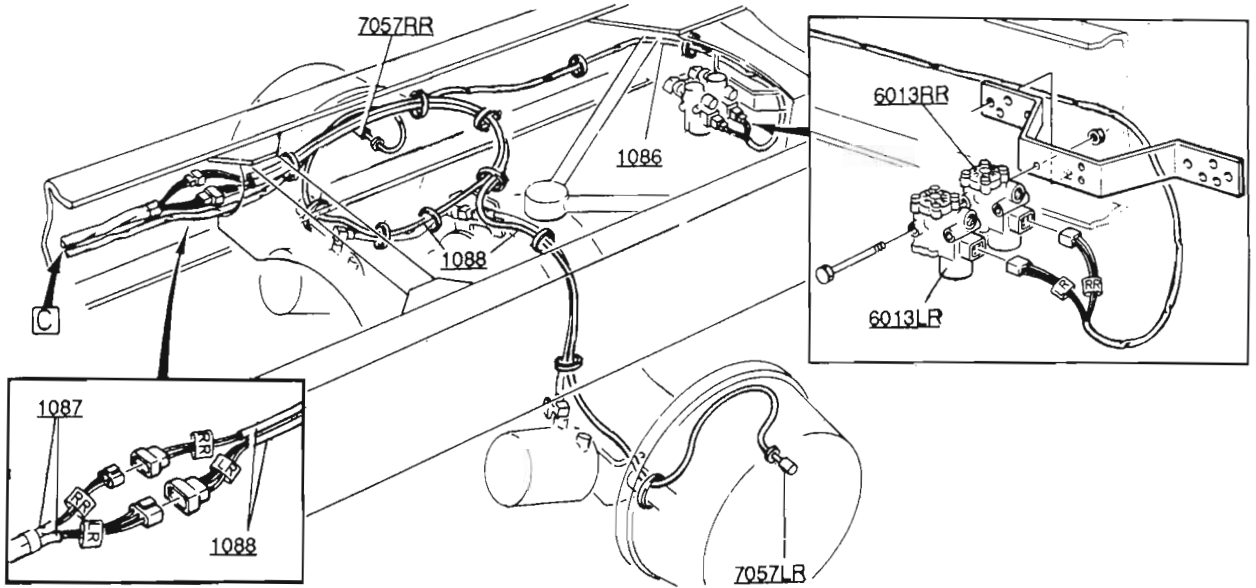


6x2

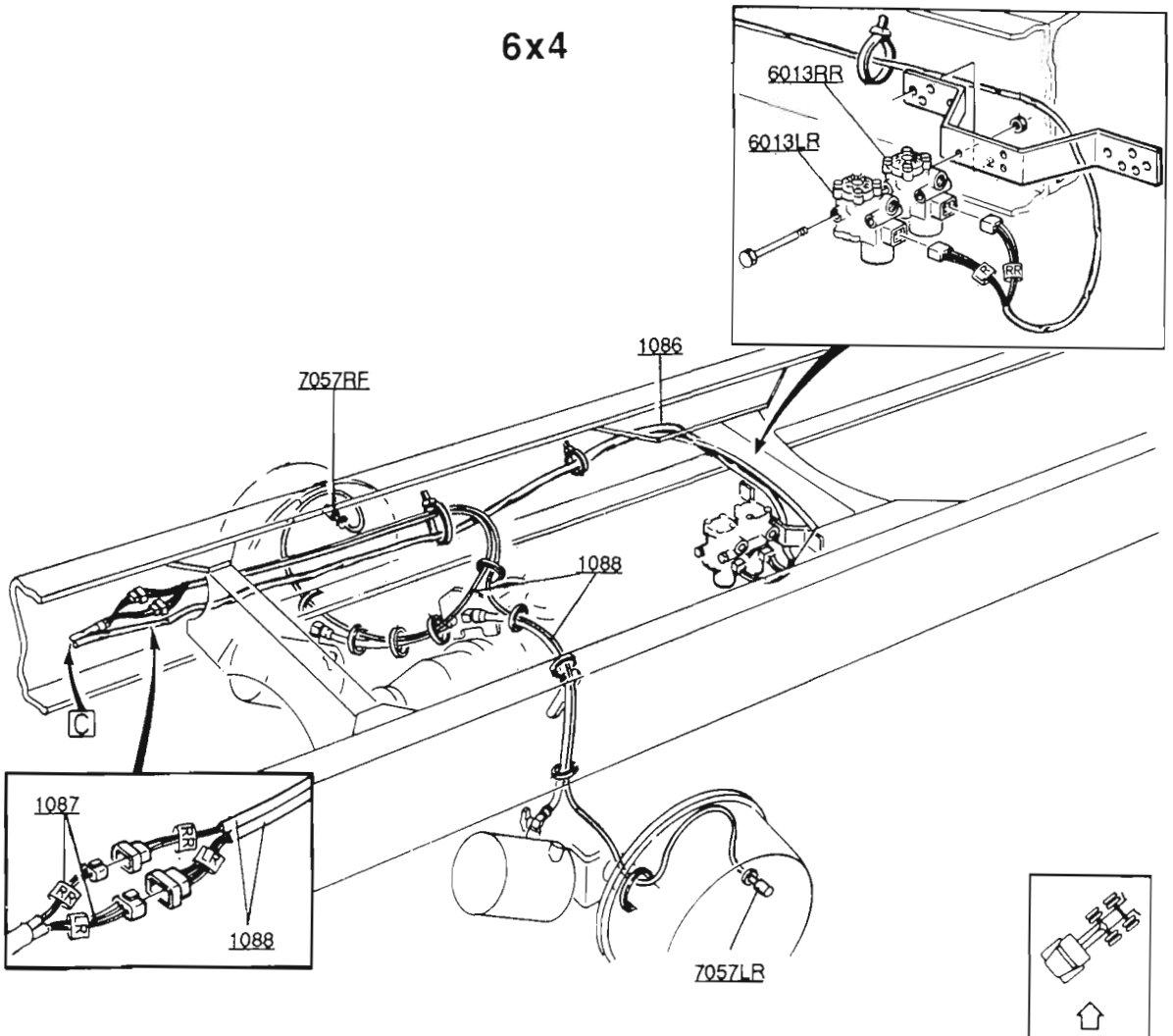


1086, 1087, 1088

6x2

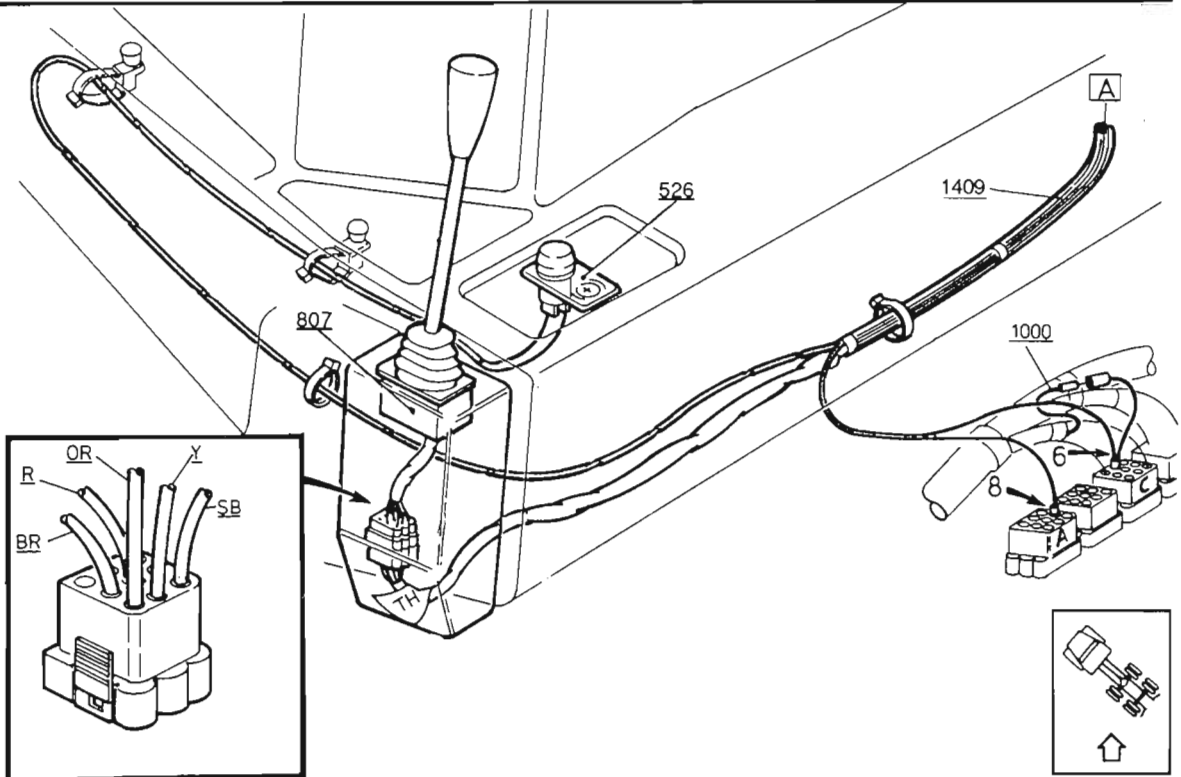
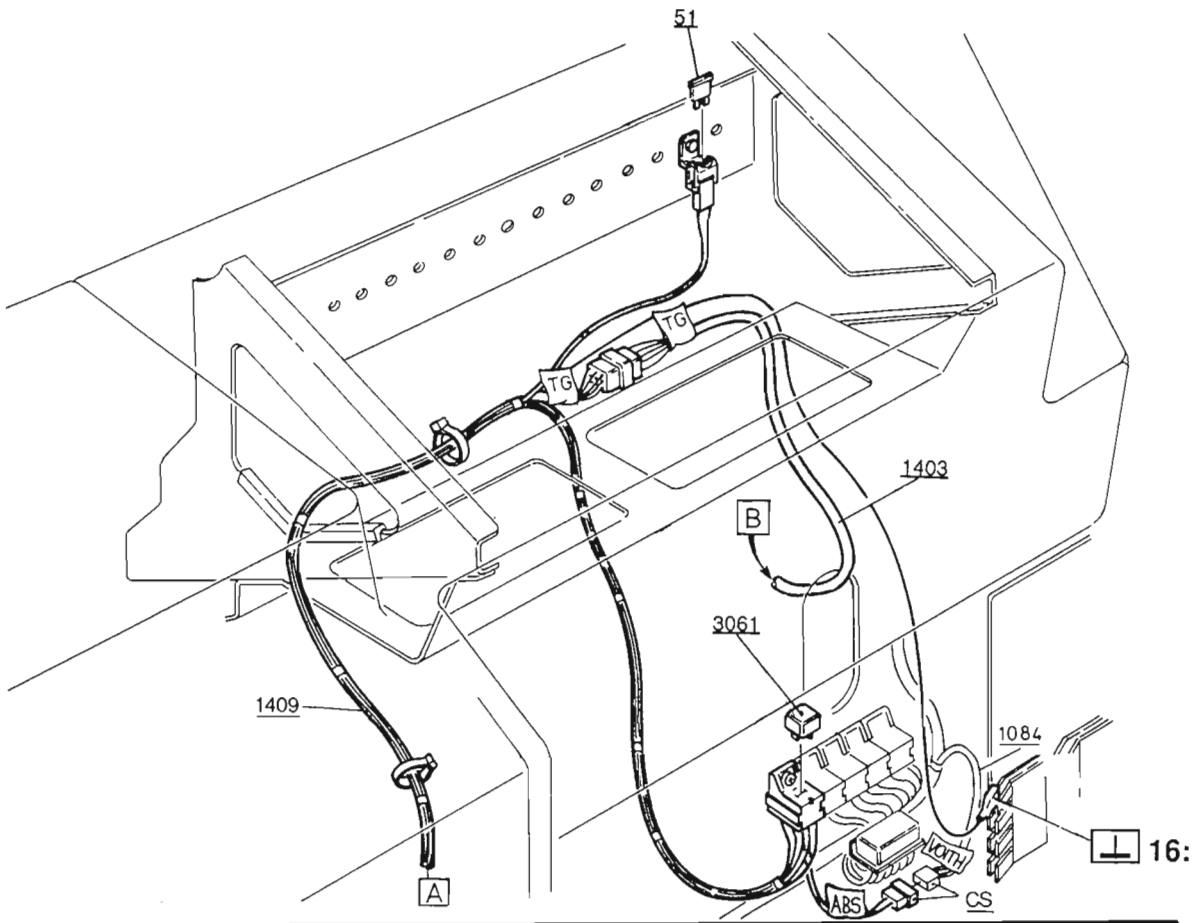


6x4



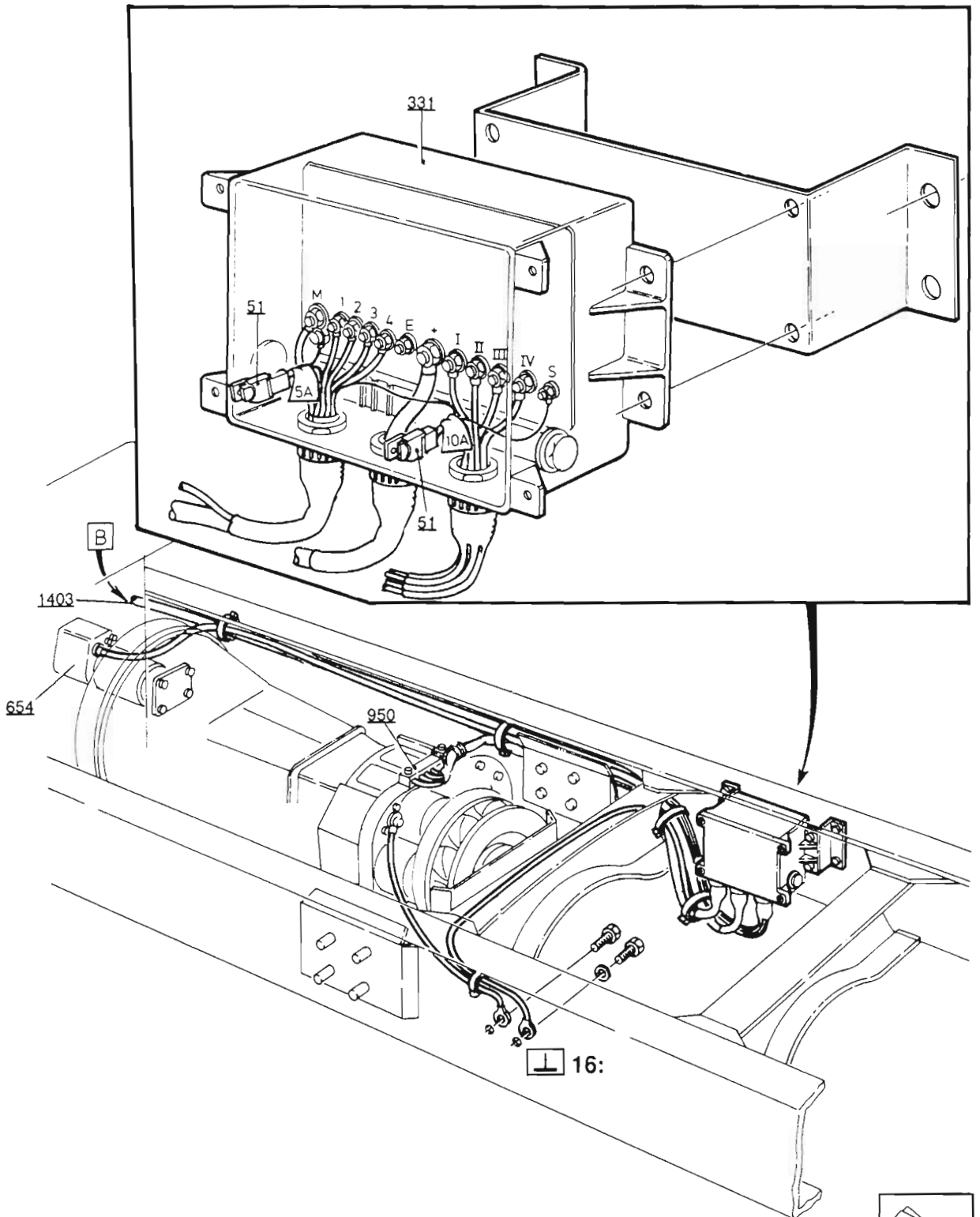
1403, 1409

OD

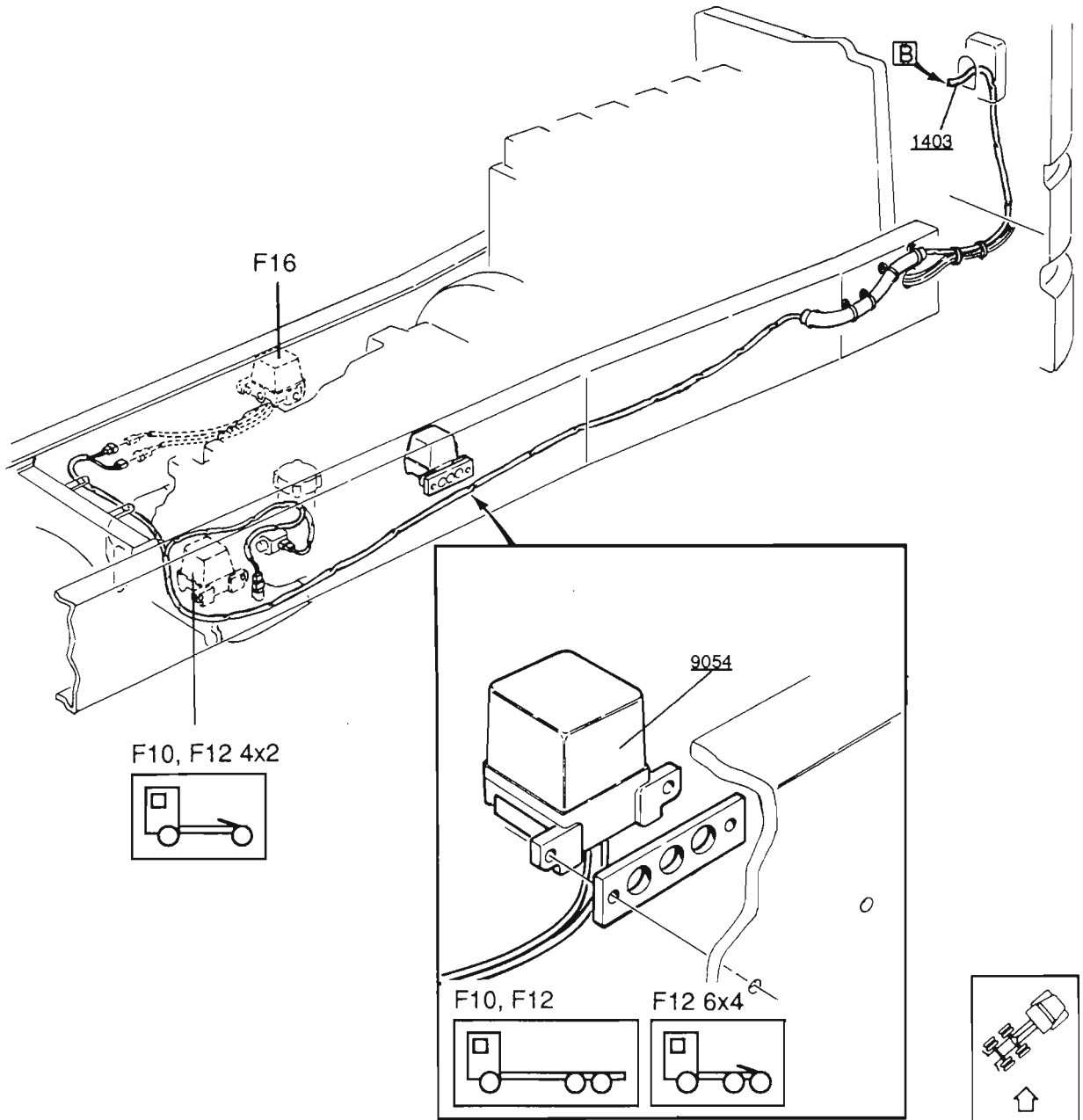


1403

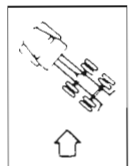
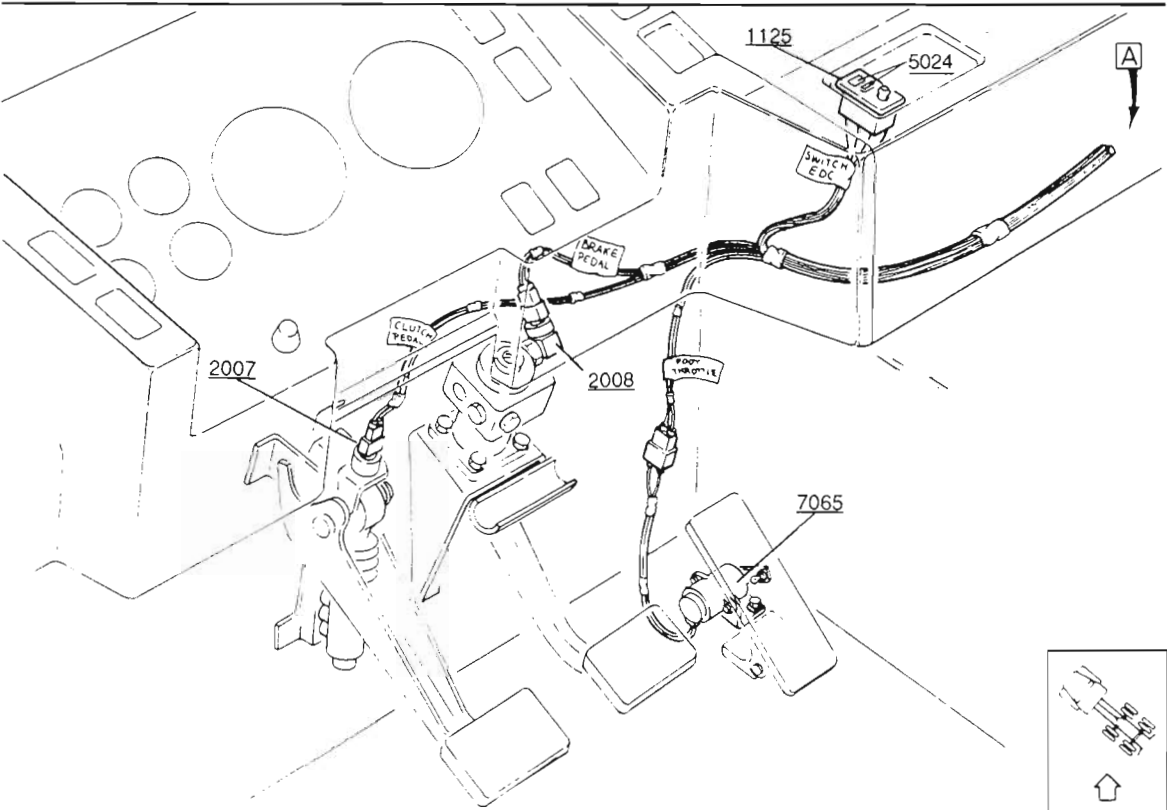
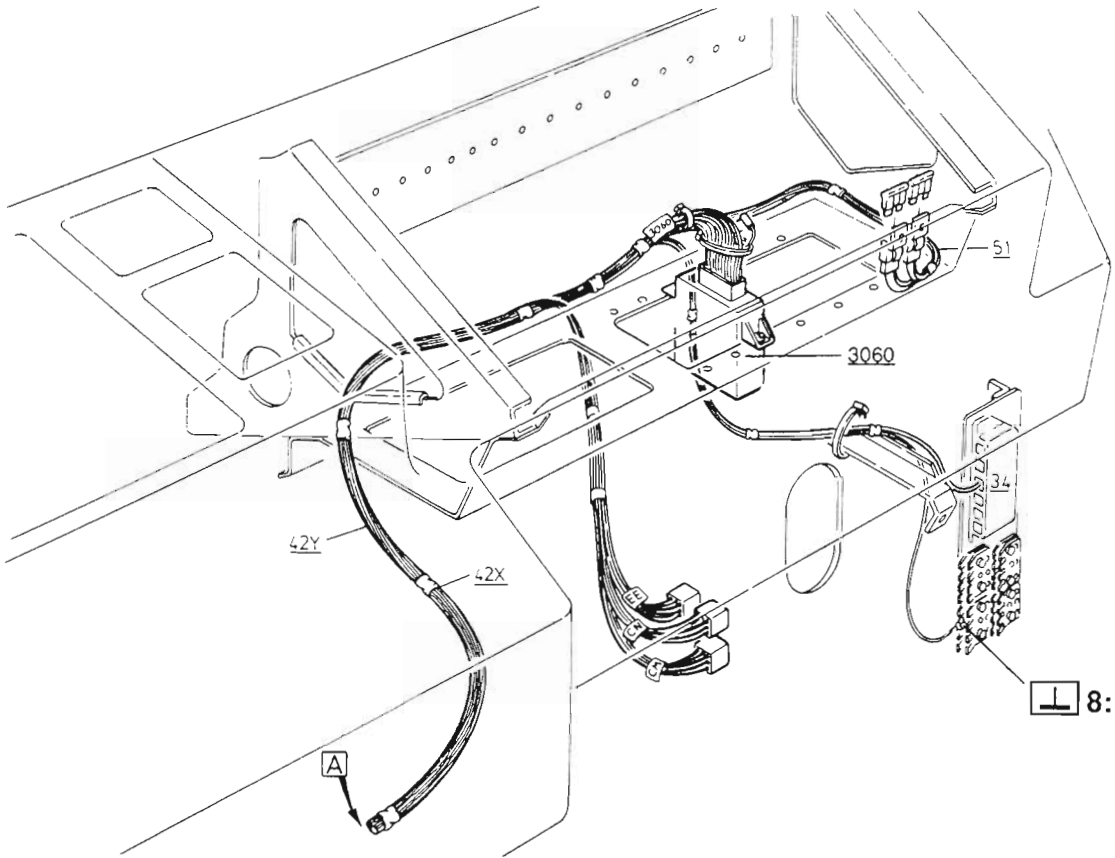
OD



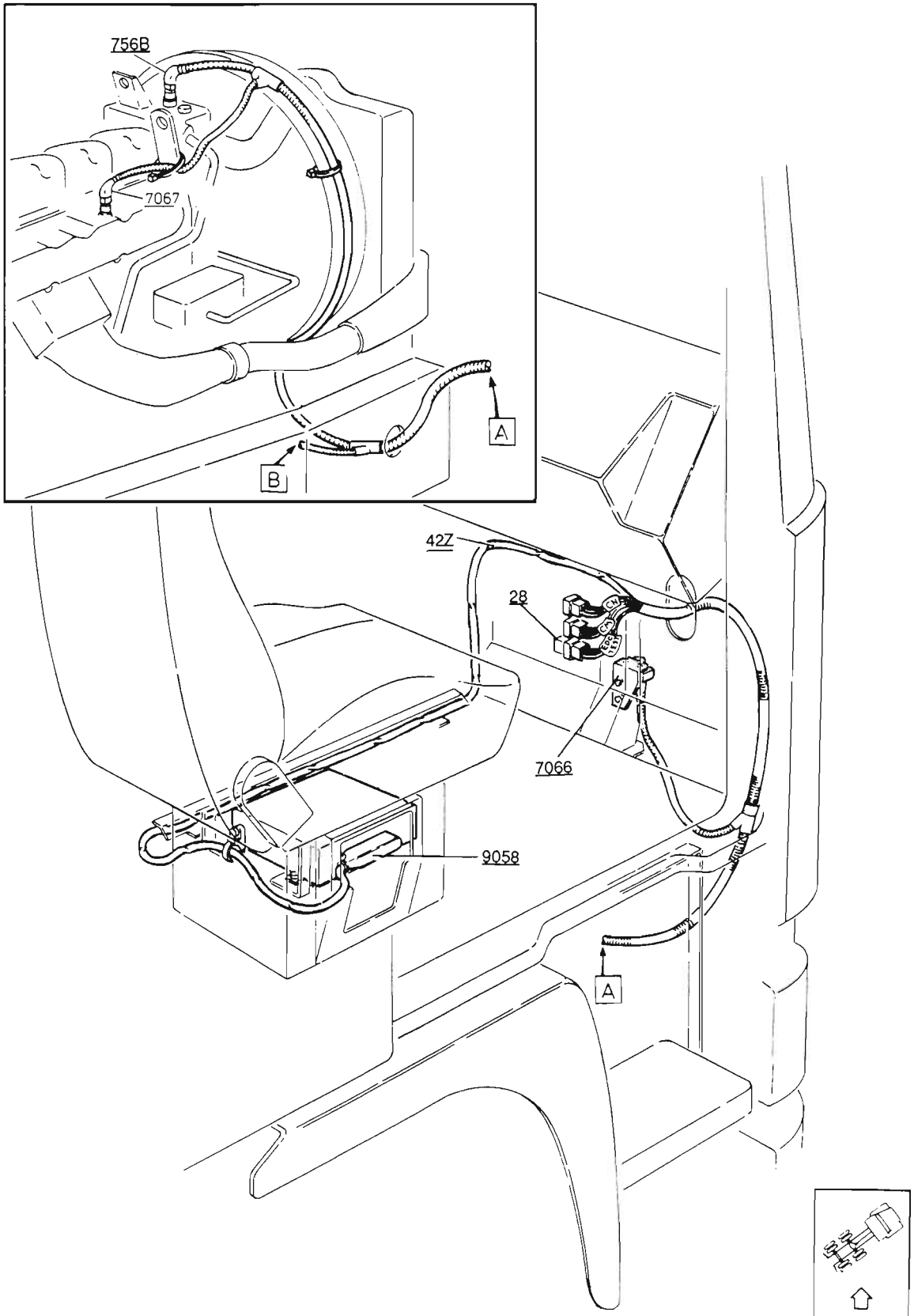
1403



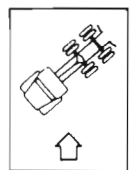
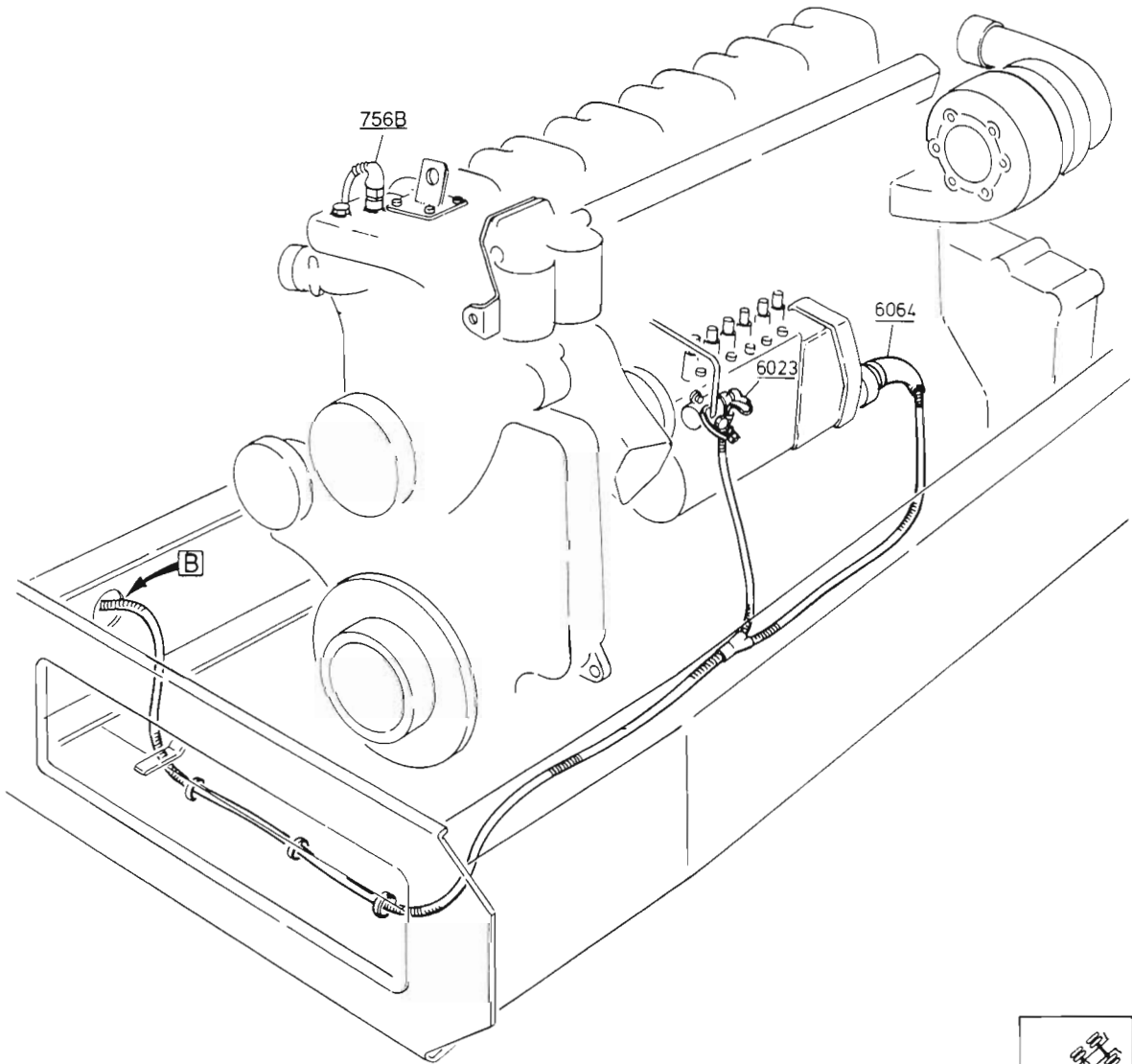
1407 EDC



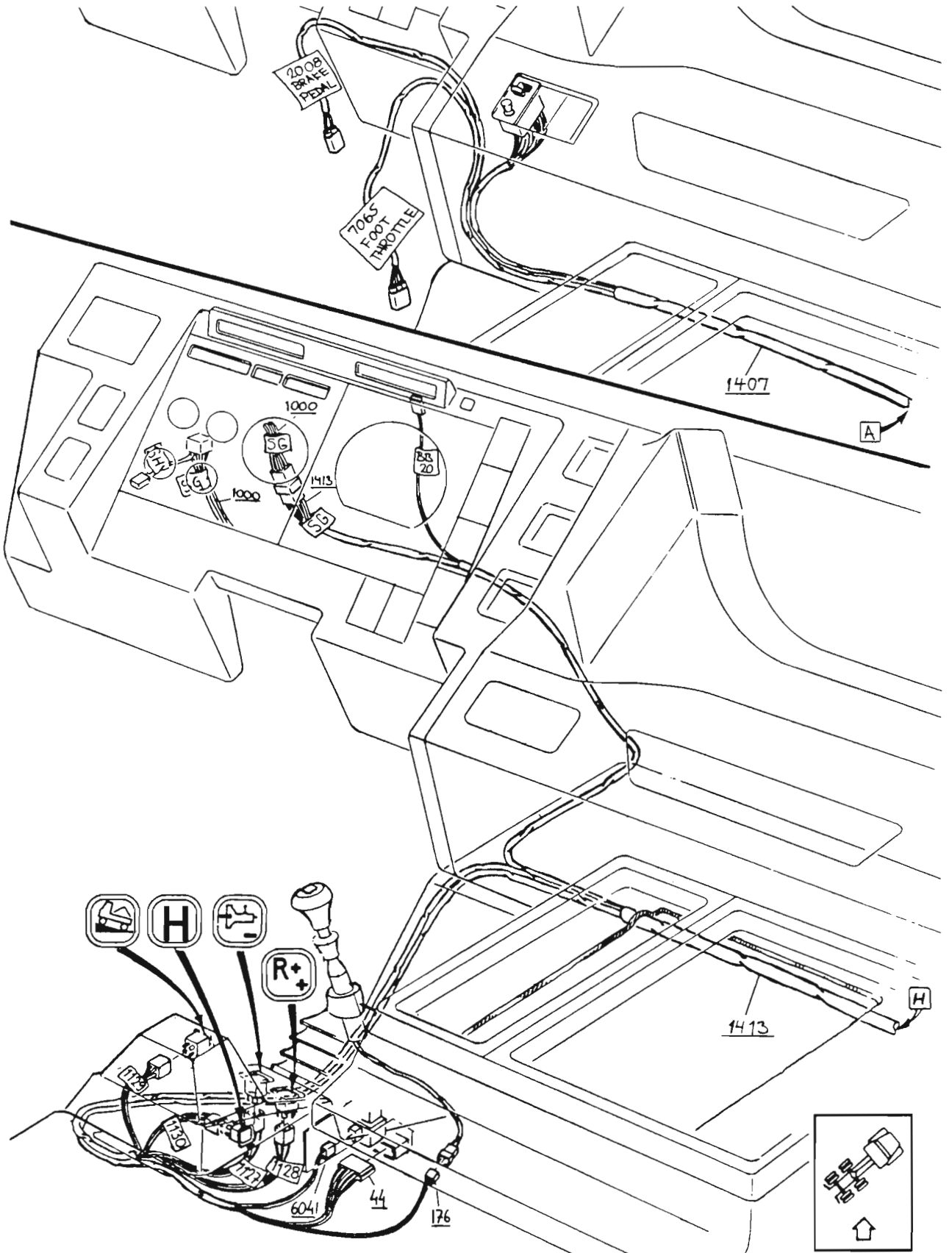
1408 EDC



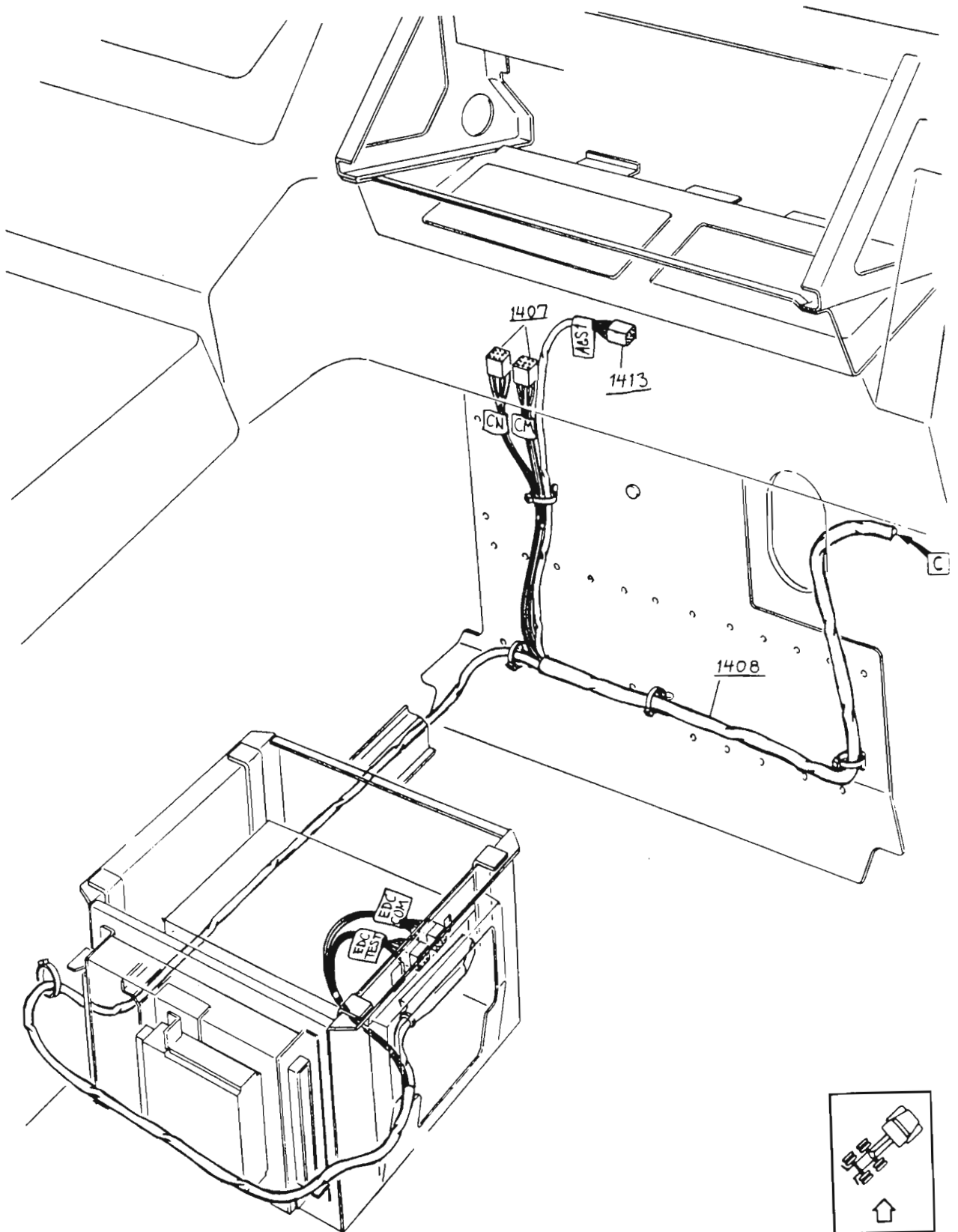
1408



1407, 1413

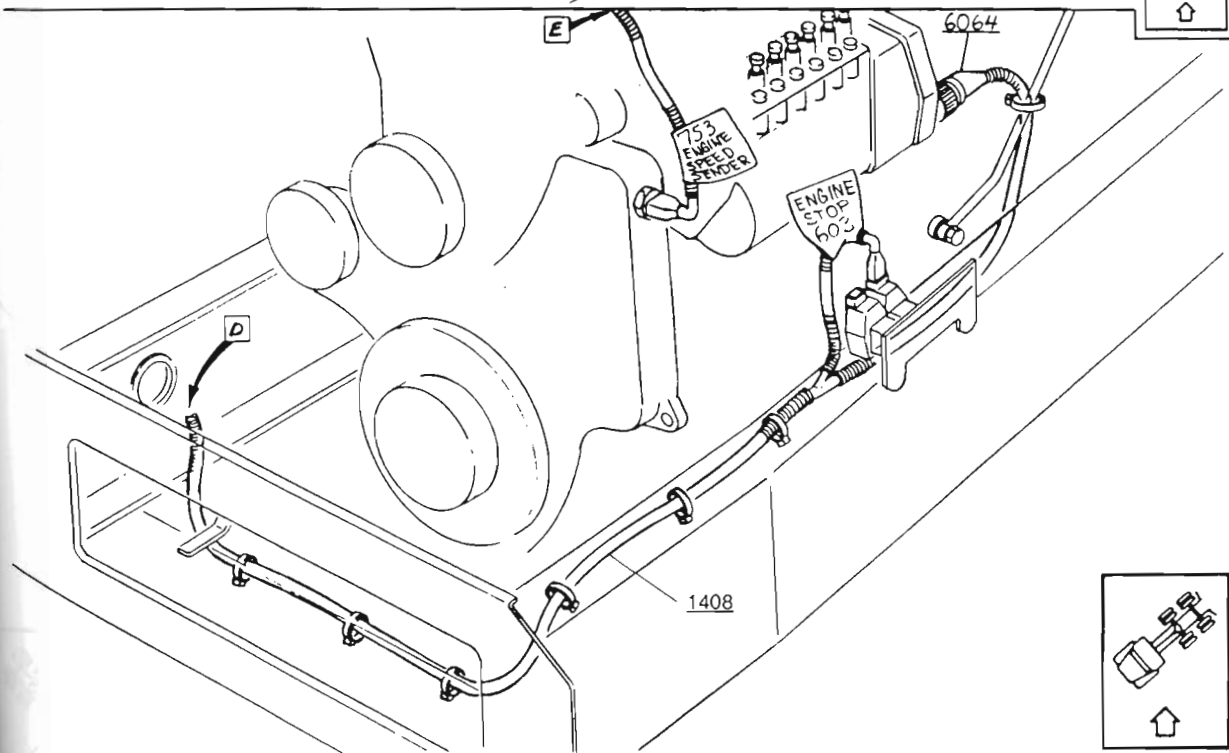
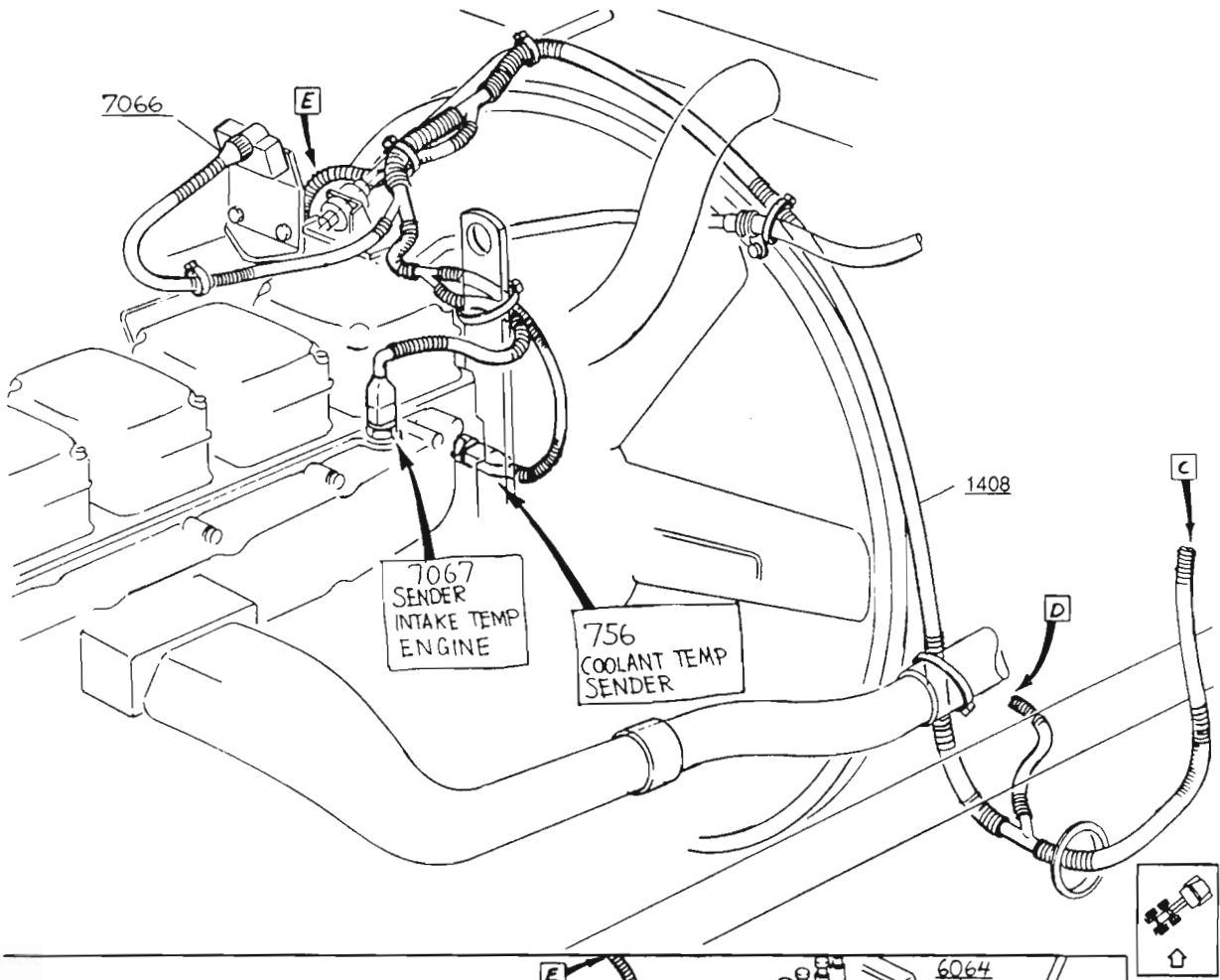


1407, 1408, 1413



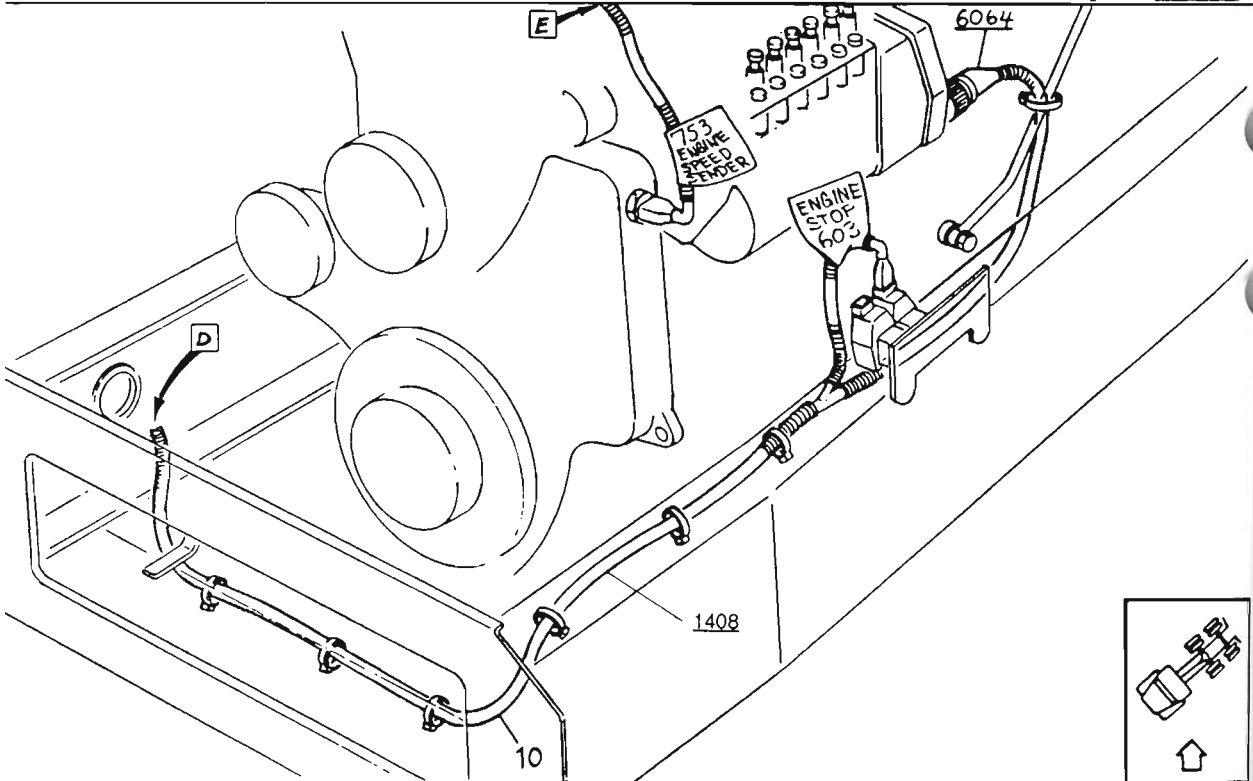
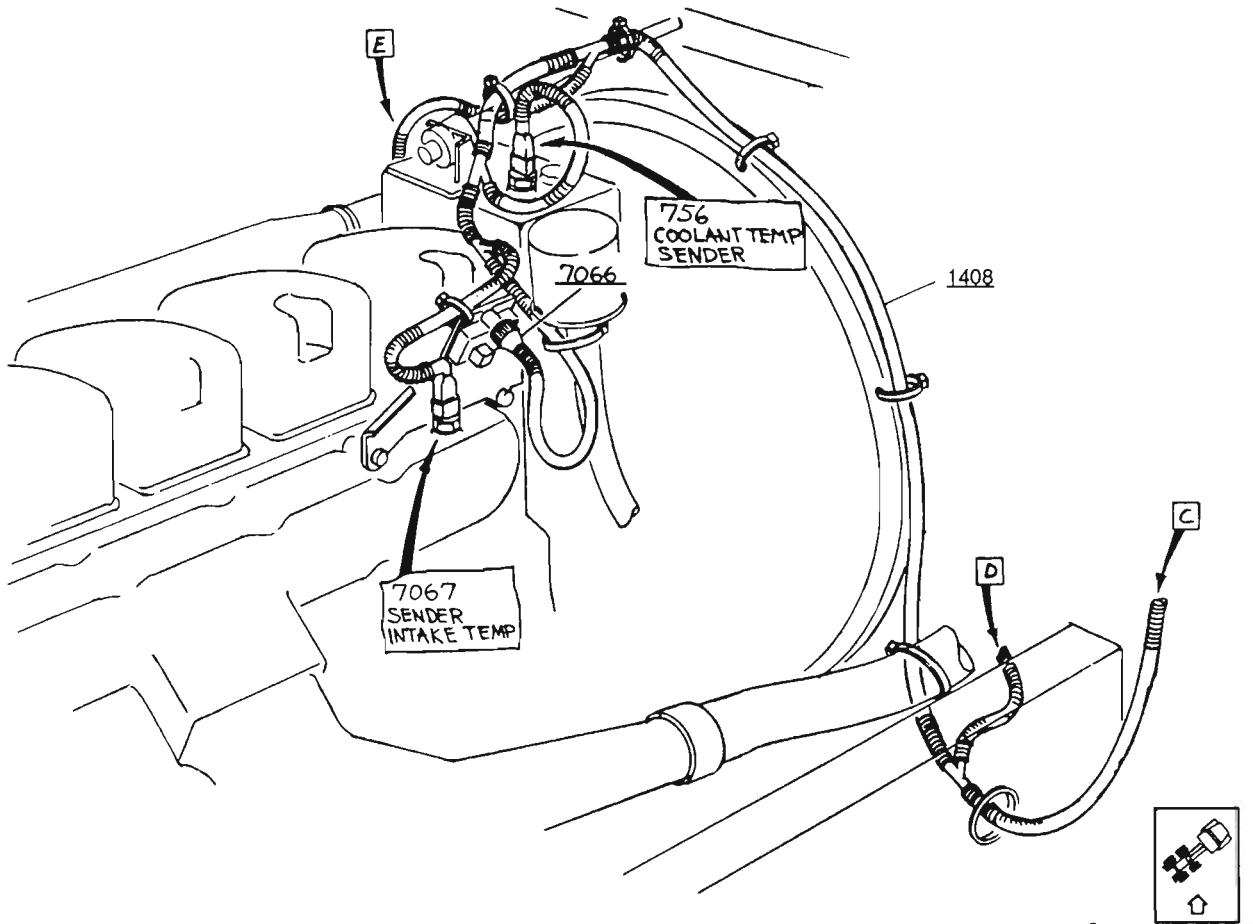
1408

F10

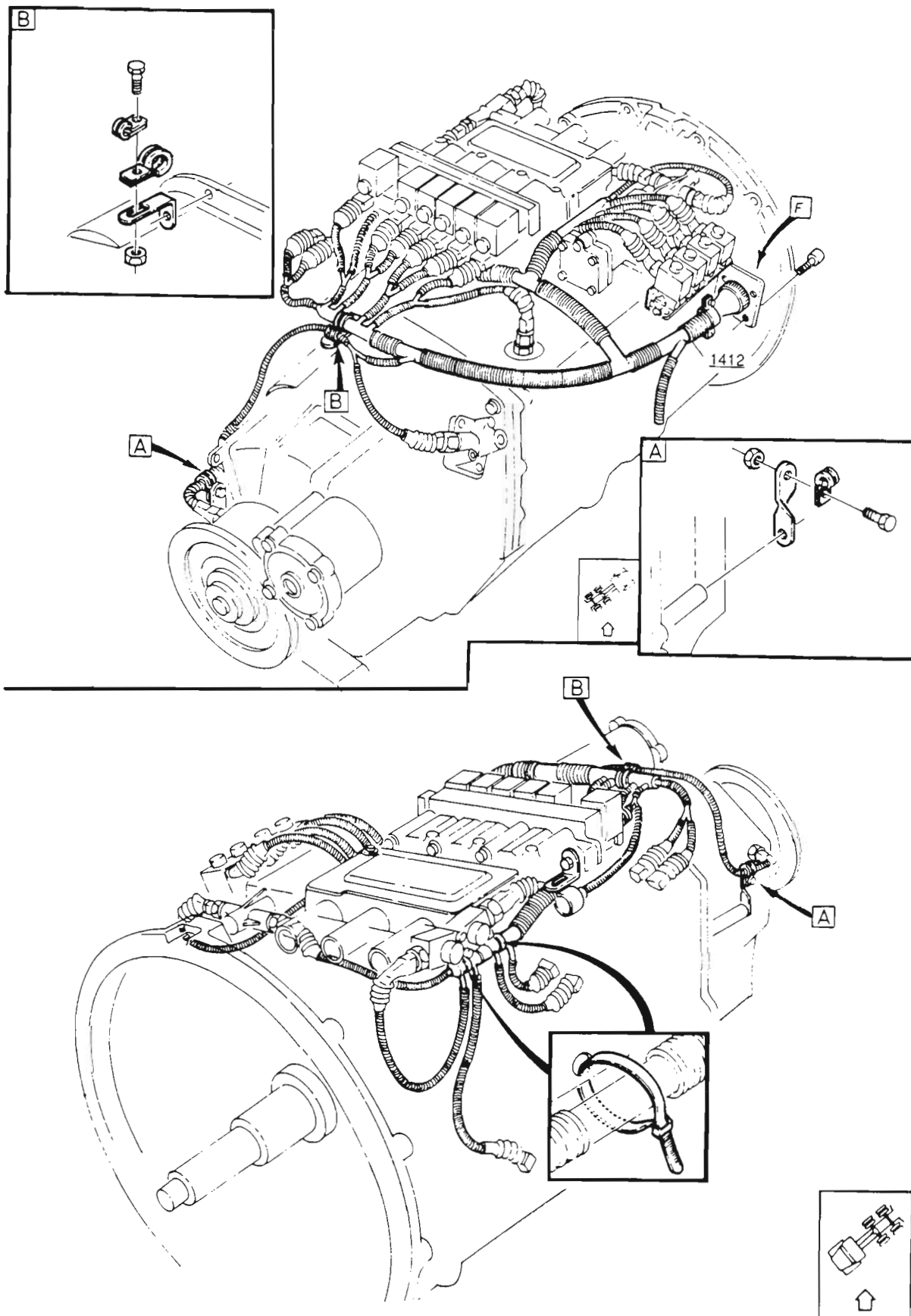


1408

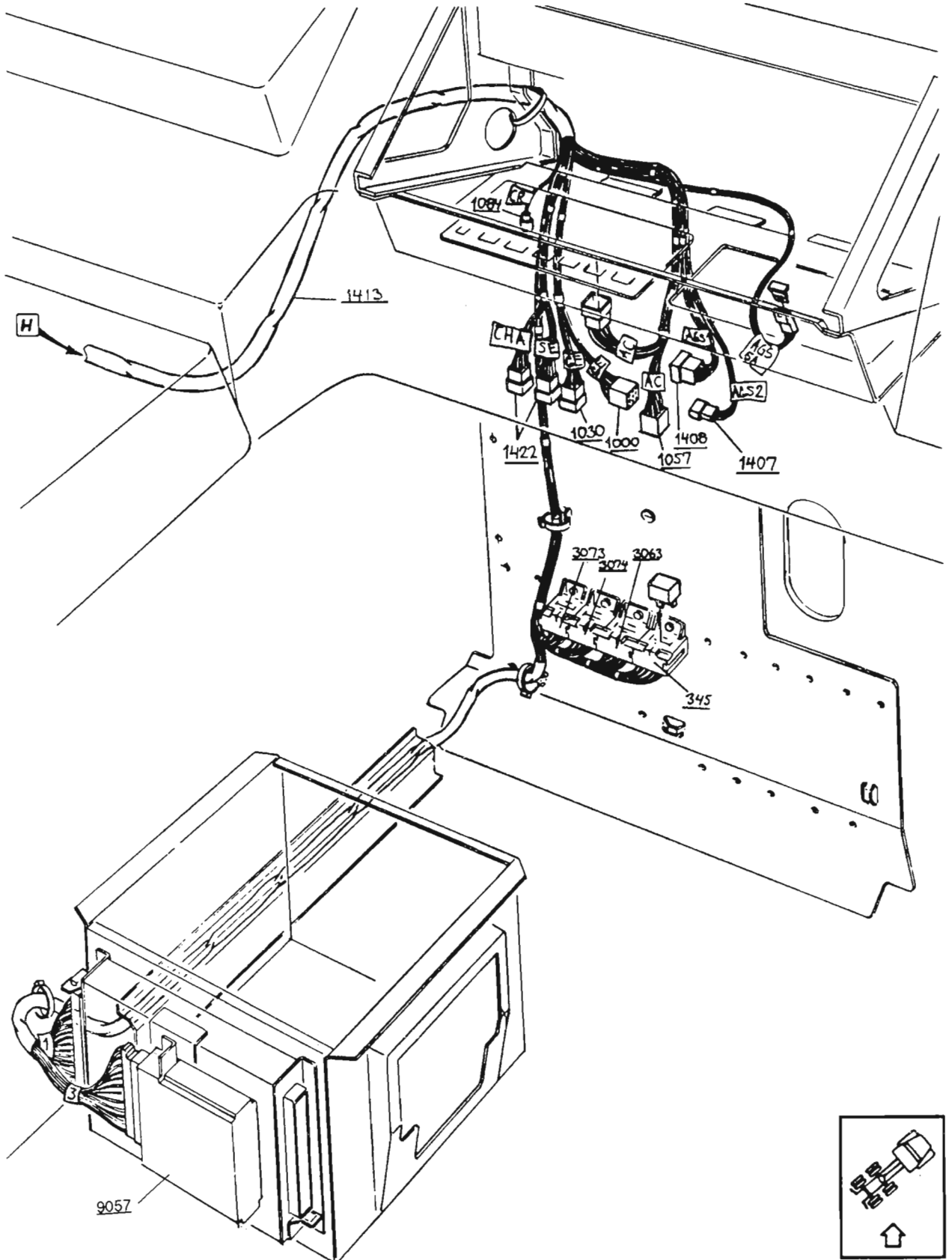
F12



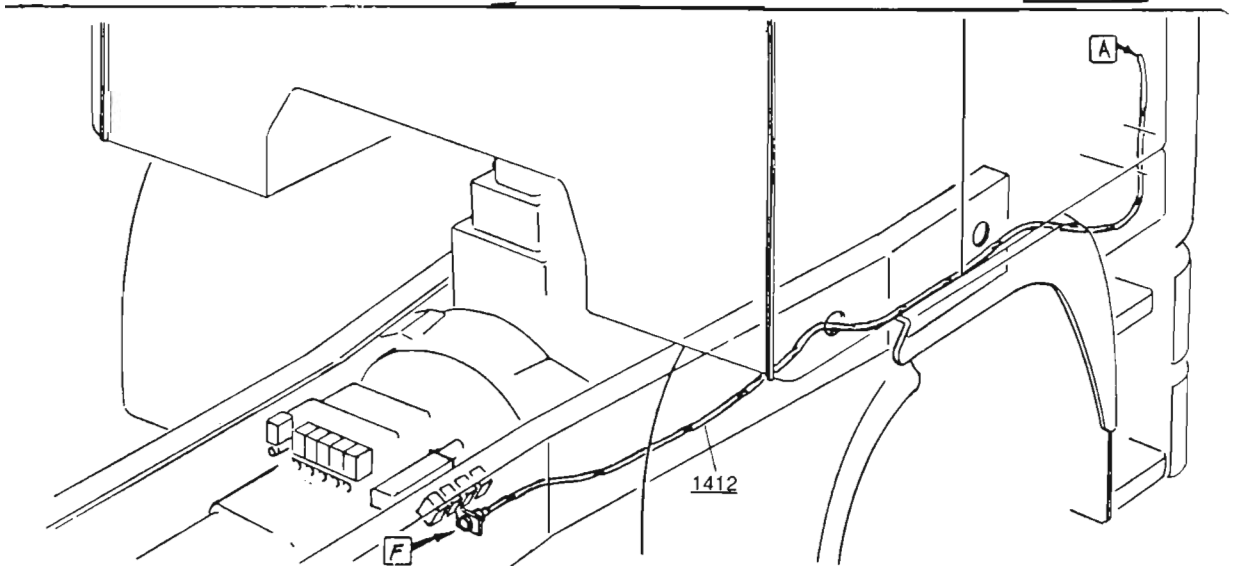
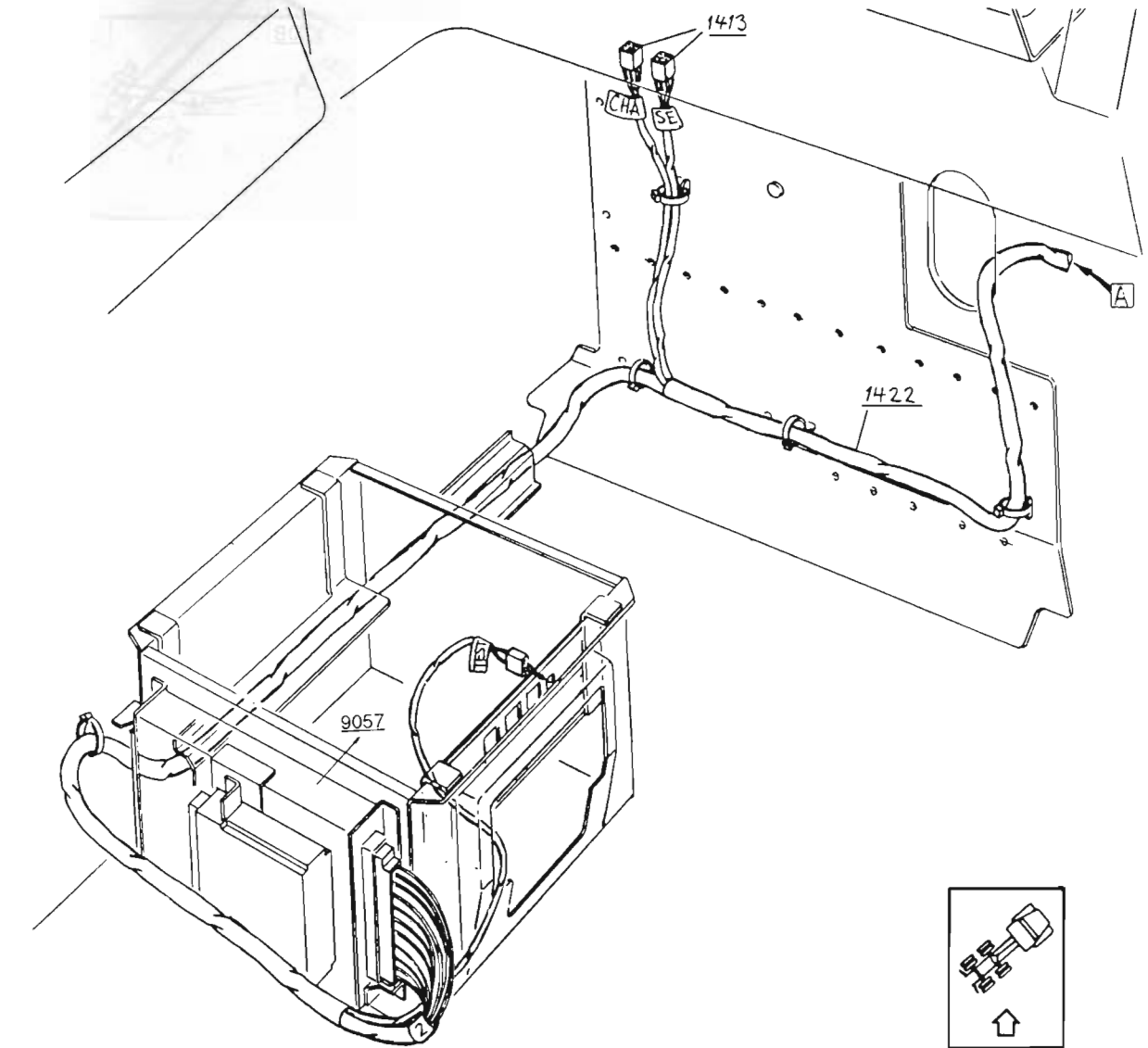
1412



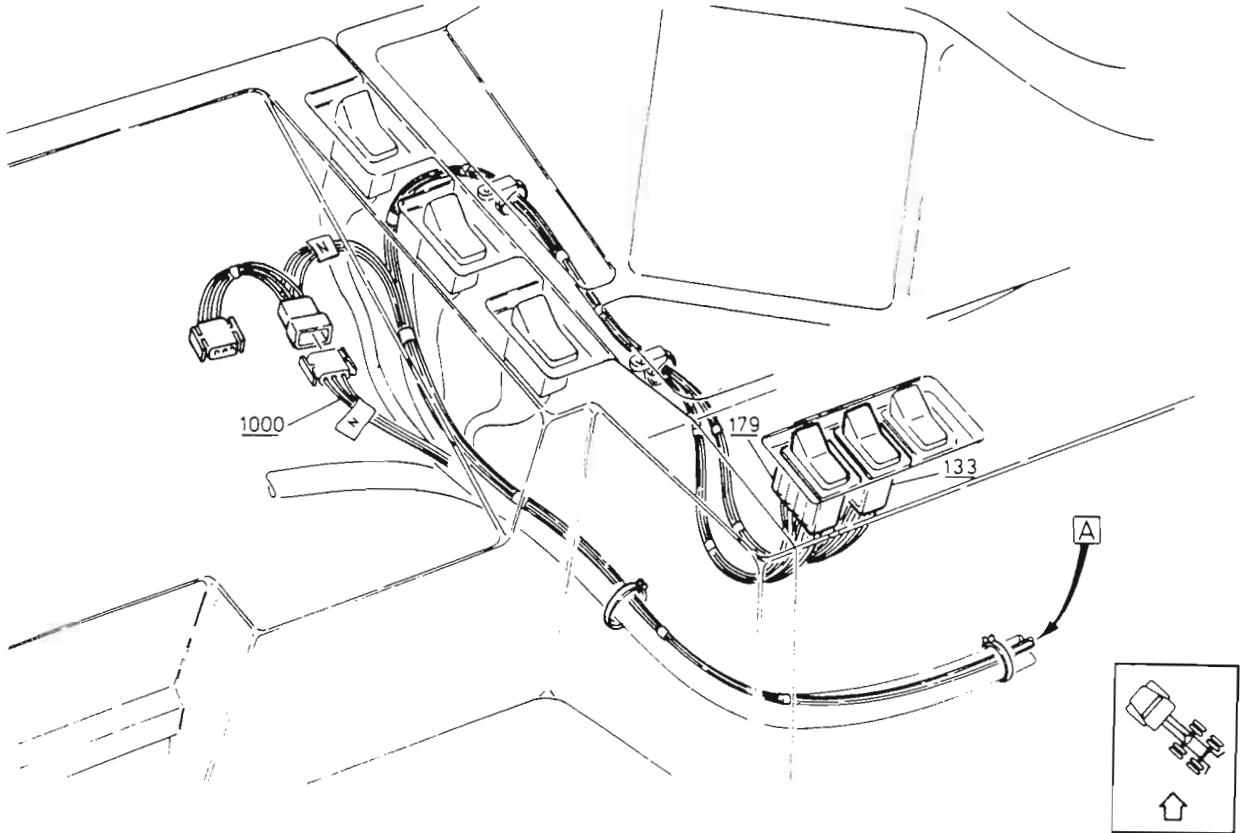
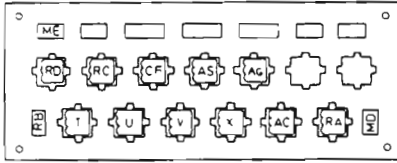
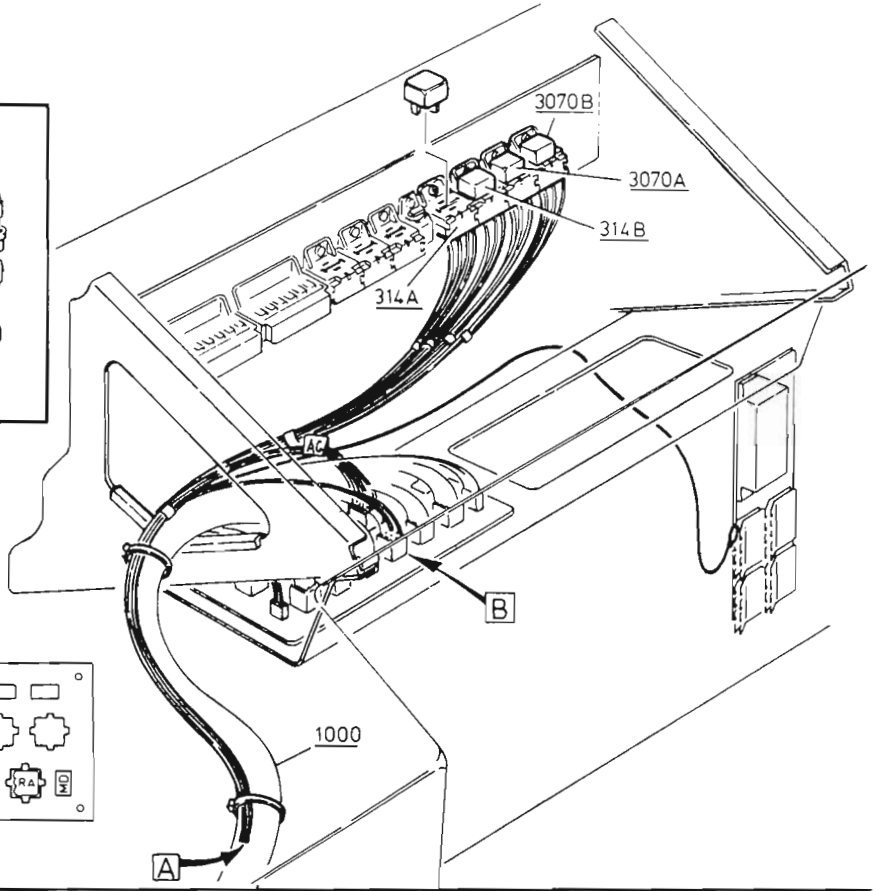
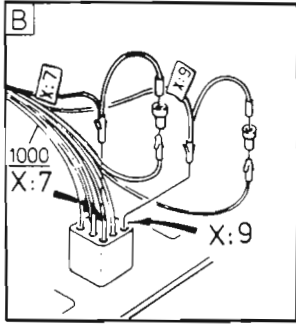
1407, 1408, 1413, 1422



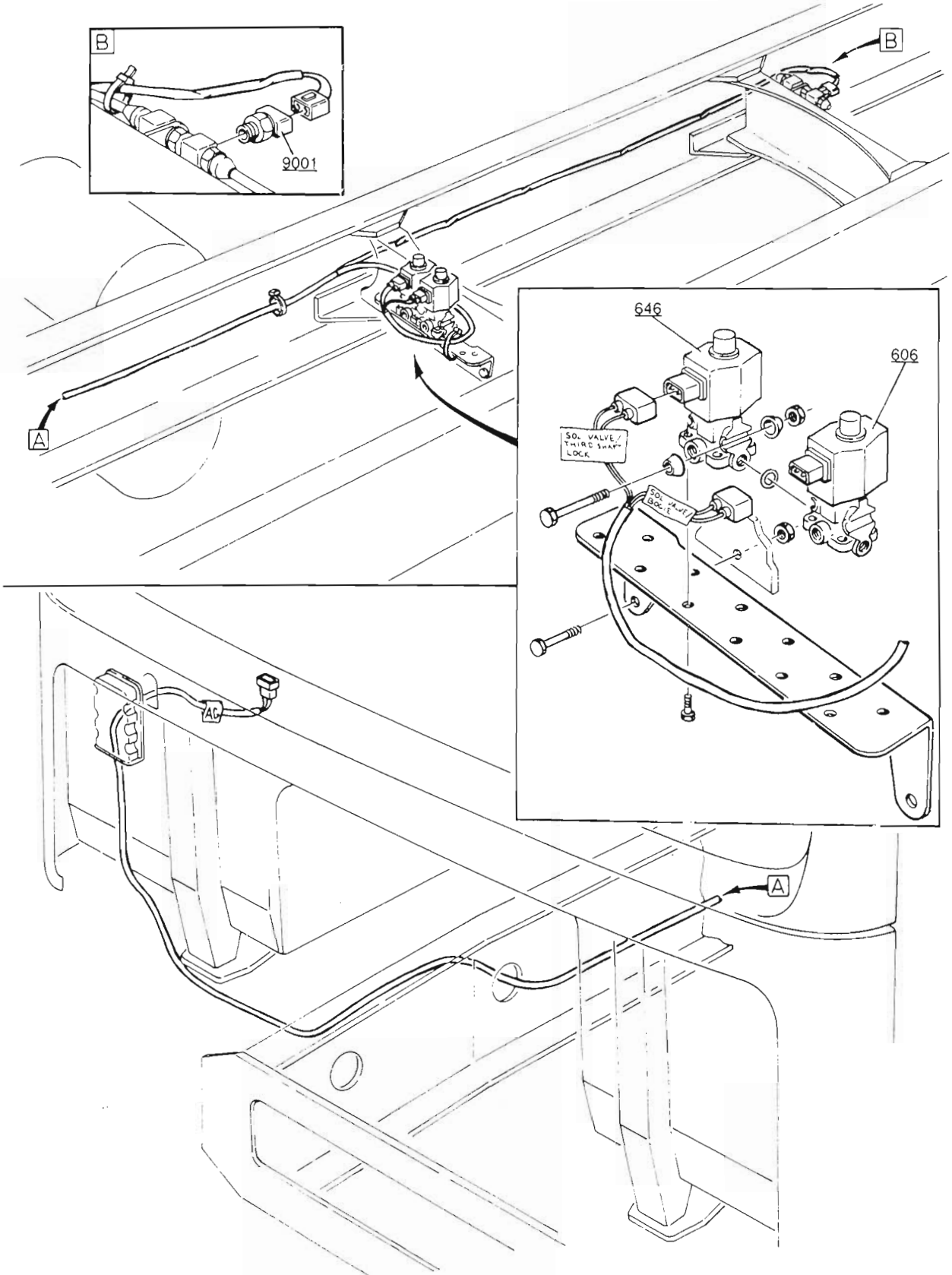
1412, 1413, 1422



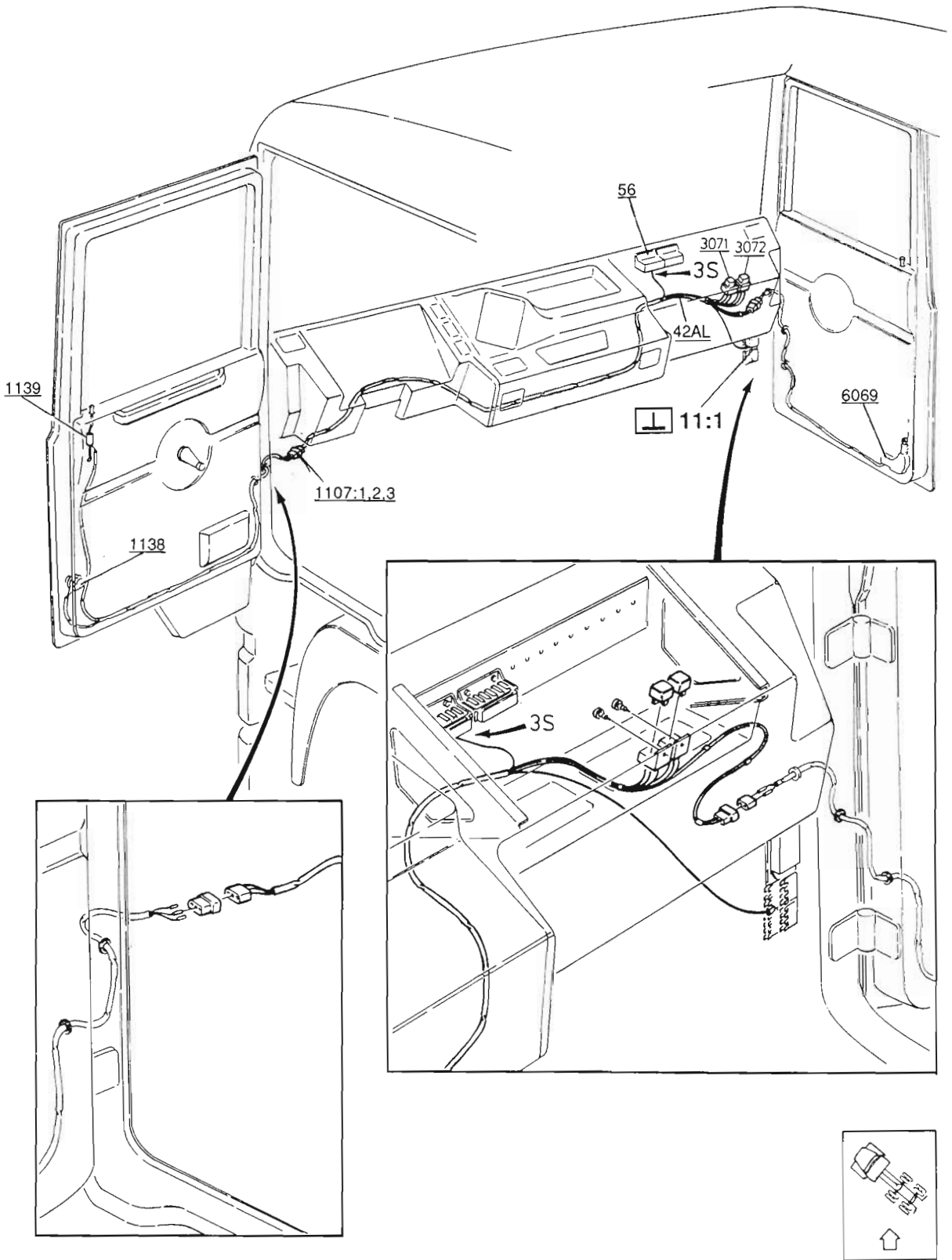
1433A

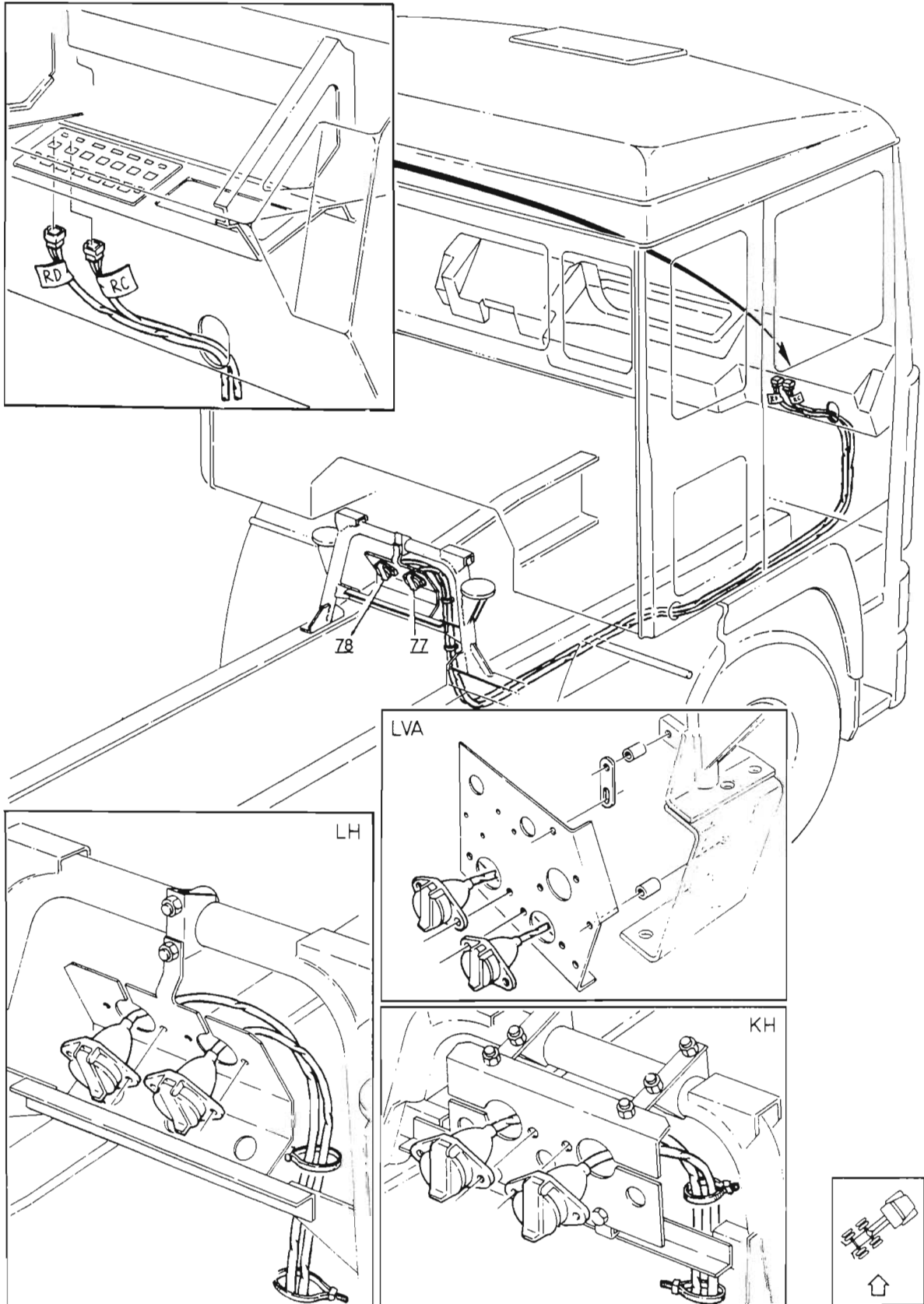


1433B



1438





CABLE HARNESSES

The illustration shows the various cable harnesses and how they are connected to each other. It also shows roughly where the connectors are placed.

Note that connectors marked with X plus another letter (e.g. XA, XB) are not provided with this marking in the vehicle.

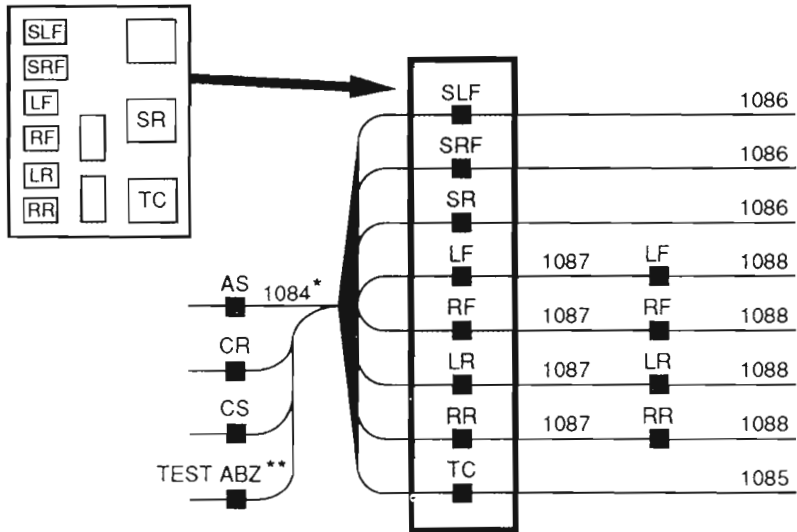
Marking occurs only on a wiring diagram in order to differentiate these connectors from each other.

28	Test connector	112
32	Circuit card, electrical centre	54
33	Circuit card, indicator/warning lights	53
56	Fuse holder 6-unit	
401	Bulb, fog lights	75
402	Bulb, spot lights	75
657	Fan (heater)	78
661	Window winder motor	60
700	Speedometer	53
701	Tachograph	53
702	Combined instrument	53, 80
710	Timer, engine/cab heater	78, 79
754	Pressure sender air	85, 90, 95
807	Eddy-retarder control	107
853	Summer	54
1000	Cable harness, instruments	53
1006	Cable harness, cab, upper	55
1007	Cable harness, cab, lower	57
1008	Cable harness, reading light	58
1009	Cable harness, electric window winder	60
1015	Cable harness, fan (heater)	78
1017	Cable harness, engine/cab heater	78
1019	Cable harness, windscreen wiper motor	54
1023	Cable harness, horn	61
1028	Cable harness, fresh water pump	
1030	Cable harness, engine	62
1035	Cable harness, diff.lock	66
1036	Cable harness, trailing wheel operation	
1037	Cable harness, bogie lift	68, 71
1040	Cable harness, frame	
1046	Cable harness, closing contact, climate system (air conditioning)	61
1049	Cable harness, seat belt	57
1051	Cable harness, interior light	72
1055	Cable harness, operation, engine and cab heater	79

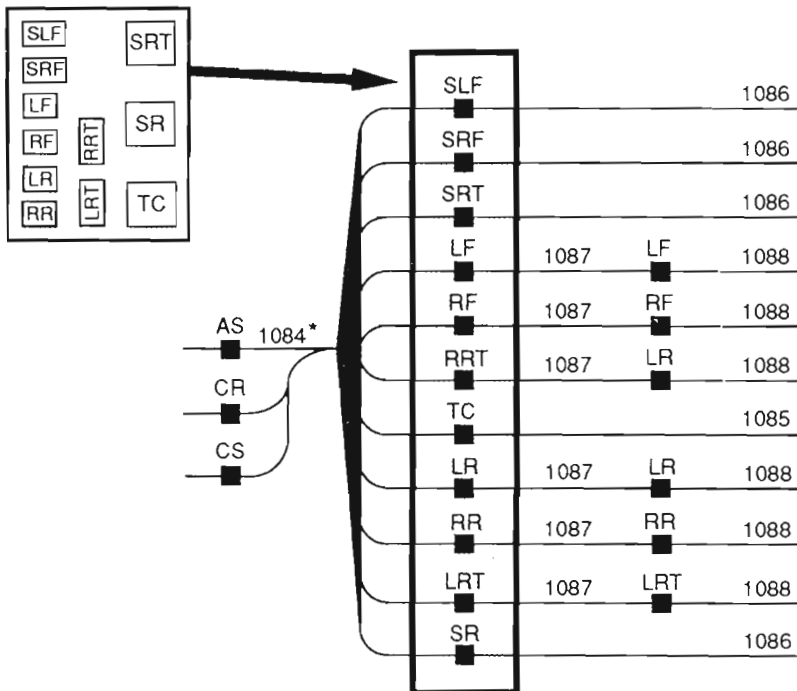
CABLE HARNESSSES

1056	Cable harness, air dryer	73
1057	Cable harness, chassis	74
1059	Cable harness, switch extra	
1061	Cable harness, parking heater, cab	78
1062	Cable harness, parking heater, frame	76
1063	Cable harness, trailer connection	125
1064	Cable harness, market adaptation	
1069	Cable harness, driver information	80
1070	Cable harness, engine stop	82
1071	Cable harness, sender axle-load	70, 71
1072	Cable harness, air pressure, air tank	85, 90, 95
1072A	Cable harness, air suspension	83, 88, 93
1072B	Cable harness, 6x2, axle load 15 tonnes	94
1072C	Cable harness, 6x2, axle load less than 15 tonnes	89
1072D	Cable harness, frame section	85, 90, 95
1072E	Cable harness, air suspension	90, 95
1072G	Cable harness, air suspension	85, 90, 95
1072K	Cable harness, control box, air suspension	84, 89, 94
1074	Cable harness, hydraulic bogie lift with axle load limiter	68, 71
1075	Cable harness, speed limiter, cab	98
1076	Cable harness, speed limiter, engine	98
1084	Cable harness, cab, ABS	100, 102
1085	Cable harness, trailer connection, ABS	100
1086	Cable harness, solenoid valve, ABS	103
1087	Cable harness, sender, chassis, ABS	103
1088	Cable harness, sender, ABS	103
1096	Cable harness, increasing of drive axle pressure "airdump"	
1138	Switch, door lock – key	124
1139	Switch, door lock – sill button	124
1403	Cable harness, retarder	107, 109
1407	Cable harness, EDC/cab	111, 115, 120
1408	Cable harness, EDC/engine	112, 115, 117, 120
1409	Cable harness, retarder-cab	107, 109
1412	Cable harness, Geartronic/gearbox	119, 121
1413	Cable harness, Geartronic/cab	115, 120, 121
1418	Cable harness, speed indicator – instrument	
1419	Cable harness, speed indicator – cab, upper	
1420	Cable harness, speed indicator – roof lamps	
1422	Cable harness, Geartronic – chassis	120, 121
1430	Cable harness, adapter – without tachograph	
1432	Cable harness, gearbox	62
1433A	Cable harness, bogie lift – lock, rear steer axle	122
1433B	Cable harness, bogie lift – lock, rear steer axle	123
1438	Cable harness, central lock, door	124
1439	Cable harness, external thermometer	
1440	Cable harness, el.operated rearview mirror	
1450	Cable harness, relay-parking heater/AC manual	77
4063	Bulb, speed indicator	
6069	Motor, door lock	124
7053	Inductive sender, bogie lift	87, 92, 97
9009	Control box, air suspension, rigids	84, 89, 94
9010	Control box, air suspension, tractors	84, 89, 94

ABS 4



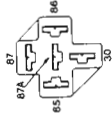
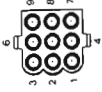
ABS 6



FUSES

1-unit fuse holder (51)

- 51 10A (BB15)
- 51 5A (BG3)
- 51 15A (BN37)
- 51 5A (BNS1)
- 51 5A (LE3)
- 51 5A (OD53,OD8)
- 51 10A (OD17)
- 51 5A (OG8)
- 51 5A (OD32)
- 51 15A (BB37)
- 51 5A (BO56)
- 51 5A (LO69)



6-unit fuse holder (56)

- 56 1" (XA3)
- 56 2" (XA6)
- 56 3" (XA8)
- 56 4" (XA11)
- 56 5" (XA13)
- 56 6" (XA16)
- 56 B 1" (OA2,OB2)
- 56 B 2" (OA5,OB5)
- 56 B 3" (OA8,OB8)
- 56 B 4" (OA11,OB11)
- 56 B 5" (OA14,OB14)
- 56 B 6" (XA19)

- 56 C 1" (XB1)
- 56 C 2" (XB5)
- 56 C 3" (XB8)
- 56 C 4" (XB12)
- 56 C 5" (XB15)
- 56 C 6" (XB19)

FUSES ON CIRCUIT CARD (32) IN ELECTRICAL CENTRE

62A	Cigarette lighter, Interior lighting,	(EV3)	315B (+15), Indicator and warning lamps (circuit card 33, BB)	Speedometer, Tachograph,	(BB19)
62B	Horn, Hazard warning lights, Driver Information System	(FA69)	Starting heater, Combination relay	(BB8)	
62C	Identification light front, Extra direction indicators	(CE26)	Headlamp wipers, Headlamp washers	(CE53)	
62D	Loading lights, Fifth wheel light, Reversing light, Spotlight, Socket, 7-unit extra (pin 3)	(ED8)	Fog lights, rear	(EG12)	
62E	Heated seat, Heated rearview mirror, Heated air dryer, 56C "5"	(HG14)	Fog lights, front	(CG5)	
62F	62U, 62X, Dim-dip	(CE34)	Left full beam, Dim-dip	(CE56)	
62G	Brake lights, Socket 7-unit (pin 4), Electro-magnetic brake	(CK8)	Right full beam	(CE59)	
62H	Seat belt latch, N2 (+15): Speed indicator lamps, Bogie lift, Window winder, 3rd axle lock	(XD15)	Right dipped beam, Level control, headlamps	(CE51)	
62J	Windscreen washer, Windscreen wiper motor, Interval wiper, Climate unit	(GA3)	Left dipped beam, Dim-dip	(CE48)	
62K	Solenoid valve, horn, Power take-off, side, Hazard warning lights, Window winder	(BB11)	Position light, roof, front, Parking light, right, front, Side marking light, right, centre, Rear light, right, Side marking light, right, rear, Rear light, left, Switch, parking heater, Roof sign light, Jointing sleeve 42A, Socket, 7-unit (pin 2), Dim-dip	(CE5)	
62L	Combination relay, Fan motor, climate unit, Exhaust pressure governor, Range inhibitor,				

RELAYS ON CIRCUIT CARD (32) IN ELECTRICAL CENTRE

"1"	Relay, day running lights	(BB43)
"2"	Relay, brake lights	(CE31)
"3"	Relay, reversing lights	(CK7)
"4"	Relay, loading lights	(EA4)
"5"	Relay, fog lights, rear	(ED4)
"6"	Relay, fog lights	(EG6)
"7"	Relay, extra direction indicator, left	(CN8)
"8"	Relay, starting switch	(AA27)
"9"	Alternator-controlled relay	(CE42)
"10"	Relay, identification lights	(CE23)
"11"	Relay, spot lights	(CE61)
"12"	Relay, full beams	(CE57)
"13"	Relay, dipped beams	(CE53)
"14"	Relay, parking lights	(CE3)
"15"	Relay, extra direction indicator, right	(CN18)
"16"		

CONNECTORS

AA.18	(ND21)	RD4	(XA8)	SRT5	(OB60)
AA.21	(ND12)	RD6	(OA12,OB12)	SRT6	(OB61)
AS1	(CK9)	RF1	(OA41,OA41,OB38,OB38)	TC2	(OA14,OB14)
AS2	(XA19)	RF2	(OA43,OA43,OB39,OB39)	TC3	(OA4,OB4)
AS3	(ND48)	RG1	(OG31)	TC5	(OA12,OB12)
AS4	(ND50)	RG2	(OG31)	TEST ABZ.4	(OA3)
AS5	(CK14)	RG3	(OG32)	TEST ABZ.5	(OA50)
AS6	(ND51,ND55)	RG4	(OG33)	TEST ABZ.6	(OA10)
C2	(AA30)	RG5	(OG34)	TEST ABZ.7	(OA46)
C5	(CK7)	RG6	(OG35)	TEST ABZ.9	(OA42)
C6	(CK8,OD26, OD28)	RG7	(OG22)	TG3	(OD33)
C8	(CK3)	RG8	(OG39)	TG4	(OD17)
CF4	(CK3)	RG9	(OG8)	TG5	(OD19)
CF5	(CK3)	RG10	(OG11)	TG6	(OD20)
CR	(OA60,OB64)	RR1	(OA57,OA57,OB48,OB48)	TG7	(OD21)
CS1	(OA24,OB24)	RR2	(OA59,OA59,OB49,OB49)	TG8	(OD22)
CS2	(OA65,OB62)	RRT1	(OB58,OB58)	TH1	(OD18)
D9	(AA25)	RRT2	(OB59,OB59)	TH2	(OD22)
GE1	(AA19)	SLF1	(OA39,OB36)	TH3	(OD21)
GE2	(AA15)	SLF2	(OA37,OB35)	TH4	(OD20)
GE7	(AA13)	SLF3	(OA39,OB36)	TH5	(OD19)
LF1	(OA33,OA33,OB33,OB33)	SR1	(OA54,OB46)	U2	(AA24)
LF2	(OA35,OA35,OB34,OB34)	SR2	(OA53,OB45)	U6	(ND43)
LR1	(OA49,OA49,OB43,OB43)	SR3	(OA55,OB46)	VR1	(OG8)
LR2	(OA51,OA51,OB44,OB44)	SR4	(OA62,OB51)	VR2	(OG11,OD11)
LRT1	(OB53,OB53)	SR5	(OA61,OB50)	VR4	(OG17)
LRT2	(OB54,OB54)	SR6	(OA63,OB51)	VR9	(OG20,OD15)
RA4	(CK9)	SRF1	(OA46,OB41)	X4	(ND14)
RC4	(CK14)	SRF2	(OA45,OB40)	X6	(AA6)
RD1	(XA16)	SRF3	(OA47,OB41)	Z2	(ND23)
RD2	(ND58,ND60)	SRT1	(OB56)		
		SRT2	(OB55)		
		SRT3	(OB56)		
		SRT4	(OB61)		

FUSES

1-unit fuse holder

51 5A (OD8)
51 10A (OD17)
51 5A (OD32)
51 5A (OG8)

6-unit fuse holder

56 "1" (XA3) 56 B "1" (OA2,OB2)
56 "2" (XA6) 56 B "2" (OA5,OB5)
56 "3" (XA8) 56 B "3" (OA8,OB8)
56 "4" (XA11) 56 B "5" (OA11,OB11)
56 "5" (XA13) 56 B "6" (OA14,OB14)
56 "6" (XA16)

Fuses on circuit card (32) in electrical centre

62G Brake lights, Socket 7-unit (pin 4).
Electro-magnetic brake..... CK8

Relays on circuit card (32) in electrical centre

308 "3" Relay, brake lights (CK7)
315A "9" Relay, starting switch (AA27)

CONNECTORS

- 24	(BN54)	B4	(CE46)	CF1	(FA6)	F1	(GA3)	J4	(CE48)	N1	(MD9,MD2)	RR1	(OA57)	U1	(BB5)
702A.12	(NA19)	B5	(CE31)	CF2	(FA6)	F2	(GA14)	J5	(CG5)	N2	(MD14,MD6)	RR2	(OA59)	U2	(AA24)
702A.13	(NA20)	B6	(CE35)	CF3	(BB28)	F3	(FA6)	J6	(CE51)	N3	(MD13,MD4)	SG1	(NA39)	U3	(BB8)
702B.9	(NA53)	B7	(CE47)	CF4	(CK3)	F4	(BB11)	J7	(CE56)	N1	(MG8)	SG2	(NA33)	U6	(ND43)
702B.10	(NA55)	B8	(CE45)	CF5	(CK3)	F5	(BB12)	J8	(CG8)	N2	(MG6)	SG3	(NA35)	U7	(NK30)
		B9	(CE22)	CF9	(BB30)	F6	(XD14)	J9	(CE59)	N3	(MG9)	SG5	(NA15)	U8	(BB30)
		BC	(NG40)	CJ1	(MA17,MD23)	F7	(BB18)	L1	(CE20)	N1	(MK8)	SG8	(NA14)	V1	(LD5,LE15)
1107.1	(KH10)	CJ3	(MA4,MD5)	CJ3	(MA18,MD21)	F8	(BB19)	L2	(CE43)	N2	(MK6)	SH1	(NA39)	V2	(LE7,LG4)
1107.3	(KH19)	CJ4	(MA19,MD34)	CJ4	(MA9,MD14)	F9	(XD15)	L3	(EN3)	N3	(MK12)	SH2	(NA33)	V3	(BB26)
A1	(CE43)	CG1	(MA17,MD31)	CJ7	(MA26,MD38)	FA1	(NK22)	L4	(JA6)	N1	(MP15)	SL1	(NA33)	V4	(CN2)
A2	(CE45)	CG2	(MA5,MD6)	CM1	(BN47)	FA2	(NK24)	L5	(GA32)	N1	(MP17)	SL2	(BK4)	V5	(PA3)
A3	(CE46)	CG3	(MN11,MN11)	CM2	(BN39)	FA3	(NK9)	L6	(EV4)	N3	(MP17)	SL3	(BK5)	V6	(BB12)
A4	(EA4)	CG4	(MN11,MN11)	CM3	(BN19)	FA4	(NK30)	L7	(GA3)	N1	(MS30)	SL4	(BK7)	V7	(NK36)
A5	(CE47)	CG5	(MN16)	CM4	(BN20)	FA5	(NK12)	L8	(CE24)	N1	(MS32)	SL5	(BK8)	V8	(BB11)
A6	(EG2)	CG6	(MN11,MN11)	CM5	(BN18)	FA6	(NK13)	L9	(HG14)	N3	(MV7,MV14)	S1F1	(BK10)	V9	(LG8)
A7	(CE48)	CG7	(MN11,MN11)	CM6	(BN26)	FA7	(NK36)	LF1	(OA33)	N1	(MV8,MV15)	S1F2	(OA39)	VR1	(OG8)
A8	(CE33)	CG8	(MN16)	CM7	(BN24)	FA8	(NK16)	LF2	(OA35)	N2	(MV10,MV17)	S1F3	(NA39)	VR2	(OG11)
A9	(CE7)	CG8	(MN11,MN16)	CM8	(BN23)	FA9	(NK44)	LR1	(OA49)	N3	(XD8)	S1F3	(OA39)	VR3	(OG17)
AA.18	(ND21)	CG9	(MN11,MN16)	CN1	(BN27)	FB1	(NA51,NK18)	LR2	(OA51)	N1	(XD22)	SR1	(OA54)	VR9	(OG20)
AA.21	(ND12)	CG9	(MN11,MN11)	CN2	(BN31)	FB2	(NK43)	M1	(GA10)	N2	(XD34)	SR2	(OA53)	X1	(NA8)
AB1	(HA42)	CG9	(MN16)	CN3	(BN25)	FB3	(NK40)	M2	(GA13)	N3	(XG17)	SR3	(OA55)	X4	(ND14)
AB2	(HA42)	CG9	(MN11,MN11)	CN4	(BN28)	FB4	(NK33)	M3	(GA9)	O1	(LG16)	SR4	(OA62)	X6	(AA6)
AB3	(HA42)	CG9	(MN16)	CN5	(BN45)	FB5	(NK28)	M4	(GA12)	O2	(CE7)	SR5	(OA61)	X7	(EA4,LJ28, LJ30)
AC1	(NA26)	CG9	(MN20)	CN6	(BN49)	FB6	(NK19)	M5	(GA11)	RA1	(CE7)	SR6	(OA63)	X9	(BB30,LJ38, LJ40)
AC2	(FA3)	CG9	(MN21)	CN7	(BN50)	FB7	(NK27)	M6	(GA13)	RA2	(CE7)	SRF1	(OA46)	XA1	(HA31)
AC3	(GA28)	CG9	(MN22)	CO1	(MA24,MD2)	FB8	(NK21)	MD1	(BG3)	RA3	(CE7)	SRF2	(OA45)	XA2	(HA33)
AC4	(BB26)	CG9	(MN39)	CO3	(MA26,MD28)	FB9	(NK35)	MD2	(BK11)	RA4	(CN6)	SRF3	(OA47)	XA3	(HA33)
AC5	(FA3)	CG9	(MN19)	CO4	(MA12,MD24)	FC1	(NK15)	MD1	(LE3,LE7)	RA5	(CN9)	SRF3	(OA47)	XA4	(HA40)
AC6	(CE13)	CG9	(MN39)	CO5	(MA14,MD26)	FC2	(NK15)	MD2	(LE4,LE6)	RA6	(CN15)	T1	(CE59)	XB1	(HA3)
AC7	(BB11)	CG9	(MN15)	CO6	(MA18,MD33)	FD	(NK37)	MD1	(XF3)	RA7	(CE51)	T2	(CE51)	XB2	(HA3)
AC8	(PA2)	CG9	(MN14)	CO7	(MA18,MD21)	FE	(NK38)	MD2	(XF7)	RA8	(CE48)	T3	(CE56)	XB3	(HA3)
AC9	(NK37)	CG9	(MN25)	CR	(OA60)	G2	(ED4)	ME1	(HG28)	RB1	(NG36)	T4	(CE37)	XB4	(HA3)
AD1	(HA26)	CG9	(MN24)	CS1	(OA24)	G3	(BB42,CN10)	ME2	(HG31)	RB2	(NG36)	T5	(CG5)	XC1	(CG4,HG8)
AD2	(HA26)	CG9	(MN24)	CS2	(OA65)	G4	(ED8)	MG1	(NG23)	RC1	(CE4)	T6	(CN12)	XC2	(CE62,HG5)
AD3	(HA26)	CG9	(MN31)	D1	(EG6)	G5	(ED8)	MG2	(NG25)	RC2	(CE5)	T7	(GA27)	XC3	(CG4,CE62, HG5)
AE1	(HA31)	CG9	(MN31)	D2	(EG4)	G6	(CE56)	MG3	(NG24)	RC3	(CN4)	T8	(CE64)	XD1	(CG8,HG5)
AE2	(HA33)	CG9	(MN19)	D3	(BB44)	G7	(BB5)	MG4	(NG27)	RC4	(CN14)	T9	(OA14)	XD2	(CG8,HG5)
AG1	(LJ14,MG4, MK4)	CG9	(MN20)	D4	(EA9)	G8	(BB8)	N1	(ET24,ET29)	RC5	(CN14)	TC2	(OA12)	XD3	(CG8,CE64)
AG2	(LJ11,MG6, MK9)	CG9	(MN19)	D5	(EA4)	G9	(CE53)	N2	(ET25,ET30)	RC6	(NA21)	TC3	(BN3)	XE1	(ER12)
AG3	(LJ23,MG10, MK15)	CG9	(MP21,MS18)	D6	(BB43)	GE1	(AA19)	N3	(ET26,ET31)	RC7	(XA16)	TC5	(BN4)	XE2	(ER13)
AG4	(LJ4)	CG9	(MP20,MS17)	D7	(CE17)	GE2	(AA15)	N1	(KA24,KA32)	RC8	(EA9)	TC5	(BN6)	XE3	(ER12)
AG5	(LJ8)	CG9	(MP9,MS27)	D8	(CE19)	GE3	(BB15)	N2	(KA26,KA33)	RC9	(XAB)	TC5	(BN5)	XF1	(ER18)
AH1	(MD26,MK21)	CG9	(MP24,MS14)	D9	(AA25)	GE4	(BB16)	N3	(KA27,KA35)	RC9	(EG9)	TC5	(BN54)	XF2	(ER18)
AH2	(MD27,MK23)	CG9	(MP7,MS24)	E1	(CE62)	GE5	(BB17)	N1	(LC11,LC20)	RC6	(CN8)	TC5	(BN33)	XF2	(ER18)
AH3	(MD29,MK24)	CG9	(MP24,MS14)	E2	(EA6)	GE6	(HA3)	N2	(LC13,LC22)	RC6	(CE28)	TC5	(BN21)	XH1	(ER23,ET23)
A0	(NG43)	CG9	(MP20,MS17)	E3	(EV6)	GE7	(AA13)	N3	(LC14,LC23)	RF1	(NA21)	TC5	(BN21)	XH2	(ER23,ET23)
AS1	(CK9)	CG9	(MP21,MS18)	E4	(CE64)	H1	(CE53)	N1	(LE12,LE22)	RF2	(OA41)	TC5	(OD33)	XJ1	(KA29)
AS2	(XA19)	CG9	(MP20,MS17)	E5	(CE61)	H2	(CE51)	N2	(LE14,LE21)	RF2	(OA43)	TC5	(BN4)	XJ2	(KA23)
AS3	(ND48)	CG9	(MP9,MS27)	E6	(EV3)	H3	(CE57)	N3	(LE15,LE19)	RG1	(OG31)	TC5	(BN6)	XK1	(KA9)
AS4	(ND50)	CG9	(MP24,MS14)	E7	(HG28)	H4	(CE3)	N1	(LJ12,LJ21)	RG2	(OG31)	TC5	(BN6)	XK2	(KA7)
AS5	(CK14)	CG9	(MP24,MS14)	E8	(HG14)	H5	(CG3)	N2	(LJ14,LJ19)	RG3	(OG32)	TC5	(BN5)	Z1	(HG5)
AS6	(ND51)	CG9	(MP7,MS24)	E9	(FA9)	H6	(EG16)	N3	(MA8,MA2)	RG4	(OG33)	TC5	(BN33)	Z2	(ND23)
B1	(EA4)	CG9	(MP20,MS17)	E1	(AA6)	H7	(CN20)	N1	(MA10,MA3)	RG5	(OG34)	TC5	(BN21)	Z3	(ED5,ED8)
B2	(CE46)	CG9	(MP21,MS18)	E2	(BN29)	H8	(CN3)	N2	(ET18)	RG6	(OG35)	TC5	(OD22)		
B3	(CE29)	CG9	(MP21,MS17)	E3	(BN33)	H9	(CN8)	N3	(CE5)	RG7	(OG32)	TC5	(OD21)		
		CG9	(MP21,MS18)	E4	(BN28)	HD	(ET18)	N1	(CE28)	RG8	(OG39)	TC5	(OD20)		
		CG9	(MN13)	E5	(BN33)	J1	(CE5)	N2	(CN12)	RG9	(OG8)	TC5	(OD19)		
		CG9	(MN11)	E6	(BN27)	J2	(CE28)	N3				TC5			
		CG9	(MN11)	E7	(BN31)	J3	(CN12)								
		CG9	(MN11)	E8	(BN34)										

LIST OF COMPONENTS

28	Test connector (BN2)	147	Switch, direction indicators (CN3)	305	Relay, reversing lights (EA4)	3064 R	Relay, speed indicator lamps (LC36)
30 A	Battery (AA4)	149	Switch, horn (FA5)	306	Relay, full beams (CE57)	3066	Combination relay, several functions (BB19)
30 B	Battery (AA4)	150	Switch, starting switch (AA18)	307	Relay, dipped beams (CE53)	3070 A	Relay, lock, rear steer axle (LJ28)
33 AA	Circuit card, indicator/warning lights (ND5)	152	Switch, intermittent wipe (GA17)	308	Relay, brake lights (CK7,OG37)	3070 B	Relay, lock, rear steer axle (LJ36)
33 BB	Circuit card, indicator/warning lights (ND5)	157	Switch, air horn (FA10)	308 B	Relay, brake lights (OA4)	3071	Relay, central lock, open door (KH5)
34	Connector (AA13)	158	Switch, tail fog lights (EG16)	309	Relay, parking lights (CE3)	3072	Relay, central lock, lock door (KH14)
36 1	Connector, tail lamp junction box (CE7)	171	Switch, identification lights (CE21)	310	Relay, extra direction indicator, left (CN8)	3072	Relay, central lock, lock door (KH14)
36 2	Connector, tail lamp junction box (CN6)	172	Switch, extra (MV5)	311	Relay, extra direction indicator, right (CN18)	400 R	Bulb, full beams and dipped beams (CE49)
36 3	Connector, tail lamp junction box (CK9)	174	Switch, lock safety belt (KD12)	312	Relay, starting heater (BB8)	401 L	Bulb, fog lights (CG4)
36 4	Connector, tail lamp junction box (CK9)	179	Switch, lock, rear steer axle (LJ23)	313	Relay, starting heater (BB8)	401 L	Bulb, fog lights (CG8)
36 5	Connector, tail lamp junction box (CN15)	1101	Switch, parking heater (HA31)	314	Relay, bogie lift motor (MA26,MD38)	401 R	Bulb, spot lights (CE62)
36 6	Connector, tail lamp junction box (CE31)	1104	Switch, bulb control (ND28)	314 A	Relay, bogie lift (MK13,LJ4)	402 R	Bulb, spot lights (CE64)
36 11	Connector, tail lamp junction box (EA6)	1105	Switch, levelling control headlights (PA3)	314 B	Relay, bogie lift (MK21,LJ12)	403	Bulb, loading light (ED4)
36 12	Connector, tail lamp junction box (EG16)	1118	Switch, power take-off-clutch independent (LE11)	314 D	Relay, bogie lift (MD12)	404	Bulb, 5th wheel light (ED8)
41	+ "30" terminal electrical centre (AA24)			315 A	Relay, starting switch (AA27)	405	Bulb, reversing lights (EA7,EA6)
77 1	Plug socket 7-unit (CE3)	1122	Switch, retarder (OG31)	315 B	Relay, starting switch (AA20)	408	Bulb, parking light, left front (CE13)
77 2	Plug socket 7-unit (CE5)	1125	Switch, EDC (BN23)	317	Relay, headlamp wiper (GA27)	409	Bulb, parking light, right front (CE37)
77 3	Plug socket 7-unit (CN4)	1138	Switch, door lock - key (KH16)	323	Relay, flasher unit (CN8)	410	Bulb, brake light, left (CK9)
77 4	Plug socket 7-unit (CK14)	1139	Switch, door lock - sill button (KH7)	331	Relay, eddy-retarder (OD22)	411	Bulb, brake light, right (CK12)
77 5	Plug socket 7-unit (CN14)	200	Break contact, warning light, parking brake (NA5)	343	Relay fog lights, rear (EG6)	412	Bulb, tail light, left (CE7)
77 6	Plug socket 7-unit (CE28)			348	Relay, fan (HA15)	413	Bulb, tail light, right (CE31)
77 7	Plug socket 7-unit (NA21)			360 A	Relay, engage inhibitor, power take-off (LE7)	416	Bulb, side marker light, left, centre (CE17)
78 1	Extra plug socket 7-unit (XA13)	205 L	Break contact, interior light (ER3,ER8,ET8)	360 B	Relay, engage inhibitor, power take-off (LE15)	417	Bulb, side marker light, right, centre (CE40)
78 3	Extra plug socket 7-unit (EA9)	205 R	Break contact, interior light (ET3)	360 C	Relay, engage inhibitor, power take-off (LE24)	418	Bulb, side marker light, left, rear (CE10)
78 4	Extra plug socket 7-unit (XA8)	207 A	Closing contact, indicator light, diff.lock, rear wheels (NG36)	364	Operational controls, bogie lift (MA16,MD30)	419	Bulb, side marker light, right, rear (CE34)
78 7	Extra plug socket 7-unit (EG9)	207 B	Closing contact, indicator light, diff.lock, rear wheels (NG32)	365 D	Relay, electrical window winder, up (KA4)	420	Bulb, position light, roof, left (CE43)
79 1	Plug socket, ABS (OA2)	211	Closing contact, indicator light, bogie lift (MA17,MD23)	366 P	Relay, electrical window winder, up (KA18)	421	Bulb, position light, roof, right (CE20)
79 2	Plug socket, ABS (OA14)			366 P	Relay, electrical window winder, down (KA12)	422	Bulb, dir.indicator, left, front (CN12)
79 3	Plug socket, ABS (OA4)	214	Closing contact, indicator light, splitter (NA8)	375	Relay, electrical window winder, down (KA34)	423	Bulb, dir.indicator, right, front (CN12)
79 4	Plug socket, ABS (OA10)	216	Closing contact, brake lights (OK7)	382	Relay, day running lights (CE31)	426	Bulb, dir.indicator, left, rear (CN6)
79 5	Plug socket, ABS (OA12)	216 B	Closing contact, brake lights (CK3)	3001	Relay, identification lights (CE23)	427	Bulb, dir.indicator, right, rear (CN15)
100	Switch, headlights (CE10)	217	Closing contact, reversing lights (EA4)	3004 A	Time relay, air-operated bogie (MK4)	428	Bulb, rotating warning lamp (EN3)
101	Switch, full beams and dipped beams (CE53)	218	Break contact, exh-pressure governor (BB27)	3004 B	Relay, parking heater (HA31)	429	Bulb, cigarette lighter light (EV8)
102	Switch, fog lights (CG3)	219	Closing contact, indicator light, air cleaner (ND15)	3005	Relay, parking heater (HA37)	433 L	Bulb, step light (ER8,ET8)
103	Switch, spot lights (CE62)			3016	Alternator-controlled relay (CE42)	433 R	Bulb, step light (ER4,ET4)
104	Switch, loading lights (ED4)	223	Slip contact, horn (FA6)		Relay, control device, bogie lift with axle-load limiter (MD19)	434	Bulb, interior light (ER13)
109	Switch, hazard warning lights (CN10)	228	Closing contact, cab lock (ND23)	3017	Time relay, axle-load limiter (MD18,MP2,MS18)	434 L	Bulb, interior light (ET18)
111 D	Switch, window winder (KA18)	232	Break contact, warning light, air conn., trailer (NA17)	3019	Relay box, air suspension (MN18)	434 R	Bulb, interior light (ET13)
111 P	Switch, window winder (KA34)	232	Break contact, warning light, air conn., trailer (NA17)	3020	Relay box, axle-load limiter (MP14)	435 L	Bulb, reading light (ER18,ET28)
116	Switch, interior light	239	Break contact, thermal (HG5)	3023	Relay, information ABS (OA22)	435 R	Bulb, reading light (ER22,ET23)
118	Switch, fan (HA19)	241	Break contact, warning light, emergency air, trailer (NA26)	3024 "1"	Relay, solenoid control valve, ABS (OA14)	435 U	Bulb, reading light (ER27,ET33)
119	Switch, windscreen wiper (GA9)	242	Break contact, warning light, oil pressure, gearbox (ND43)	3024 "2"	Relay, solenoid control valve, ABS (OA21)	437	Bulb, identification light, front (CE23)
120	Switch, windscreen washer (GA3)	247	Closing contact, climate system (air conditioning) (HA3)	3035	Relay, indicator lamp ABS (OA29)	440	Bulb, heater control light (HA11,HA11)
123	Switch, heated rearview mirror (HG14)	258	Break contact, thermal, bogie lift (MA25,MD36)	3036 A	Relay, start solenoid (AA24)	445	Bulb, extra dir.indicator, left (CN8)
125	Switch, exhaust brake (BB11)	2007	Break contact, clutch pedal (BN54,OG23)	3038	Relay, indicator lamp, air suspension (MN34)	446	Bulb, extra dir.indicator, right (CN20)
126	Switch, diff.lock wheels, rear (LG4)	2008	Break contact, brake pedal (BN27)	3048	Relay, dim dip (CE32)	447 A	Bulb, ashtray light (EV12)
127	Switch, diff.lock inter axles (LG12)	301	Relay, fog lights (CG3)	3061	Relay, retarder (OD7,OG6)	447 B	Bulb, ashtray light (EV10)
132	Switch, roof sign light (EK4)	302	Relay, spot lights (CE61)	3063	Relay, exhaust brake (OG29)	450	Bulb, rear fog light, left (EG16)
133	Switch, bogie lift	303	Relay, loading lights (ED4)	3064 C	Relay, speed indicator lamps (LC24)	451	Bulb, rear fog light, right (EG16)
144	Switch, battery master switch (AA4)			3064 L	Relay, speed indicator lamps (LC24)	468 L	Flourescent tube, roof lighting (EK14)
						468 R	Flourescent tube, roof lighting (EK14)
						4063 C	Flourescent tube, roof lighting (LC33)
						4063 L	Bulb, speed indicator (LC31)

LIST OF COMPONENTS

4063 R	Bulb, speed indicator (LC35)	653	Headlamp washer motor (GA32)	762	Oil temperature sender, gearbox (NK34)	9008	Control unit, ABS (OA19)
500	Indicator light, dir.indicator, tractor (NA19)	654	Starter motor (AA12)	7006	Trimmeter (NA13)	9009	Control box, air suspension, rigids (MN2)
501	Indicator light, dir.indicator, trailer 1 (NA11)	656	Bogie lift motor (MA26,MD38)	7052	Sender, speedometer (NG24)	9010	Control box, air suspension, tractors (MN2)
503	Warning light, oil pressure, engine (ND27)	657	Fan (heater) (HA14)	7053	Inductive sender, bogie lift (MD27,MK22,MN19)	9011	Control unit, speed limiter (BK16)
504	Indicator light, full beams (NA12)	658	Alternator, extra (AA22)	7055	Sender, exhaust temperature (NK24)	9054	Control unit, retarder (OG20)
505	Warning light, battery charging (ND34)	661	Window winder motor (KA26,KA8)	7056	Sender, oil temperature engine (NK15)	9058	Control unit, el throttle (BNA)
506	Warning light, battery charging, extra alternator (ND7)	6001	Solenoid valve, level valve (MN39)	7057 LF	Sensor, pole wheel, ABS (OA33)	9060	Control unit, speed indicator lamp (LC18)
507	Warning light, service brakes (ND37)	6003	Solenoid valve, level control (MN17,MN22)	7057 LR	Sensor, pole wheel, ABS (OA49)		
508	Warning light, parking brake (NA5)	6004	Solenoid valve, level control (MN12,MN27)	7057 RF	Sensor, pole wheel, ABS (OA41)		
509	Warning light, coolant (ND26)	6011	Solenoid valve, blocking trailing axle (MP21,MS18)	7057 RR	Sensor, pole wheel, ABS (OA57)		
510	Indicator light, diff.lock, rear wheels (ND17)	6012	Solenoid valve, draining trailing axle (MP20,MS17)	7059	Sender, outer temperature (NK37)		
511	Indicator light, diff.lock, shafts (ND18)			7060	Sender, temperature retarder (OG13)		
514	Indicator light, overdrive (NA8)			7061	Sender, oil pressure (NA50)		
524	Indicator light, air cleaner (ND9)	6013 LF	Solenoid control valve, ABS (OA37)	7065	Sensor, accelerator pedal (BN18)		
526	Indicator light, eddy-retarder (OD33)	6013 LR	Solenoid control valve, ABS (OA53)	7066	Sensor, turbo pressure (BN15)		
528	Indicator light, preheating (ND46)	6013 RF	Solenoid control valve, ABS (OA45)	7067	Sensor, inlet air temperature, engine (BN8)		
541	Warning light, gearbox temperature (ND39)	6013 RR	Solenoid control valve, ABS (OA61)	800	Starting heater (BB5)		
547 R	Central warning for indicator and warning lights (NA36)	6018	Solenoid valve, retarder (OG18)	802 LL	Heated rearview mirror (HG17)		
		6019 L	Solenoid valve, drive axle load - increase (MV5)	802 LU	Heated rearview mirror (HG14)		
547 Y	Central warning for indicator and warning lights (NA38)	6019 R	Solenoid valve, drive axle load - increase (MV11)	802 RL	Heated rearview mirror (HG23)		
549	Warning light, oil pressure, gearbox (ND43)			802 RU	Heated rearview mirror (HG20)		
550	Warning light, cab lock (ND24)			803 A	Heated seat (HG5)		
5007	Indicator lamp, bogie press (ND21)	6023	Solenoid valve, fuel shut-off (BN4)	803 B	Heated seat (HG10)		
5008	Indicator lamp, air suspension, manual position (ND13)	6056 L	Engine, levelling control headlights (PA2)	804	Cigarette lighter (EV6)		
5009	Indicator lamp, vehicle, ABS (ND48)	6056 R	Engine, levelling control headlights (PA6)	805	Rheostat (NG48)		
5010	Indicator lamp, trailer, ABS (ND51)	6064	Engine, speed limiter (BK4)	807	Eddy-retarder control (OD19)		
5017	Indicator lamp, retarder (OG22)	6069	Motor, door lock (KH10)	810	Heated air dryer (HG27,HG29)		
5022	Indicator lamp, cruise control (BN31)	700	Speedometer (NG3)	850	Horn (FA6)		
5025	Indicator lamp, speed indicator (LC4)	701	Tachograph (NG15)	853	Buzzer (NG40)		
5030	Indicator lamp, city filter (ND54)	702 A	Combined instrument (NA3)	859	External alarm communications radio (JA17)		
600	Solenoid valve, exh.brake (BB11)	702 B	Combined instrument (NA42)	8001	Inductor, sign lighting (EK9)		
601	Solenoid valve, diff.lock, rear wheels (LG4)	702A,12	Combined instrument (NA20)	8006	Air dryer with time relay (HG24)		
602	Solenoid valve, diff.lock, inter axles (LG8)	702A,13	Combined instrument (NA21)	900	Radio (JA6)		
603	Solenoid valve, engine stop (BG3)	702B,10	Combined instrument (NA56)	901	Voltage converter (JA6)		
604	Solenoid valve, power take-off, side (LD5,LE15)	702B,9	Combined instrument (NA54)	902 C	Loudspeaker (JA3)		
		702 C	Combined instrument (NK6)	902 L	Loudspeaker (JA6)		
606	Solenoid valve, bogie lift, up (LU14,MA9,MD14,MG10,MK15)	703	Tachometer (NA32)	902 R	Loudspeaker (JA9)		
607	Solenoid valve, bogie lift, down (MG4,MK4)	704 A	Pressure gauge, air (NA25)	903	Diode (BB5,CK2,EG6,EG4,MA5,MD9,MP18,MS30)		
614	Solenoid valve, range inhibitor (BB30)	704 B	Pressure gauge, air (NA28)	903 LA	Diode (MS15)		
626	Solenoid valve, exh.pressure governor (BB26)	705	Pressure gauge, oil (NA52)	903 LB	Diode (MS18)		
640	Gear valve, lock, rear steer axle (LJ23)	706	Thermometer, coolant temp.gauge (NA6)	903 LC	Diode (MS21)		
646	Solenoid valve, air-operated bogie	707	Fuel gauge (NA20)	905	Communications radio (JA15)		
648	Solenoid valve, rear steer axle (LJ23) (MP24,MS14)	710	Timer, engine/cab heater (HA48)	950	Electric coils, eddy-retarder (OD3)		
650	Windscreen wiper motor (GA9)	713	Voltmeter (NA44)	952	Magnetic clutch, air conditioning (HA3)		
651	Windscreen washer motor (GA3)	754	Pressure sender air (MN31)	961	Engine/cab heater (HA46)		
652 L	Headlamp wiper motor (GA18)	754 F	Pressure sender air (NK41)	971 LL	Lock, seat belt (KD5)		
652 R	Headlamp wiper motor (GA27)	754 R	Pressure sender air (NK44)	971 LU	Lock, seat belt (KD9)		
		756	Temperature sender, coolant (BB15)	971 RL	Lock, seat belt (KD13)		
		757	Temperature sender, coolant (BN12)	971 RU	Lock, seat belt (KD17)		
		759	Fuel gauge sender (NK30)		Pressure sensor, bogie lift (LJ4,MP9,MS27)		
			Level indicator, coolant (BB30)	9001			

ABBREVIATIONS

D:	Driver
P:	Passenger
C:	Centre
F:	Front
L:	Lower
U:	Upper
L:	Left
R:	Right
LR:	Left rear
LF:	Left front
LL:	Left lower
LU:	Left upper
RR:	Right rear
RF:	Right front
RL:	Right lower
RU:	Right upper
LH:	Long cab
KH:	Short cab
LHH:	Long cab high
KHH:	Short cab high
A-pillar	A-pillar
Alt.position	Alternative location
ATC	Automatic air conditioning
BGT19	Bogie load 19 tonnes
BLF-F	Leaf springs, front
CU-HEAT	Cab heater
"EG"	EC-markets
HB3200	Wheelbase 3200 mm
ID-light	ID-light
INFOSYST	Driver Information System
KONVSYST	Standard information system
LVA	Load volume adapted
Not HB3200	Not wheelbase 3200 mm
Rheostat	Rheostat
Robson drive	Trailing wheel drive
"S"	Sweden + other markets
UFSKR	Without tachograph

CABLE COLOURS

PU	= Purple
GN	= Green
Y	= Yellow
W	= White
BL	= Blue
GR	= Grey
SB	= Black
BN	= Brown
R	= Red
LBN	= Light brown
OR	= Orange
VO	= Violet
P	= Pink
I	= Ivory
LBL	= Light blue

If a cable has two colours, this is written out like the following example:

Ex:	Abbreviation	Colour
	Y/R	Yellow/Red